

UK

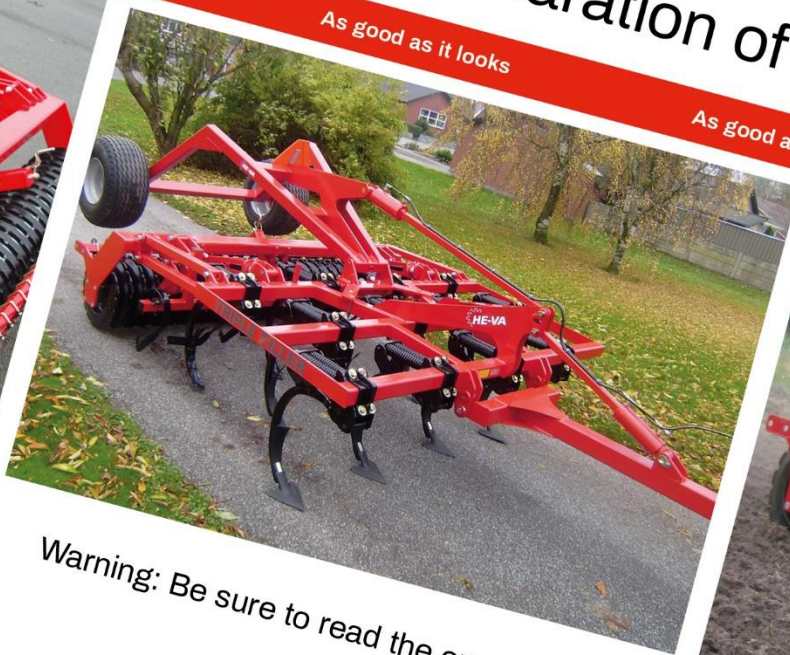
# HE-VA

Operating Instructions  
Spare Parts List  
Declaration of Conformity

as it looks



As good as it looks



As good as it looks

As good as it looks



As good as it looks

Warning: Be sure to read the operation instructions before using the machine.

## Triple-Tiller

Rigid: 3.00 m - 3.50 m - 4.00 m



N. A. Christensensvej 34  
DK-7900 Nykøbing Mors

Tel: 97724288  
[www.he-va.com](http://www.he-va.com)

## Table of contents

|  |           |
|--|-----------|
| <b>EC DECLARATION OF CONFORMITY .....</b>          | <b>3</b>  |
| <b>Machine description .....</b>                   | <b>4</b>  |
| Range of application .....                         | 4         |
| Technical specifications.....                      | 5         |
| <b>Delivery check .....</b>                        | <b>6</b>  |
| Preparation of the machine .....                   | 6         |
| <b>Safety instructions .....</b>                   | <b>7</b>  |
| <b>Safety and instructions for hydraulics.....</b> | <b>8</b>  |
| <b>Labels on the machine .....</b>                 | <b>9</b>  |
| <b>Start-up.....</b>                               | <b>10</b> |
| General information.....                           | 10        |
| Attachment (rigid lift-mounted machines) .....     | 10        |
| Uncoupling (rigid lift-mounted machines) .....     | 10        |
| Attachment (rigid trailed machines) .....          | 10        |
| Uncoupling (rigid trailed machines).....           | 10        |
| <b>Settings and adjustment.....</b>                | <b>11</b> |
| Roller depth adjustment.....                       | 11        |
| Scraper .....                                      | 11        |
| <b>Maintenance .....</b>                           | <b>12</b> |
| Lubrication .....                                  | 13        |
| <b>Spare parts .....</b>                           | <b>14</b> |
| Frame 3m, 3,5m and 4m (rigid).....                 | 14        |
| Trailed kit 3m, 3,5m and 4m (rigid) .....          | 16        |
| Roller bar 3m, 3,5m and 4m (rigid).....            | 18        |
| Roller 3m, 3,5m and 4m (rigid) .....               | 20        |
| Scraper .....                                      | 22        |
| Tine/point.....                                    | 24        |
| Levelling bar.....                                 | 32        |
| Eradicator disc .....                              | 34        |
| Edge equipment .....                               | 36        |
| Support wheels.....                                | 38        |
| Led-Light.....                                     | 40        |
| <b>Hydraulics .....</b>                            | <b>41</b> |
| Trailed kit 3m – 3.5 m – 4m .....                  | 41        |
| Roller bar 3m, 3,5m, 4,0m.....                     | 42        |
| <b>Notes.....</b>                                  | <b>43</b> |



## EC DECLARATION OF CONFORMITY

in accordance with the EU Machinery Directive 2006/42/EC  
applicable as from December 29<sup>th</sup> 2009:

HE-VA ApS  
N. A. Christensensvej 34,  
DK-7900 Nykøbing Mors

hereby confirms that the following machine has been manufactured in accordance with the Council  
Directive 2006/42/EC.

In addition, the following harmonized EU standard has been used:  
ISO 12100 Machine safety, general design principles, risk assessment and risk reduction.

The declaration comprises the following machines:

### **Triple-Tiller**

3,0m / 3,5m / 4,0m (rigid)

Nykøbing the 01th of October 2011

  
Villy Christiansen

The undersigned is furthermore authorised to compile technical documentation for the above  
machine. The design is subject to modification without notice.

## **Machine description**

### **Range of application**

HE-VA Triple-Tiller stubble harrow is available in 3m, 3,5m and 4m working width as rigid models and 4 m and 5 m working width with hydraulic folding (transport width 3,00 m). All models are available as lift-mounted or trailed with a row spacing of only 25 cm. The 3 rows of tines are mounted on a solid frame at a height of 85 cm and with 70 cm interval. The tine spacing is 75 cm.

Triple-Tiller is supplied standard with 75x12 mm reversible and adjustable wearing points, and the unique double-spring tine, preloaded for 455 kg. The "Quick change system" is available as extra equipment, and with the choice of of others chisel. Behind the harrow section, the Triple-Tiller has disc eradicators – or the optional tine eradicator - both with centre spindle adjustment. There are 5 choices for rear-mounting: ø550 mm square tube roller, ø600 mm T-profile roller, ø600 mm V-profile roller, ø600 mm U-profile roller or Ø600 mm Waveroller.

**Technical specifications**

| <b>Lift-mounted</b>          |                        |             |             |
|------------------------------|------------------------|-------------|-------------|
| Model                        | <b>3,0m</b>            | <b>3,5m</b> | <b>4,0m</b> |
| Working width                | 3,0m                   | 3,5m        | 4,0m        |
| Transport width              | 3,0m                   | 3,5m        | 4,0m        |
| Machine length               | 3,6m                   | 3,6m        | 3,6m        |
| Power requirement            | 100-200 HP             | 120-240 HP  | 140-250 HP  |
| No. of double-acting outlets | 0                      | 0           | 0           |
| No. of tines                 | 12 pcs.                | 14 pcs.     | 16 pcs.     |
| <b>Weight:</b>               |                        |             |             |
| Square tube roller           | 1850 kg                | 2135 kg     | 2420 kg     |
| T- profile roller            | 2200 kg                | 2545 kg     | -           |
| V- profile roller            | 2470 kg                | 2860 kg     | 3300 kg     |
| U- profile roller            | 2100 kg                | 2540 kg     | 3010 kg     |
| Waveroller                   | -                      | -           | -           |
| <b>Trailed</b>               |                        |             |             |
| Model                        | <b>3,0m</b>            | <b>3,5m</b> | <b>4,0m</b> |
| Working width                | 3,0m                   | 3,5m        | 4,0m        |
| Transport width              | 3,0m                   | 3,5m        | 4,0m        |
| Machine length               | 6,7m                   | 6,7m        | 6,7m        |
| Power requirement            | 100-200 HP             | 120-240 HP  | 140-250 HP  |
| No. of double-acting outlets | 1                      | 1           | 1           |
| No. of tines                 | 12 pcs.                | 14 pcs.     | 16 pcs.     |
| <b>Weight:</b>               |                        |             |             |
| Square tube roller           | 2430 kg                | 2715 kg     | 3090 kg     |
| T- profile roller            | 2780 kg                | 3125 kg     | -           |
| V- profile roller            | 3050kg                 | 3440 kg     | 3900 kg     |
| U- profile roller            | 2700 kg                | 3100 kg     | 3615 kg     |
| Waveroller                   | -                      | -           | -           |
| Wheels                       | 11,5/80 x 15,3 – 10PLY |             |             |
| Tyre pressure                | 4 bar / 60 p.s.i.      |             |             |
| Hydraulic pressure (minimum) | 190 bar                |             |             |
| Oil type                     | Hydro Texaco HD32      |             |             |
| Voltage                      | 12 volt                |             |             |
| Working speed                | 6-12 km/h              |             |             |

Triple-Tiller is in conformance with DS/ISO 11001-1, three-point mounted.

## Delivery check

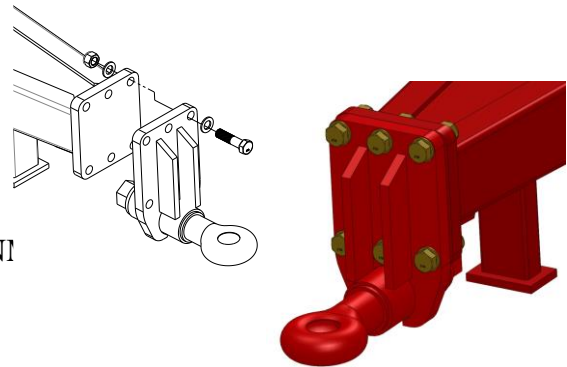
### Preparation of the machine

Check :

- the machine for any damages.
- for transport damage to the paint.
- hydraulic hoses for cuts and other damage. Check that none of the other hydraulics components were damaged during transport.
- that the frame has not been damaged.
- that the transport wheels are secure and in good condition.
- air pressure level according to technical specifications.
- that all wearing points are intact.
- that all distance clips for depth adjustment are included.
- that all light systems are in working order (if any such system is mounted).

Check the torque:

- wheel bolts 386 NM
- mounting plate for towing eye 6 pcs bolts 541 Nm



Check machine functioning (tractor needed):

- raising – lowering – hydraulic unfolding
- spindle adjustable levelling discs / levelling tines
- spindle adjustable support wheels
- rollers / scrapers

## **Safety instructions**

Do not start-up the machine if there are persons in exposed positions\*\* within a hazardous area\*.

When persons are in exposed positions (e.g. in connection with adjustment, maintenance, attachment and uncoupling), the following conditions must be observed:

1. The machine must be lowered to firm ground.
2. The hydraulics must be relieved.
3. The tractor must be stopped and the key removed from the ignition switch.
4. The driver must ensure that no persons are staying in exposed positions during the operation.

\* Hazardous area: On and under the machine within a distance of 10 m from the machine.

\*\* Person in exposed position: Any person who is staying wholly or partly within a hazardous area.

Most accidents that happen in connection with the operation, transport and maintenance of machines are caused by non-compliance with the most elementary safety conditions.

Therefore it is vital that anybody working at the machine carefully complies with the safety instructions as well as other instructions applying to the machine.

The machine may only be operated, maintained and repaired by persons, who are familiar with this work and who are further familiar with the possible elements of danger with this particular machine.

**ATTENTION !! Rotary parts and loose clothes are a dangerous combination.**

**IMPORTANT !! In connection with the risk of parts falling down, it may endanger the lives of persons staying on the base frame of the machine, when it is operated attached to a tractor.**

## **Safety and instructions for hydraulics**

1. The maximum working pressure is 225 bar.
2. It is advisable to label the attachment parts at hydraulic connections between the tractor and the tool in order to eliminate incorrect operation!
3. When checking for hydraulic leaks, use suitable safety wear (eye protectors, gloves, etc.)  
High-pressure hydraulic oil may penetrate the skin and cause dangerous injuries.  
In case of injury, consult a doctor immediately. **RISK OF INFECTION!**
4. Before operating the hydraulics, lower the machine to firm ground. Relieve the hydraulics, stop the motor and remove the ignition key.
5. Check the hydraulic hoses on a regular basis, however, every six months as a minimum due to any cracks, wear and tear, etc. Replace any defective hoses immediately.

The life of hydraulic hoses is maximum 5 years.

New hydraulic hoses must meet the manufacturer's requirements.

### **TRANSPORT ON PUBLIC ROADS:**

Check before transport on public roads that the attachment of the machine at the tractor is in accordance with the local rules and regulations in force (permitted total weight, permitted axle load, transport width, lights, warning signs, brakes etc.).

### **FRONT AXLE LOAD:**

After the attachment of the machine and at maximum load, the driving properties of the tractor must be ensured. Check that the front axle is sufficiently loaded. As a minimum, the front axle load must be 20% of the tractor weight. Permitted axle load and permitted total weight for the tractor must always be observed.

**NB! The driving, controlling and braking properties are affected by the attached machine combination.**



## Labels on the machine



Study the safety instructions carefully before operating the machine, and observe all safety precautions.



Plate with number and year of manufacture.

### **IMPORTANT!**

All bolts must be tightened after the first few hours of operation, otherwise our guarantee will not apply.

### **IMPORTANT!**

Resserrer tous les boulons et écrous après la première mise en marche. Le cas échéant nos obligations de garantie seront à considérer comme nulles.

### **WICHTIG!**

Alle Muttern nach kurzem Gebrauch nachziehen. Bei Nichtbeachtung entfallen Gewährleistungsansprüche.

### **VIGTIGT!**

Efterspænd alle møtrikker efter kort tids brug. Hvis dette ikke overholdes, bortfalder vore garantiforpligtelser.

Tighten up all bolts regularly.  
If this is not done, our warranty obligations will no longer apply

## **Start-up**

### **General information**

Rigid models require 0 – 1 double-acting oil outlets (see technical specifications p. 5)

### **Attachment (rigid lift-mounted machines)**

1. Reverse the tractor to the machine and attach it.
2. Lift the machine to maximum transport height.

### **Uncoupling (rigid lift-mounted machines)**

1. Lower the machine onto level, firm ground, and release all hydraulic hoses.
2. Lower the support leg.
3. The machine may now be uncoupled.

### **Attachment (rigid trailed machines)**

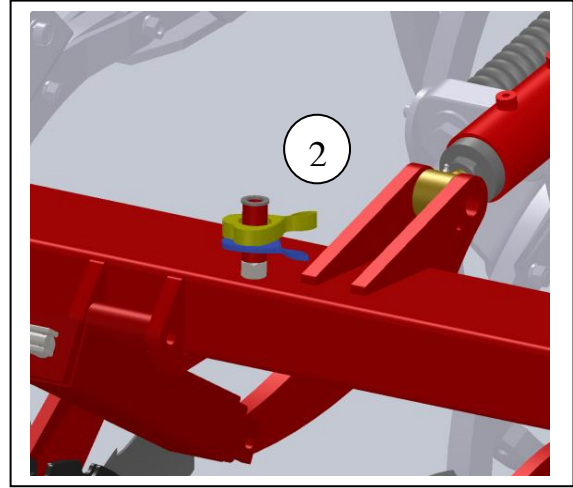
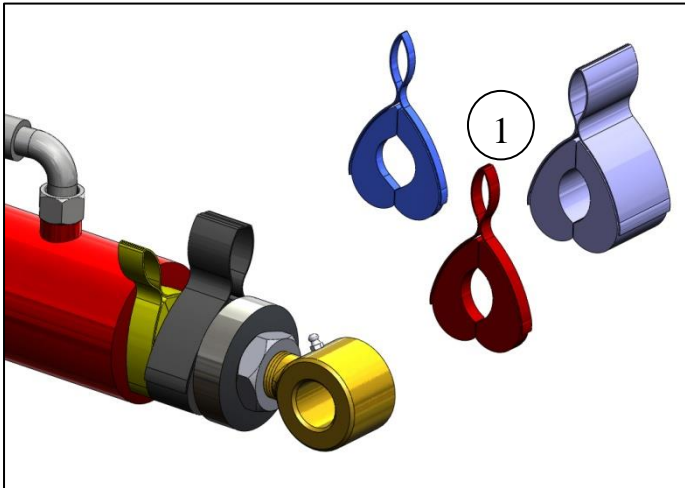
1. Reverse the tractor to the machine.
2. Fasten all hydraulic hoses on the tractor outlets.
3. Apply pressure to the drawbar-wheel cylinder until the drawbar reaches the right height.
4. Reverse the tractor and attach the machine.
5. Lift the machine to maximum height and lift the support leg.

### **Uncoupling (rigid trailed machines)**

1. Lower the machine onto level, firm ground.
2. Lower the support leg.
3. Adjust the drawbar-wheel cylinder (red), so that the drawbar pin is loosened
4. The machine may now be uncoupled.
5. Move the tractor slightly forward to release all hydraulic hoses.

## Settings and adjustment

### Roller depth adjustment



The machine is delivered including coloured distance clips (pos. 1)

These clips are easily removed by hand to adjust the working depth of the roller.

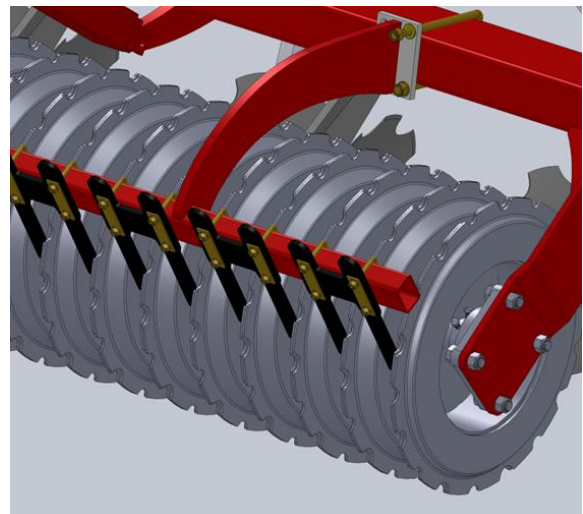
When not in use, excess clips may be put on the tube (pos. 2).

### Scraper

Triple-Tiller is fitted with scrapers of special steel in between the rings of the V-profile roller, U-profile roller and Waveroller.

Check their centering daily, so they do not wear unnecessarily, and to ensure optimal effect.

The correct height adjustment is 1-2 mm from the bottom of the roller.



## Maintenance

- After the first 10 hours of operation, all bolts must be tightened, (see torque diagram, page 9). Hoses, fittings and cylinders must be checked for possible leaks and further tightened.
- Check regularly that all bolts are tightened.
- After the season all lubricating points must be lubricated, then wash and lubricate the machine. Do not use high-pressure water directly on ball bearings. After washing it, you may spray the machine with a rust preventive oil.

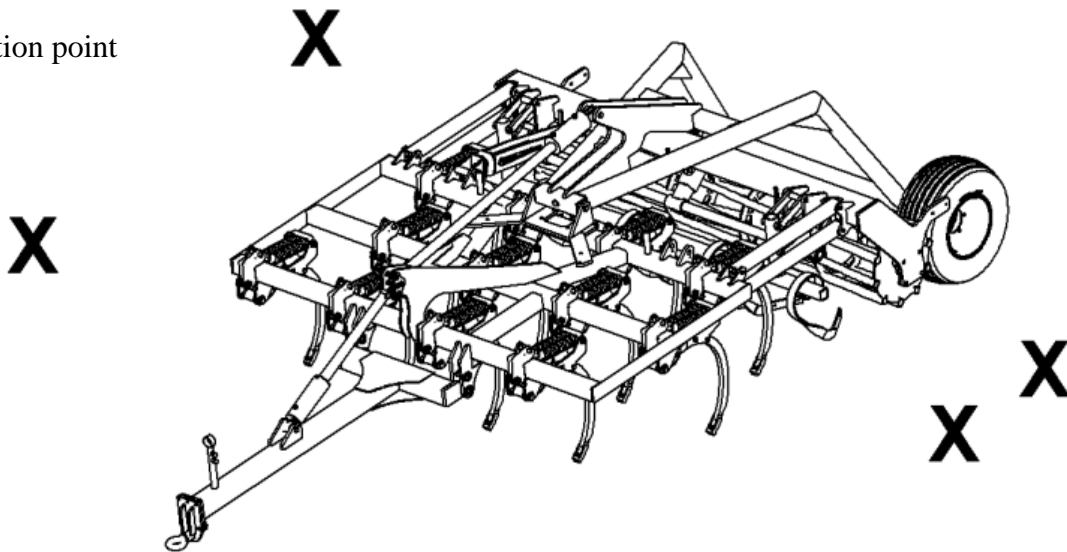
| <b>Maximum torque in Nm. w/lubricated thread</b> |             |              |              |
|--|-------------|--------------|--------------|
| Metric thread                                    | Quality 8.8 | Quality 10.9 | Quality 12.9 |
| M10x1,5  | 47          | 65           | 79           |
| M12x1,75   | 81          | 114          | 136          |
| M14x2,0  | 128         | 181          | 217          |
| M16x2,0  | 197         | 277          | 333          |
| M18x2,5  | 275         | 386          | 463          |
| M20x2,5  | 385         | 541          | 649          |
| M22x2,5  | 518         | 728          | 874          |
| M24x3,0  | 665         | 935          | 1120         |
| Wheel bolt M18x1,5 fine thread                   |             | 385          |              |
| Wheel bolt M22x1,5 fine thread                   |             | 550          |              |

## Lubrication

When lubricating, maintaining and repairing the Triple-Tiller, always lower the machine, brake the tractor and stop the engine.

The typical lubricating points are: by the roller, spindle, side section and the arms of the roller bar. The lubricating points must be lubricated after 10 hours of operation, and before/after cleaning in order to drive out any water or dirt. The lubricating points are placed by movable parts, as well as by the ball bearings and cylinders.

**X** = Lubrication point



### **NOTE!**

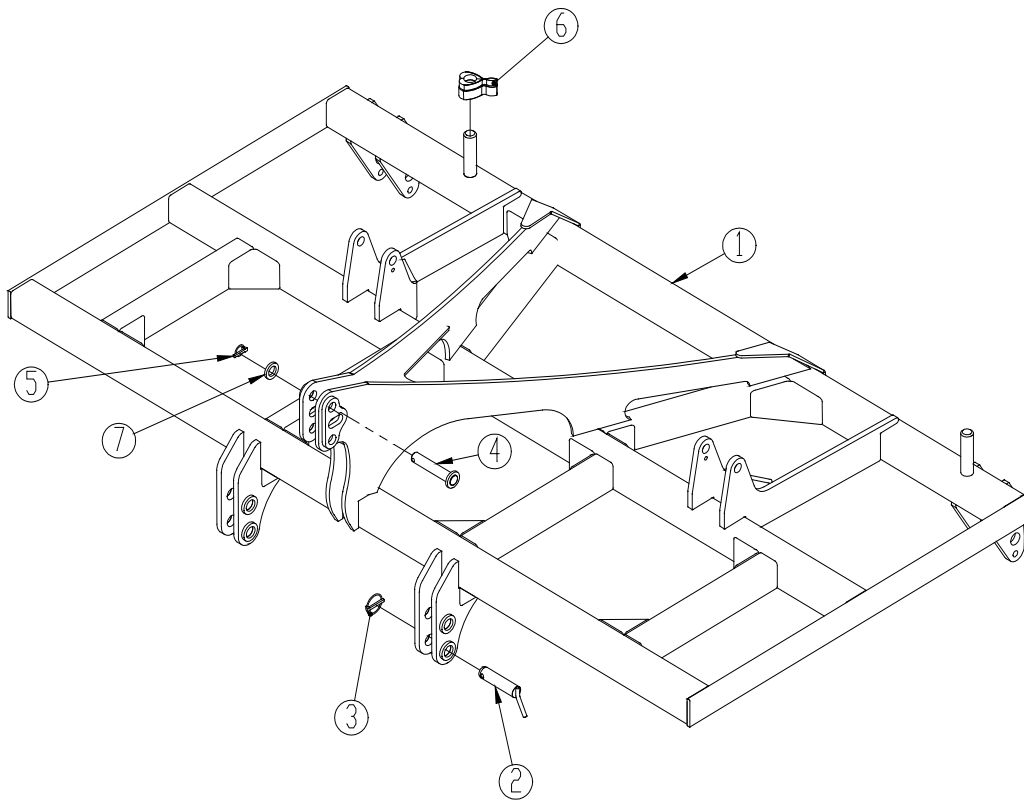
The double density ball bearings in the roller should only be lubricated every 20 hours, and with 1-2 strokes so as not to press out the sealing rings.

### **IMPORTANT!**

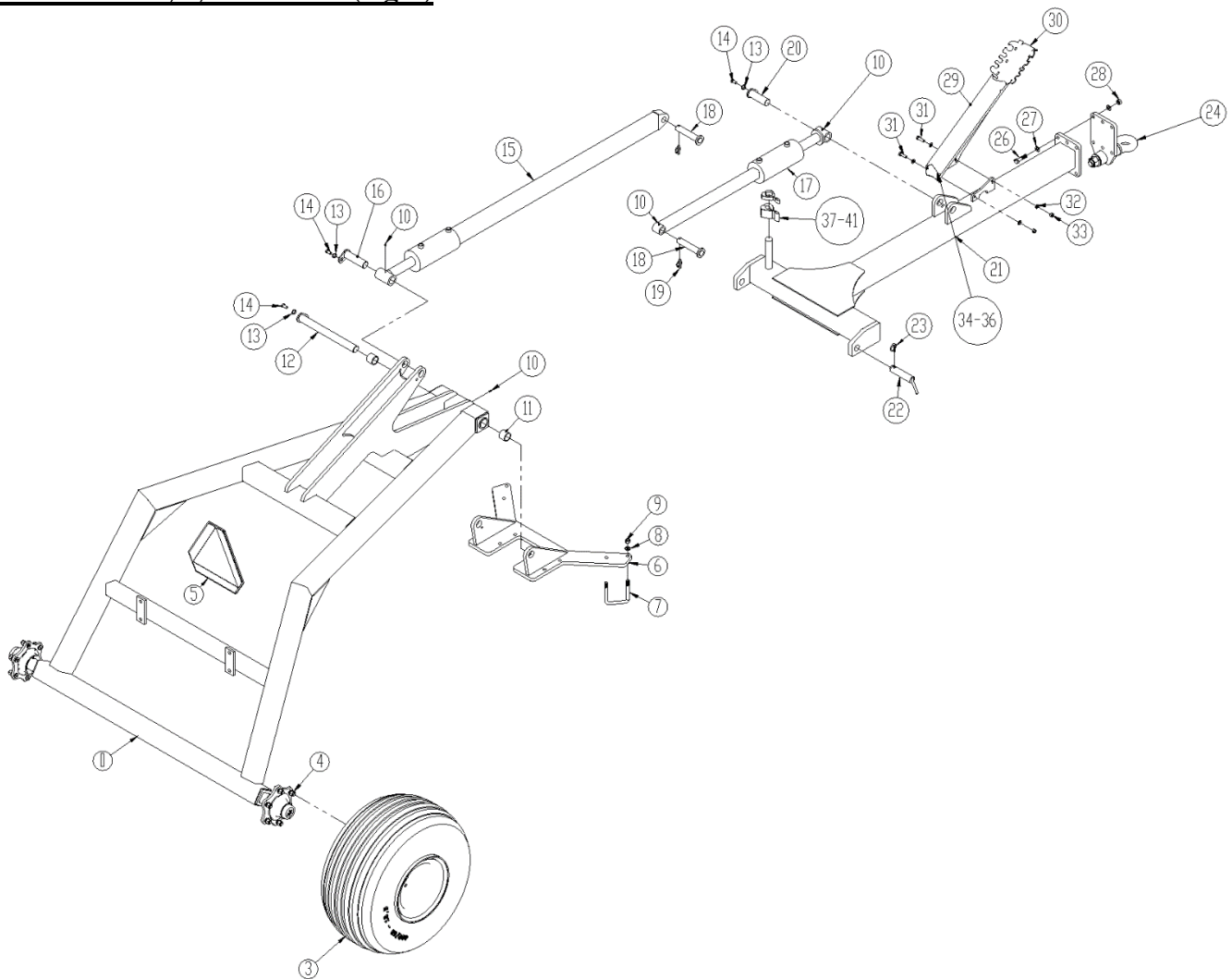
The hydraulic system is filled with oil type Hydro Texaco HD32

## Spare parts

### Frame 3m, 3,5m and 4m (rigid)



| <b>Pos.</b> | <b>Item no.</b> | <b>Designation</b>            | <b>3 m</b> | <b>3.5 m</b> | <b>4,0m</b> |
|-------------|-----------------|-------------------------------|------------|--------------|-------------|
| 1           | 1160097         | Frame                         | 1          |              |             |
|             | 1160149         | Frame                         |            | 1            |             |
|             | 1160962         | Frame                         |            |              | 1           |
| 2           | 1140600         | Pin Ø37x150                   | 2          | 2            |             |
| 3           | 0378650         | Ring split Ø10x42             | 2          | 2            | 2           |
| 4           | 1140361         | Pin Ø32x175                   | 1          | 1            | 1           |
| 5           | 0378600         | Ring split Ø11x40             | 1          | 1            | 1           |
| 6           | 690200664       | Distance clip 6.2 mm, blue    |            |              |             |
|             | 690200665       | Distance clip 9.4 mm, red     |            |              |             |
|             | 690200666       | Distance clip 18.8 mm, yellow |            |              |             |
|             | 690200667       | Distance clip 31.6 mm, black  |            |              |             |
|             | 690200668       | Distance clip 50.8 mm, silver |            |              |             |
| 7           | 1069950         | Disc Ø33                      | 1          | 1            | 1           |

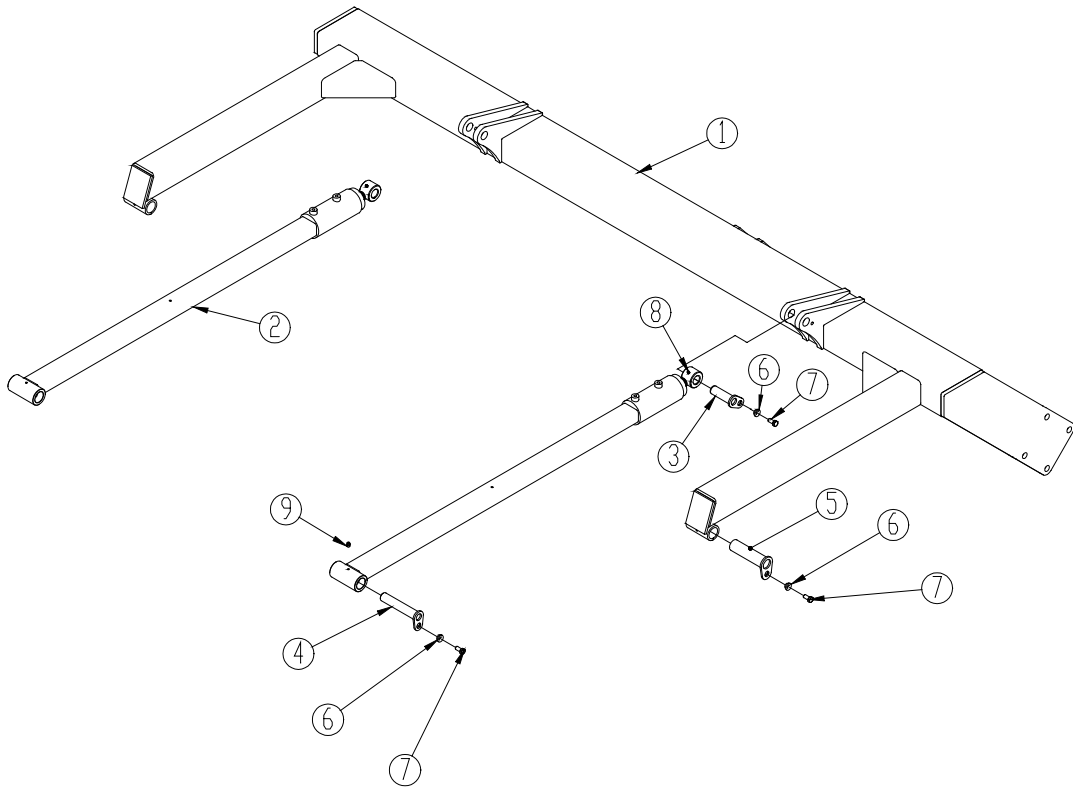
**Trailed kit 3m, 3,5m and 4m (rigid)**


| Pos. | Item no.  | Designation                                 | No. |
|------|-----------|---|-----|
| 1    | 1160182   | Wheel frame                                 | 1   |
| 3    | 0396100   | Wheel (complete) 11.5/80x15.3 (3,0 og 3,5m) | 2   |
|      | 0396100   | Wheel (complete) 400/60x15.5 (4,0m)         | 2   |
| 4    | 690141030 | <b>Hub 2500 kg</b>                          |     |
|      | 0396420   | Sealing ring                                |     |
|      | 690140105 | Bearing 30208                               |     |
|      | 690140111 | Bearing 30211                               |     |
|      | 0396470   | Hub nut                                     |     |
|      | 0396460   | Hub bolt                                    |     |
|      | 0396490   | Hub cap                                     |     |
|      | 0396480   | Castellated nut                             |     |
| 5    | 0521010   | Warning triangle with bracket               | 1   |
| 6    | 1160119   | Bracket                                     | 1   |
| 7    | 0382160   | U-bolt M16 100x100                          | 6   |
| 8    | 0272290   | Facet plate M16                             | 16  |
| 9    | 0264090   | Self-locking nut M16                        | 8   |



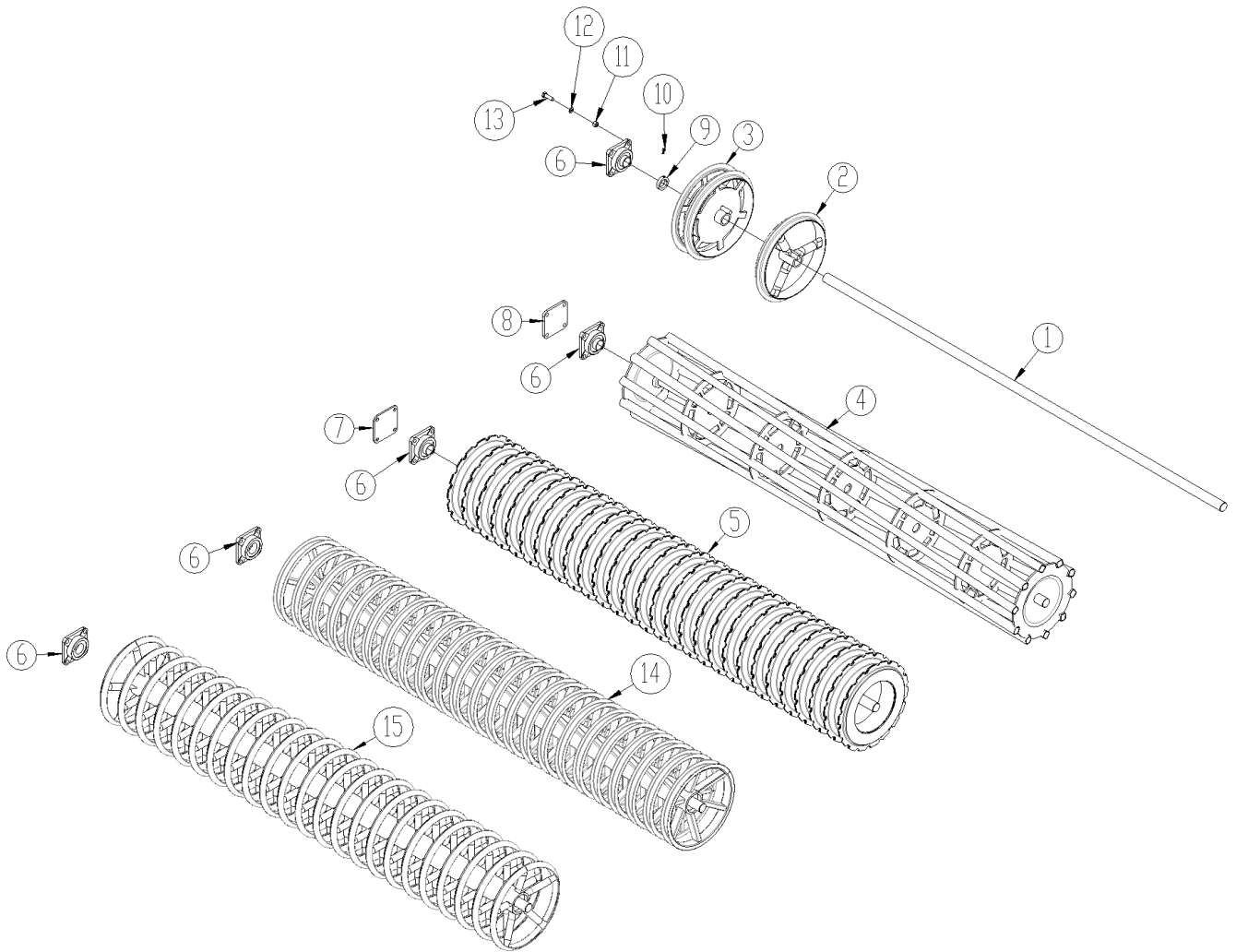
| Pos. | Item no.  | Designation                        | No.     |
|------|-----------|------------------------------------|---------|
| 10   | 0432100   | Lubricating nipple M6              | 2       |
| 11   | 0475330   | Bush EG Ø50/40x40mm.               | 2       |
| 12   | 1160174   | Pin Ø40x420                        | 1       |
| 13   | 630532600 | Lock bush                          | 3       |
| 14   | 0235330   | Steel set screw M12x25             | 3       |
| 15   | 1160178   | Hydr. cylinder                     | 1       |
| 16   | 1160172   | Pin Ø40x145                        | 1       |
| 17   | 1160414   | Hydr. cylinder                     | 1       |
| 18   | 1140361   | Pin Ø30x175                        | 2       |
| 19   | 0378600   | Ring split Ø11x40                  | 2       |
| 20   | 1145309   | Pin Ø40x125                        | 1       |
| 21   | 1160124   | Towing bar                         | 1       |
| 22   | 1140600   | Pin Ø37x150                        | 2       |
| 23   | 0378650   | Ring split Ø10x42                  | 2       |
| 24   | 630757028 | Draw unit w/pivotal towing eye Ø50 | (END) 1 |
|      | 630757017 | Draw unit w/pivotal towing eye Ø50 | 1       |
| 26   | 690103130 | Bolt M16x70 10.9                   | (END) 6 |
|      | 690103173 | Bolt M20x70 10.9                   | 6       |
| 27   | 0272290   | Facet plate M16                    | (END)   |
|      |           | Facet plate M20                    |         |
| 28   | 0264090   | Self-locking nut M16               | (END)   |
|      |           | Self-locking nut M20               |         |
| 29   | 7345003   | Screen for parking device          | 1       |
| 30   | 7345004   | Parking device                     | 1       |
| 31   | 0235360   | Bolt M12x40                        | 2       |
| 32   | 0272270   | Facet plate Ø12                    |         |
| 33   | 0264070   | Self-locking nut M12               |         |
| 34   | 0246060   | Carriage bolt M6x16                | 4       |
| 35   | 0272240   | Facet plate Ø6                     |         |
| 36   | 0264040   | Self-locking nut M6                |         |
| 37   | 690200664 | Distance clip, 6.2mm, blue         |         |
| 38   | 690200665 | Distance clip, 9.4mm, red          |         |
| 39   | 690200666 | Distance clip, 18.8mm, yellow      |         |
| 40   | 690200667 | Distance clip, 31.6mm, black       |         |
| 41   | 690200668 | Distance clip, 50.8mm, silver      |         |

**Roller bar 3m, 3,5m and 4m (rigid)**



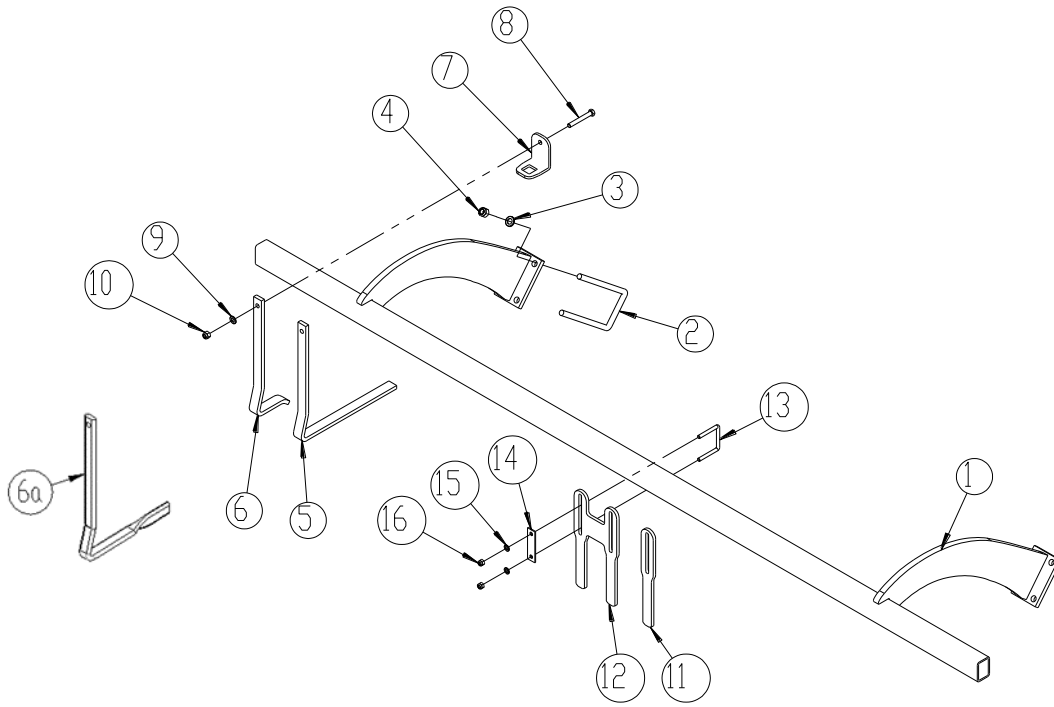
| Pos. | Item no.  | Designation                              | 3 m | 3.5 m | 4,0m |
|------|-----------|--|-----|-------|------|
| 1    | 1160103   | Levelling bar                            | 1   |       |      |
|      | 1160403   | Levelling bar<br>(until machin.no 37701) |     | 1     |      |
|      | 1161109   | Levelling bar<br>(from machin.no 37702)  |     | 1     |      |
|      | 1160963   | Levelling bar                            |     |       | 1    |
| 2    | 1160486   | Cylinder                                 | 2   | 2     | 2    |
| 3    | 69430095G | Pin Ø30 L=95                             | 2   | 2     | 2    |
| 4    | 1160155   | Pin Ø30 L=165                            | 2   | 2     | 2    |
| 5    | 69440165G | Pin Ø40 L=165                            | 2   | 2     | 2    |
| 6    | 630532600 | Lock bush for pin head                   | 6   | 6     | 6    |
| 7    | 0235330   | Bolt M12x25mm 8.8                        | 6   | 6     | 6    |
| 8    | 690136001 | Lubricating nipple M6                    | 2   | 2     | 2    |
| 9    | 0432510   | Lubricating nipple M8                    | 2   | 2     | 2    |

**Roller 3m, 3,5m and 4m (rigid)**



| Pos. | Item no.  | Designation                               | 3m. | 3,5m. | 4,0m |
|------|-----------|---|-----|-------|------|
| 1    | 678612935 | Axle Ø60x2935                             | 1   |       |      |
|      | 678613435 | Axle Ø60x3435                             |     | 1     |      |
| 2    | 1069111   | T-profile ring                            | 20  | 24    | -    |
| 3    | 1048100   | T-profile ring – wide+narrow ring         | 2   | 2     | -    |
| 4    | 1048240   | Square tube roller Ø550                   | 1   |       |      |
|      | 1048280   | Square tube roller Ø550                   |     | 1     |      |
|      | 1048330   | Square tube roller Ø550                   |     |       | 1    |
| 5    | 630916300 | V-profile roller (to machine no. 29175)   | 1   |       |      |
|      | 1160470   | V-profile roller (from machine no. 29176) | 1   |       |      |
|      | 630916350 | V-profile roller (to machine no. 29175)   |     | 1     |      |
|      | 1160480   | V-profile roller (from machine no. 29176) |     | 1     |      |
|      | 1160481   | V-profile roller                          |     |       | 1    |
| 6    | 0478971   | Flange bearing Ø60 – UCF 312              | 2   | 2     | 2    |
| 7    | 1160201   | Bearing support Ø60 ( V-profile roller)   | 2   | 2     |      |
| 8    | 1160202   | Bearing support Ø60 (square tube roller)  | 2   | 2     | 2    |
| 9    | 645000411 | Shim                                      | 2   | 2     | 2    |
| 10   | 0235040   | Steel set screw M10x25                    | 2   | 2     | 2    |
| 11   | 0264110   | Self-locking nut M20                      | 8   | 8     | 8    |
| 12   | 0272310   | Facet plate M20                           | 8   | 8     | 8    |
| 13   | 0236140   | Bolt M20x65 8.8                           | 8   | 8     | 8    |
| 14   | 7450029   | U-profile roller                          | 1   |       |      |
|      | 7450051   | U-profile roller                          |     | 1     |      |
|      | 7450050   | U-profile roller                          |     |       | 1    |
| 15   | 7453007   | Waweroller                                | 1   |       |      |
|      | 7453012   | Waweroller                                |     | 1     |      |
|      | xx        | Waweroller                                |     |       | 1    |

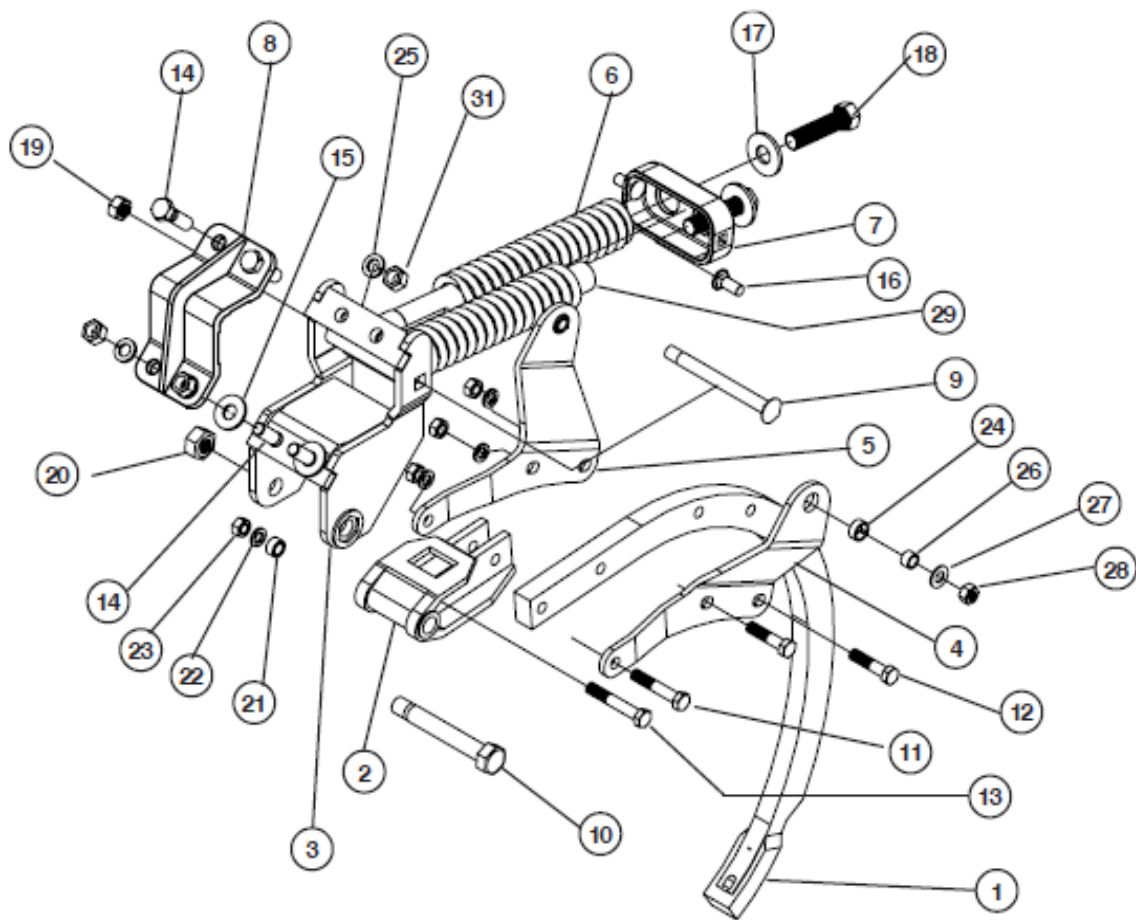
Scraper



| Pos. | Item no.  | Designation  | 3m. | 3,5m. | 4,0m |
|------|-----------|--|-----|-------|------|
| 1    | 1160433   | Scraper bar (V- profile roller)<br>(to machine no. 29175)                | 1   |       |      |
|      | 1160431   | Scraper bar (V- profile roller)<br>(to machine no. 29175)                |     | 1     |      |
|      | 1160566   | Scraper bar (V- profile roller)<br>(from machine no. 29176)              | 1   |       |      |
|      | 1160567   | Scraper bar (V- profile roller )<br>(from machine no. 29176)             |     | 1     |      |
|      | 1160927   | Scraper bar (V-profile roller)   |     |       | 1    |
|      | 1160536   | Scraper bar (T-profile roller)   | 1   |       |      |
|      | 1160537   | Scraper bar (T-profile roller)   |     | 1     |      |
|      | 1160566   | Scraper bar (U-profile roller)   | 1   |       |      |
|      | 1160567   | Scraper bar (U-profile roller)   |     | 1     |      |
|      | 1160927   | Scraper bar (U-profile roller)   |     |       | 1    |
|      | 1160566   | Scraper bar (Waweroller )  | 1   |       |      |
|      | 1160567   | Scraper bar (Waweroller )  |     | 1     |      |
|      | 1160927   | Scraper bar (Waweroller )  |     |       | 1    |
| 2    | 690110106 | U-bolt M16x200x100x200   | 4   | 4     | 6    |
| 3    | 0272290   | Facet plate Ø16  | 8   | 8     | 12   |
| 4    | 0264090   | Self-locking nut M16   | 8   | 8     | 12   |
| 5    | 0422450   | Scraper long (T-profile roller)  | 22  | 23    | -    |
|      | 0422450   | Scraper long (V- profile roller)<br>(from machine no. 29176 - ?)         | 19  | 22    | -    |
| 6    | 0422452   | Scraper short (T-profile roller)   | 2   | 2     | -    |
|      | 0422452   | Scraper short (V- profile roller)<br>(from machine no. 29176 - ?)        | 2   | 2     | -    |
| 6a   | 630938520 | Scraper short (V- profile roller , U- profile roller and<br>Waweroller ) | 21  | 24    | 28   |
| 7    | 630938522 | Clamp 50x70 f/scraper 32/21  | 21  | 24    | 28   |
| 8    | 0235450   | Bolt M12x90mm  | 21  | 24    | 28   |
| 9    | 0272270   | Facet plate Ø12  | 42  | 48    | 56   |
| 10   | 0264070   | Self-locking nut M12   | 21  | 24    | 28   |
| 11   | 630938505 | Scraper single (v-profile roller)<br>(to machine no. 29175)              | 1   | 1     | -    |
| 12   | 630938506 | Scraper double (v-profile roller)<br>(to machine no. 29175)              | 11  | 13    | -    |
| 13   | 690110025 | U-bolt M10x50x70x50mm  | 23  | 27    | -    |
| 14   | 630937517 | Clamping plate   | 23  | 27    | -    |
| 15   | 0272260   | Facet plate Ø10  | 46  | 54    | -    |
| 16   | 0264060   | Self-locking nut M10   | 46  | 54    | -    |

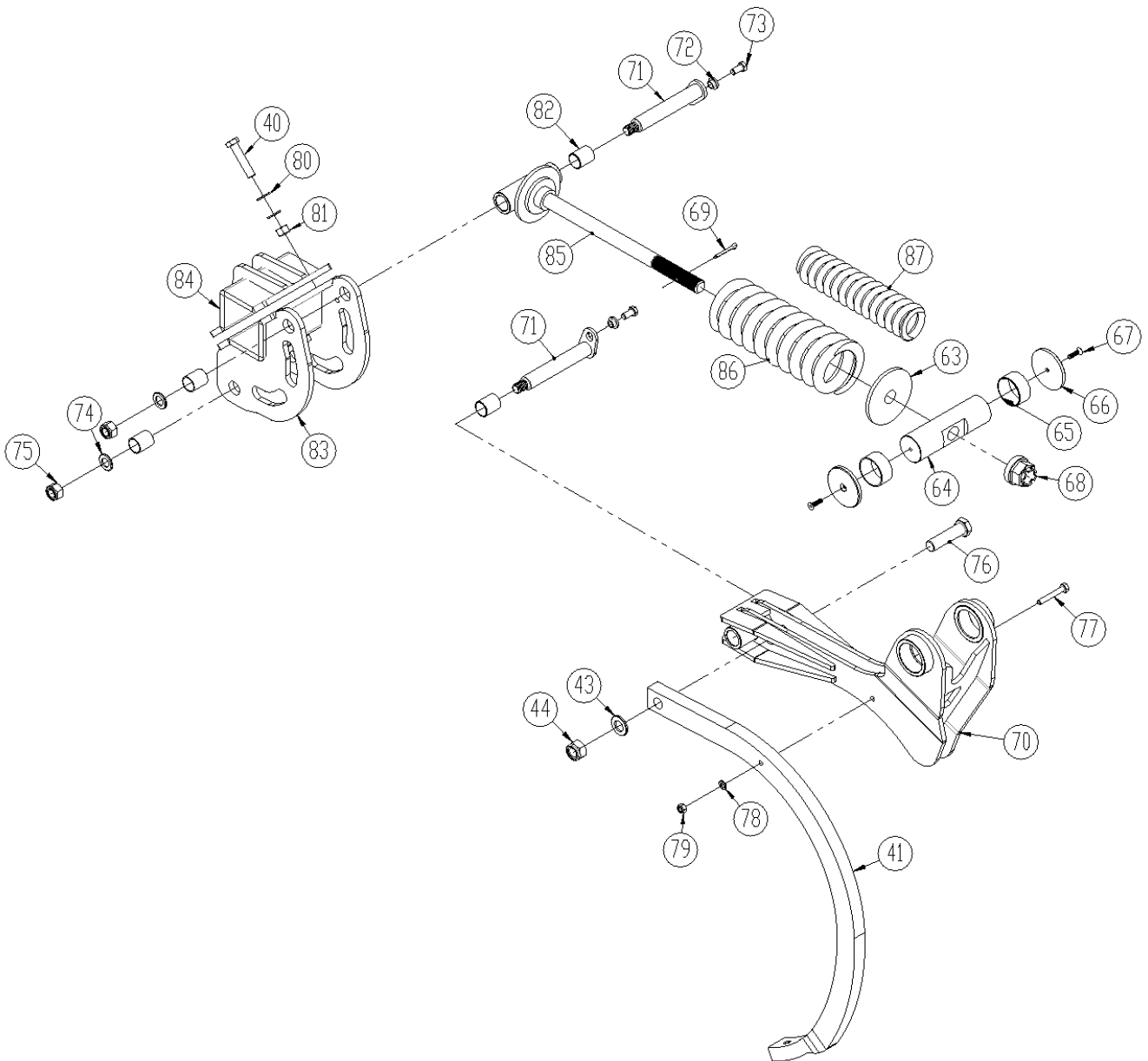
Tine/point

Automatic tine NO 0424300 (to machine No 38547)

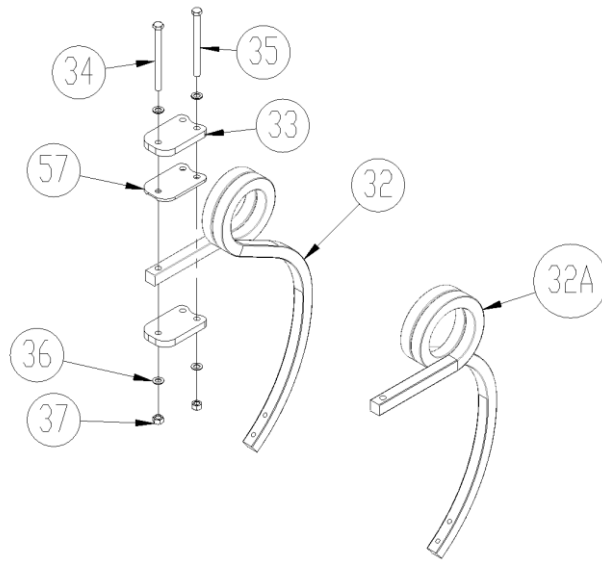




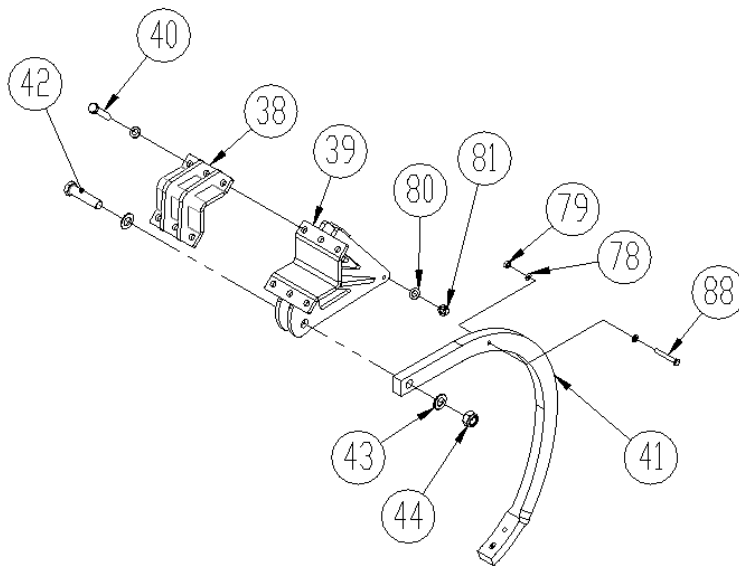
**Automatic tine NO 1160504 (from machine No 38547)**

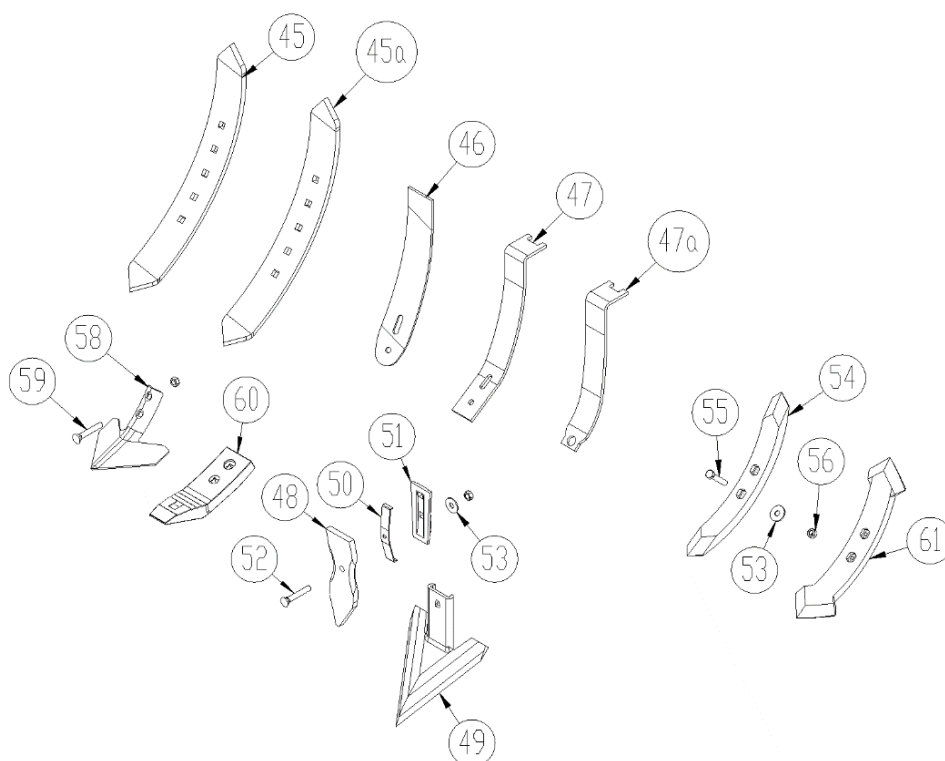


**Spring tine**



**Tine w/shear bolt**



**Point**


| Pos. | Item no. | Designation                                   | No. per tine<br>2,5-3,5m | No. per tine<br>4 – 6 m |
|------|----------|---|--------------------------|-------------------------|
|      | 0424300  | Automatic tine, complete (page 32)            |                          |                         |
|      | 1160504  | Automatic tine, complete (page 33)            |                          |                         |
| 1    | 0424601  | Shank   | 1                        | 1                       |
| 2    | 0424602  | Holder for shank                              | 1                        | 1                       |
| 3    | 0424603  | Tine attachment                               | 1                        | 1                       |
|      | 0424630  | Tine attachment (from aug 2013)               | 1                        | 1                       |
| 4    | 0424604  | Side plate for shank, Left (before aug 2013)  | 1                        | 1                       |
|      | 0424631  | Side plate for shank, Left (from aug 2013)    | 1                        | 1                       |
| 5    | 0424605  | Side plate for shank, Right (before aug 2013) | 1                        | 1                       |
|      | 0424632  | Side plate for shank, Right (from aug 2013)   | 1                        | 1                       |
| 6    | 0424606  | Spring  | 2                        | 2                       |
| 7    | 0424607  | Spring retainer                               | 1                        | 1                       |
| 8    | 0424608  | Clamping bracket                              | 1                        | 1                       |
| 9    | 0424609  | Carrier bolt 3/4NC-2A (before aug 2013)       | 1                        | 1                       |
|      | 0424633  | Bolt 3/4NC x 8,13IN (from aug 2013)           | 1                        | 1                       |
| 10   | 0424610  | Pivot bolt (before aug 2013)                  | 1                        | 1                       |
|      | 0424634  | Bolt 1 IN NC x 7,35IN (from aug 2013)         | 1                        | 1                       |
| 11   | 0424611  | Bolt 5/8NCx4                                  | 1                        | 1                       |
| 12   | 0424612  | Bolt 5/8NCx2-3/4                              | 2                        | 2                       |

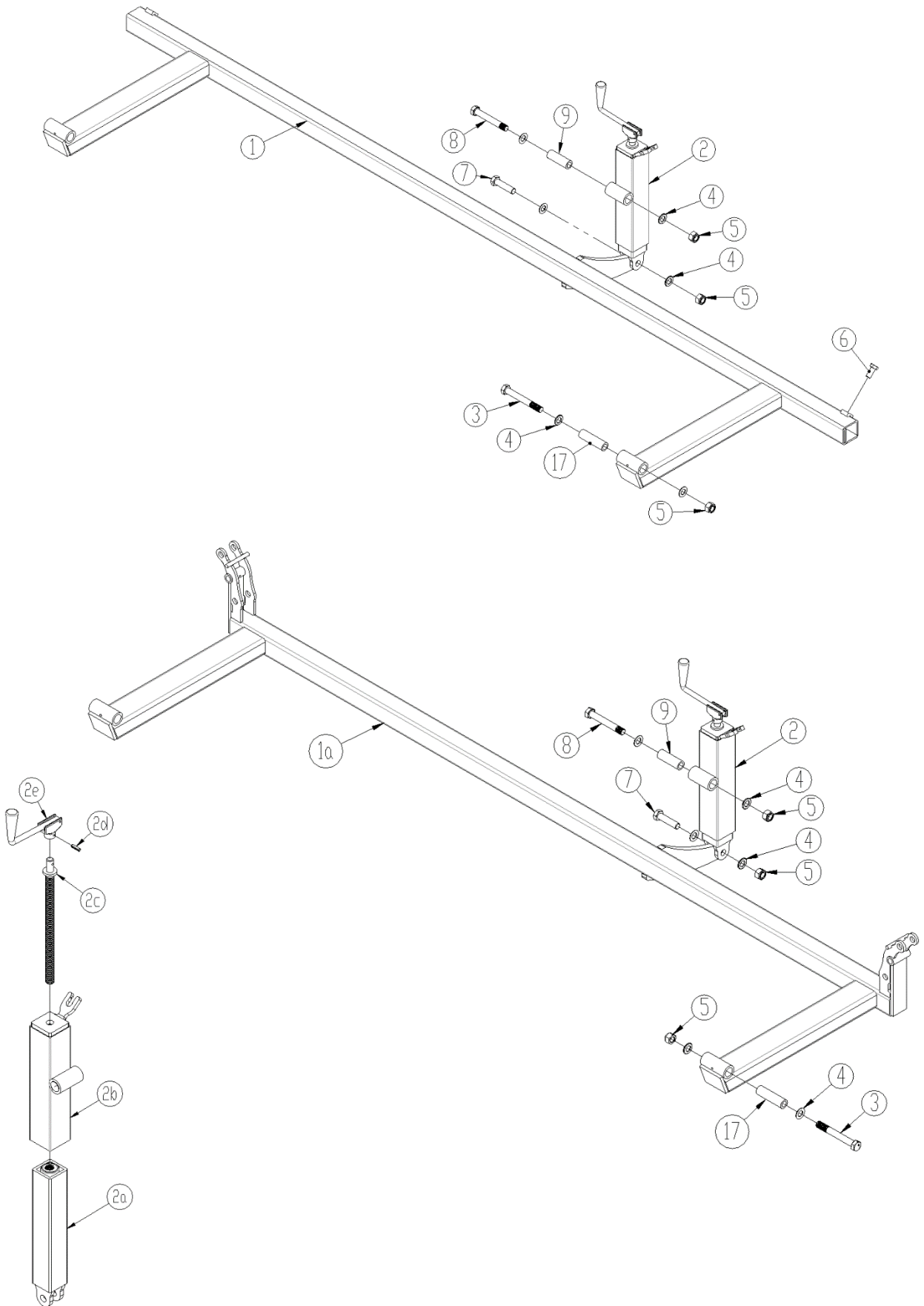
| Pos. | Item no. | Designation   | No. per tine<br>2,5-3,5m | No. per tine<br>4 – 6 m |
|------|----------|---|--------------------------|-------------------------|
| 13   | 0424613  | Bolt 5/8NCx3-1/2  | 1                        | 1                       |
| 14   | 0424614  | Bolt 3/4NCx2-1/4  | 4                        | 4                       |
| 15   | 0424615  | Facet plate 3/4   | 2                        | 2                       |
| 16   | 0424616  | Carrier bolt 5/8NCx1-1/2                                  | 2                        | 2                       |
| 17   | 0424617  | Facet plate 1/1   | 2                        | 2                       |
| 18   | 0424618  | Steel bolt 1NCx4  | 2                        | 2                       |
| 19   | 0424619  | Steel nut 3/4   | 1                        | 1                       |
| 20   | 0424620  | Steel nut 1/1   | 1                        | 1                       |
| 21   | 0424621  | Distance bush 9/16x1                                      | 2                        | 2                       |
| 22   | 0424622  | Facet plate 5/8   | 4                        | 4                       |
| 23   | 0424623  | Steel nut 5/8   | 4                        | 4                       |
| 24   | 0424624  | Bush  | 2                        | 2                       |
| 25   | 0424625  | Facet plate 3/4   | 4                        | 4                       |
| 26   | 0424626  | Bush  | 2                        | 2                       |
| 27   | 0424627  | Facet plate 3/8   | 2                        | 2                       |
| 28   | 0424628  | Steel nut 5/8 (before aug 2013)                           | 1                        | 1                       |
|      | 0424635  | Steel nut 5/8 (from aug 2013)                             | 1                        | 1                       |
| 29   | 0424629  | Spring bracket  | 2                        | 2                       |
| 31   | 0424619  | Steel nut 3/4 (before aug 2013)                           | 2                        | 2                       |
|      | 0424636  | Steel nut 3/4 (from aug 2013)                             | 2                        | 2                       |
| 32   | 0424250  | Tine, double-twisted 35x35 mm (R)                         | 1                        |                         |
| 32A  | 0424252  | Tine, double-twisted 35x35 mm (L)                         | 1                        |                         |
| 32   | 0424250  | Tine, double-twisted 35x35 mm (R) (for machine. No 37528) |                          | 1                       |
| 32A  | 0424252  | Tine, double-twisted 35x35 mm (L) (for machine No 37528)  |                          | 1                       |
|      | 0424260  | Tine, double-twisted 40x40mm (R) (from machine No 37529)  |                          | 1                       |
| 33   | 1160745  | Bracket for spring 35x35 tine                             | 2                        |                         |
|      | 1160745  | Bracket for spring 35x35 tine (for machine No 37528)      |                          | 2                       |
|      | 1160942  | Bracket for spring 40x40 tine (from machine No 37529)     |                          | 2                       |
| 34   | 0235991  | Bolt M16x200 10.9 (for machine No 37707)                  | 1                        |                         |
|      | 0235995  | Bolt M16x210 10.9 (from machine No 37708)                 | 1                        |                         |
|      | 0235991  | Bolt M16x200 10.9 (for machine No 37528)                  |                          | 1                       |
|      | 0236290  | Bolt M20x220 10.9 (from machine No 37529)                 |                          | 1                       |
| 35   | 0235991  | Bolt M16x200 10.9 (for machine No 37707)                  | 2                        |                         |
|      | 0235995  | Bolt M16x210 10.9 (from machine No 37708)                 | 1                        |                         |
|      | 0235991  | Bolt M16x200 10.9 (for machine No 37528)                  |                          | 2                       |
|      | 0236011  | Bolt M16x220 10.9 (from machine No 37529)                 |                          | 2                       |
| 36   | 0272290  | Facet plate Ø16   | 6                        |                         |
|      | 0272290  | Facet plate Ø16 (for machine No 37528)                    |                          | 6                       |

| Pos. | Item no.  | Designation  | No. per tine<br>2,5-3,5m | No. per tine<br>4 – 6 m |
|------|-----------|--|--------------------------|-------------------------|
|      | 0272290   | Facet plate Ø16 (from machine No 37529)                              |                          | 4                       |
|      | 0272310   | Facet plate Ø20 (from machine No 37529)                              |                          | 2                       |
| 37   | 690113017 | Lock nut M16   | 3                        |                         |
|      | 690113017 | Lock nut M16 (for machine No 37528)                                  |                          | 3                       |
|      | 690113017 | Lock nut M16 (from machine No 37529)                                 |                          | 2                       |
|      | 0263000   | Lock nut M20 (from machine No 37529)                                 |                          | 1                       |
| 38   | 1160501   | Upper part for tine holder   | 1                        | 1                       |
| 39   | 1160455   | Lower part for tine holder   | 1                        | 1                       |
| 40   | 0235870   | Bolt M16x75  | 6                        | 6                       |
| 41   | 1160450   | Tine   | 1                        | 1                       |
| 42   | 0236410   | Bolt M24x100   | 1                        | 1                       |
| 43   | 0272330   | Facet plate Ø24  | 2                        | 2                       |
| 44   | 0264130   | Lock nut M24   | 1                        | 1                       |
| 45   | 0424330   | Point 12,7mm , left  | 1                        | 1                       |
|      | 0424340   | Point 12,7mm, right  | 1                        | 1                       |
|      | 0424333   | Point 12,7mm, hardmetal, left  | 1                        | 1                       |
|      | 0424343   | Point 12,7mm, hardmetal, right                                       | 1                        | 1                       |
| 45a  | 0424331   | Point 19 mm , left   | 1                        | 1                       |
|      | 0424341   | Point 19 mm, right   | 1                        | 1                       |
| 46   | 0424480   | Twisted mould board, left  | 1                        | 1                       |
|      | 0424490   | Twisted mould plate, right   | 1                        | 1                       |
| 47   | 1139890   | Straight mould plate (35x35 mm spring tine)                          | 1                        |                         |
|      | 7435000   | Straight mould plate (40x40 mm spring tine)                          |                          | 1                       |
| 47a  | 7435003   | Straight mould plate f/tine Nr 1160450 when point 0424390 is mounted | 1                        | 1                       |
|      | 7435001   | Straight mould f/ 35x35 spring tine when point 0424390 is mounted    | 1                        | 1                       |
|      | 7435002   | Straight mould f/ 40x40 spring tine when point 0424390 is mounted    | 1                        | 1                       |
| 48   | 0424450   | Chisel point, 75 mm  | 1                        | 1                       |
|      | 0424453   | Chisel point, 75mm, w/ hardmetal                                     | 1                        | 1                       |
| 49   | 0424402   | Wing share, 260 mm   | 1                        | 1                       |
|      | 0424403   | Wing share, 260 mm, w/ hardmetal                                     |                          |                         |
| 50   | 0424360   | Retaining spring   | 1                        | 1                       |
| 51   | 0424350   | Adapter  | 1                        | 1                       |
| 52   | 0381300   | PB-bolt M12x70 12.9 – w/nut  | 1                        | 1                       |
| 53   | 0272620   | Disc Ø13/37x3  | 2                        | 2                       |
| 54   | 0424447   | Point 50x25mm  | 1                        | 1                       |
| 55   | 0381290   | Bolt M12x65 12.9   | 2                        |                         |

| Pos. | Item no.  | Designation                              | No. per<br>tine<br>2,5-3,5m | No. per<br>tine<br>4 – 6 m |
|------|-----------|--|-----------------------------|----------------------------|
|      | 0381290   | Bolt M12x65 12.9 (for machine No 37528)  |                             | 2                          |
|      | 0381300   | Bolt M12x70 12.9 (from machine No 37529) |                             | 2                          |
| 56   | 0261071   | Lock nut                                 | 2                           | 2                          |
| 57   | 1161110   | Shims 35x35 tine (from machine No 37708) | 1                           |                            |
|      | 1161105   | Shims 40x40 tine (from machine No 37919) |                             | 1                          |
| 58   | 0424405   | Wing share 305mm                         | 1                           | 1                          |
|      | 0424406   | Wing share 305mm, w/ hardmetal           | 1                           | 1                          |
| 59   | 0381340   | PB-Bolt M12x80 12.9 m/nut                | 2                           | 2                          |
| 60   | 0424390   | Point, w/ hardmetal                      | 1                           | 1                          |
| 61   | 0424380   | Reversible point                         | 1                           | 1                          |
| 63   | 1068430   | Steering washer                          | 1                           | 1                          |
| 64   | 1160515   | Steering pin                             | 1                           | 1                          |
| 65   | 0475176   | Slide bearing PCM 606530 E               | 2                           | 2                          |
| 66   | 1160519   | Lock washer f. steering pin              | 2                           | 2                          |
| 67   | 0228032   | Bolt M8x30mm 10.9 fzb DIN7991            | 2                           | 2                          |
| 68   | 1067650   | Nut                                      | 1                           | 1                          |
| 69   | 0373450   | Split ø6,3x50mm                          | 1                           | 1                          |
| 70   | 1160598   | Arm                                      | 1                           | 1                          |
| 71   | 1160600   | Pin ø30, L=174mm                         | 2                           | 2                          |
| 72   | 630532600 | Locking bushing                          | 2                           | 2                          |
| 73   | 690101101 | Bolt M12x25                              | 2                           | 2                          |
| 74   | 0272310   | Facet plate Ø20                          | 2                           | 2                          |
| 75   | 0264110   | Lock nut M20                             | 2                           | 2                          |
| 76   | 0236400   | Bolt M24x 90mm                           | 1                           | 1                          |
| 77   | 0235130   | Bolt M10x70mm                            | 1                           | 1                          |
| 78   | 0272260   | Facet plate Ø10                          | 1                           | 1                          |
| 79   | 0264060   | Lock nut M10                             | 1                           | 1                          |
| 80   | 0272290   | Facet plate Ø16                          | 12                          | 21                         |
| 81   | 0264090   | Lock nut M16                             | 6                           | 6                          |
| 82   | 0475152   | Slide bearing PCM 303440 E               | 4                           | 4                          |
| 83   | 1160597   | Lower part for tine holder               | 1                           | 1                          |
| 84   | 1160523   | Clamping bracket                         | 1                           | 1                          |
| 85   | 1160510   | Spring holder                            | 1                           | 1                          |
| 86   | 0431560   | Pressure spring ø22 x 125 x 390 x 10v    | 1                           | 1                          |
| 87   | 0431530   | Pressure spring ø14 x 76 x 380 x 15v     | 1                           | 1                          |
| 88   | 0235140   | Bolt M10x75                              | 1                           | 1                          |



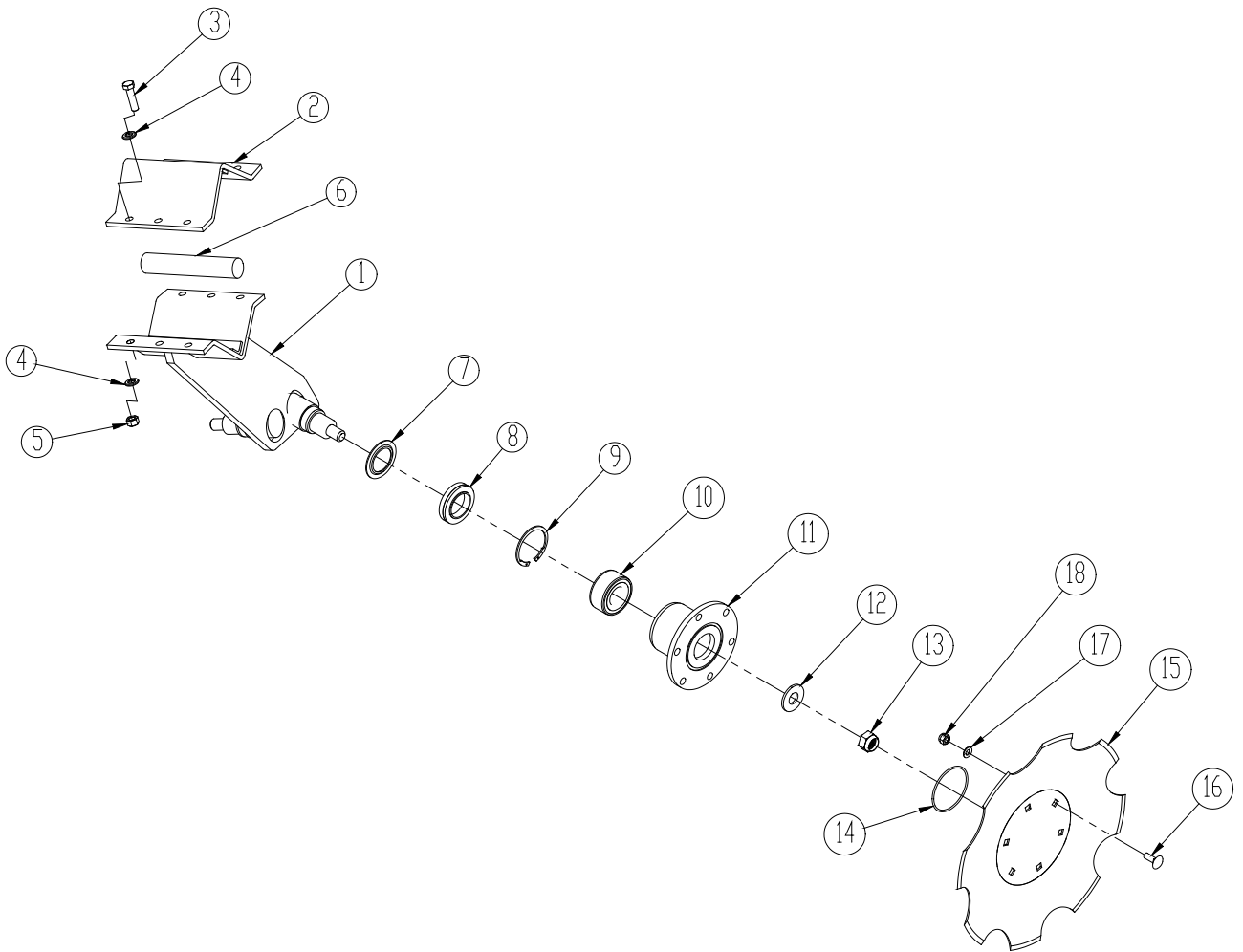
Levelling bar





| Pos. | Item no.  | Designation  | 3m. | 3,5m. | 4,0m |
|------|-----------|--|-----|-------|------|
| 1    | 1160387   | Levelling bar                                      | 1   |       | -    |
| 1    | 1160400   | Levelling bar                                      |     | 1     | -    |
| 1a   | 1160806   | Levelling bar (tilt down)                          | 1   |       |      |
|      | 1160921   | Levelling bar (tilt down) (to machine no. 37701)   |     | 1     |      |
|      | 1161107   | Levelling bar (tilt down) (from machine no. 37702) |     | 1     |      |
|      | 1160967   | Levelling bar (kantudstyr m/vippefunktion)         |     |       | 1    |
| 2    | 1160325   | Spindle  | 1   |       | 2    |
|      | 1160325   | Spindle (to machine no. 37701)                     |     | 1     |      |
|      | 1160325   | Spindle (from machine no. 37702)                   |     | 2     |      |
| 2a   | 7385001   | Inner pipe   |     |       |      |
| 2b   | 7385000   | Outer pipe   |     |       |      |
| 2c   | 690304101 | Spindle Tr28x5 L=410                               |     |       |      |
| 2d   | 0371660   | Retaining pin Ø8x30mm                              |     |       |      |
| 2e   | 690304102 | Crank handle                                       |     |       |      |
| 3    | 0236260   | Bolt M20x170 8.8                                   | 2   | 2     | 2    |
| 4    | 0272310   | Facetskive Ø20                                     | 8   |       | 10   |
|      | 0272310   | Facet plate Ø20 (to machine no. 37701)             |     | 8     |      |
|      | 0272310   | Facet plate Ø20 (from machine no. 37702)           |     | 10    |      |
| 5    | 0264110   | Self-locking nut M20                               | 4   |       | 5    |
|      | 0264110   | Self-locking nut M20 (to machine no. 37701)        |     | 4     |      |
|      | 0264110   | Self-locking nut M20 (from machine no. 37702)      |     | 5     |      |
| 6    | 690103124 | Bolt M16x35MM 8.8                                  | 2   | 2     | 2    |
|      |           | Bolt M20x80MM 8.8                                  | 1   |       | 2    |
|      |           | Bolt M20x80MM 8.8 (to machine no. 37701)           |     | 1     |      |
|      |           | Bolt M20x80MM 8.8 (from machine no. 37702)         |     | 2     |      |
|      |           | Bolt M20x160mm 8.8                                 | 1   |       | 2    |
|      |           | Bolt M20x160mm 8.8 (to machine no. 37701)          |     | 1     |      |
|      |           | Bolt M20x160mm 8.8 (from machine no. 37702)        |     | 2     |      |
| 9    | 675101006 | Bush BK 30x5 L=89                                  | 1   |       | 2    |
|      | 675101006 | Bush BK 30x5 L=89 (to machine no. 37701)           |     | 1     |      |
|      | 675101006 | Bush BK 30x5 L=89 (from machine no. 37702)         |     | 2     |      |
| 17   | 1160560   | Bush Ø30x5mm                                       | 2   | 2     | 2    |

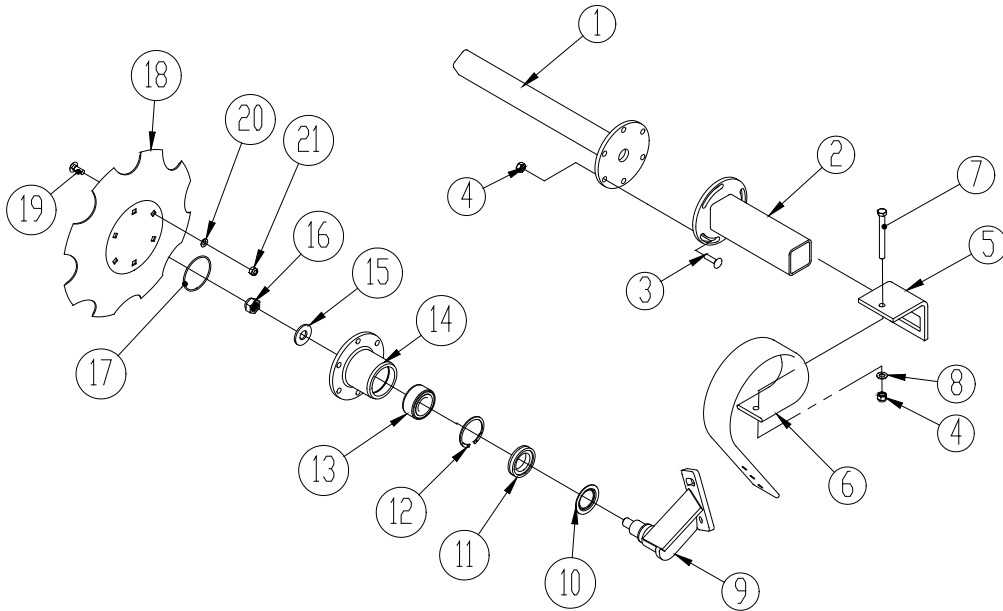
**Eradicator disc**



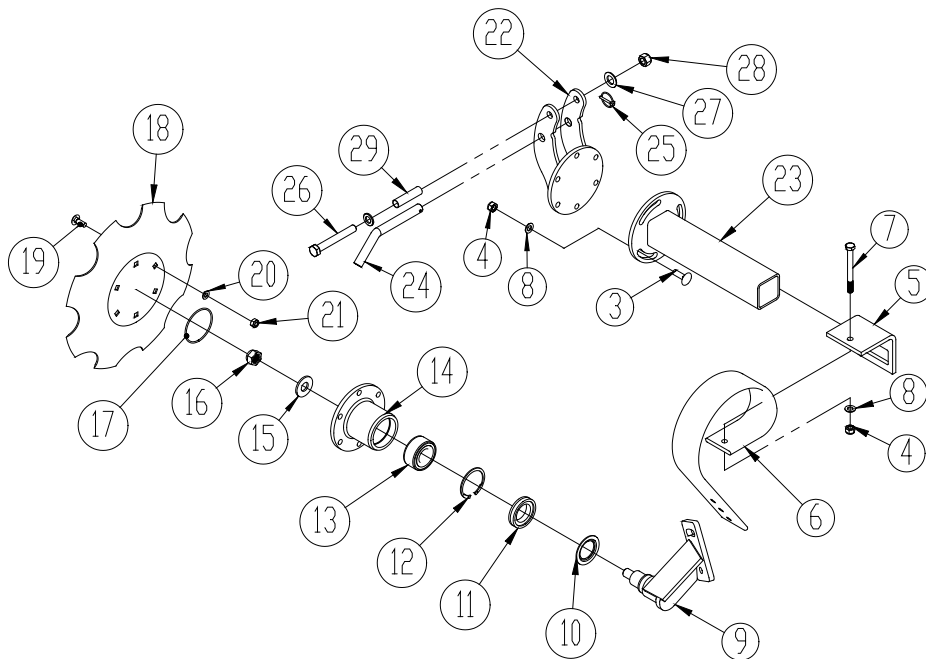
| Pos. | Item no.  | Designation                            | 3m. | 3,5m. | 4,0m |
|------|-----------|--|-----|-------|------|
| 1    | 1139870   | Carrier arm (R + L)                    | 3   | 3     | 3    |
|      | 1139871   | Carrier arm (R)                        | 1   | 1     | 1    |
|      | 1139872   | Carrier arm (L)                        | 1   | 1     | 1    |
| 2    | 30949046  | Clamping plate                         | 5   | 5     | 5    |
| 3    | 690103091 | Steel bolt M12x45 10.9                 | 30  | 30    | 30   |
| 4    | 0272270   | Facet plate M12                        | 60  | 60    | 60   |
| 5    | 0264070   | Self-locking nut M12                   | 30  | 30    | 30   |
| 6    | 690210710 | Rubber cord                            | 20  | 20    | 20   |
| 7    | 630949019 | Disc Ø45/71,7                          | 8   | 8     | 8    |
| 8    | 690140651 | Seal Ø72                               | 8   | 8     | 8    |
| 9    | 0379253   | Seeger circlip ring I Ø72              | 8   | 8     | 8    |
| 10   | 690140199 | Bearing Ø35                            | 8   | 8     | 8    |
| 11   | 30949030  | Hub                                    | 8   | 8     | 8    |
|      | 630949032 | Repair outfit/conversion set incl. hub |     |       |      |
| 12   | 690117062 | Disc Ø20                               | 8   | 8     | 8    |
| 13   | 0263000   | Lock nut M20                           | 8   | 8     | 8    |
| 14   | 0483730   | O-ring Ø80/3                           | 8   | 8     | 8    |
| 15   | 0427791   | Serrated disc Ø400 with 6 holes        | 8   | 8     | 8    |
| 16   | 0248421   | Carrier bolt M10x30                    | 48  | 48    | 48   |
| 17   | 0272260   | Facet plate Ø10                        | 48  | 48    | 48   |
| 18   | 0264060   | Self-locking nut M10                   | 48  | 48    | 48   |
|      | 1139860   | Complete carrier arm (R +L)            |     |       |      |
|      | 1139861   | Complete carrier arm (R)               |     |       |      |
|      | 1139862   | Complete carrier arm (L)               |     |       |      |

**Edge equipment**

**Edge equipment (rigid)**

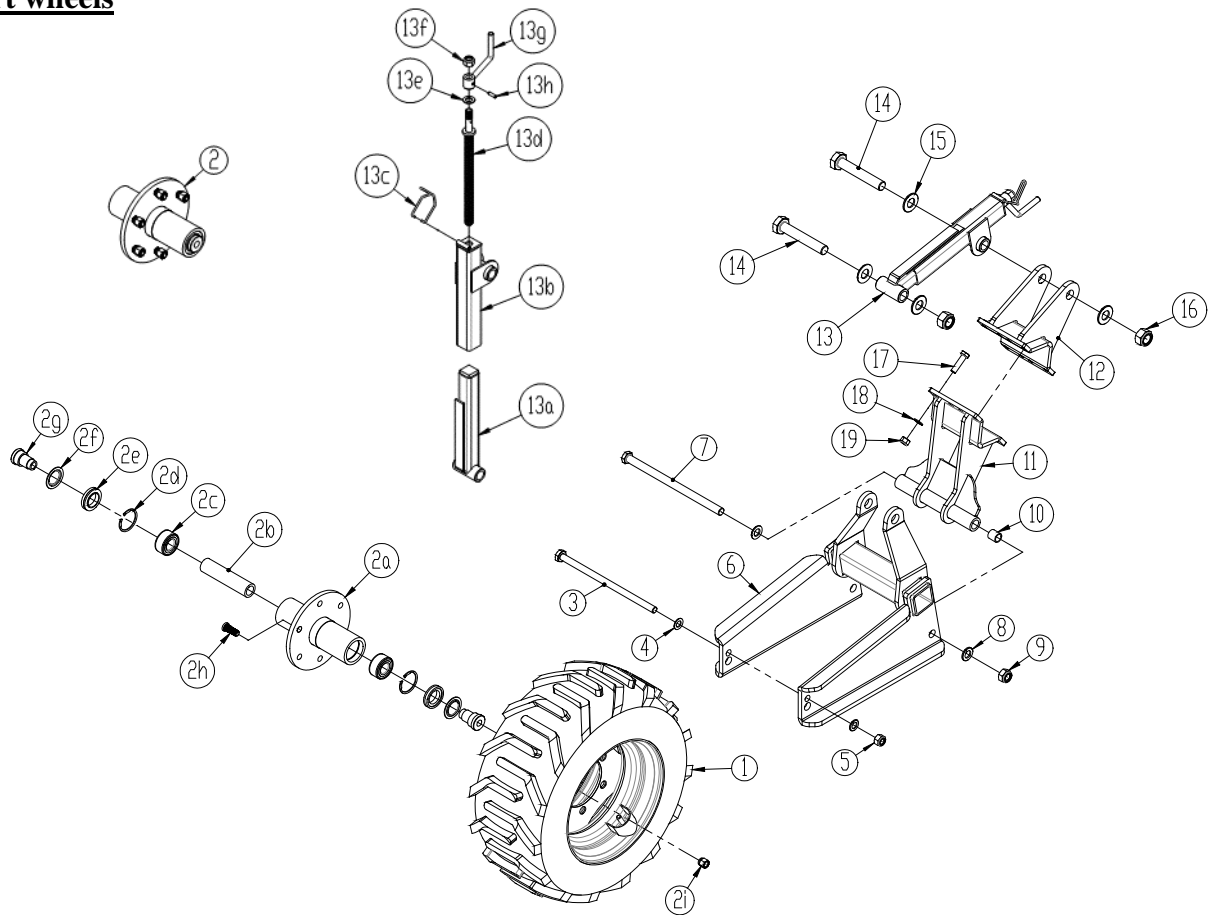


**Edge equipment (tilt down)**



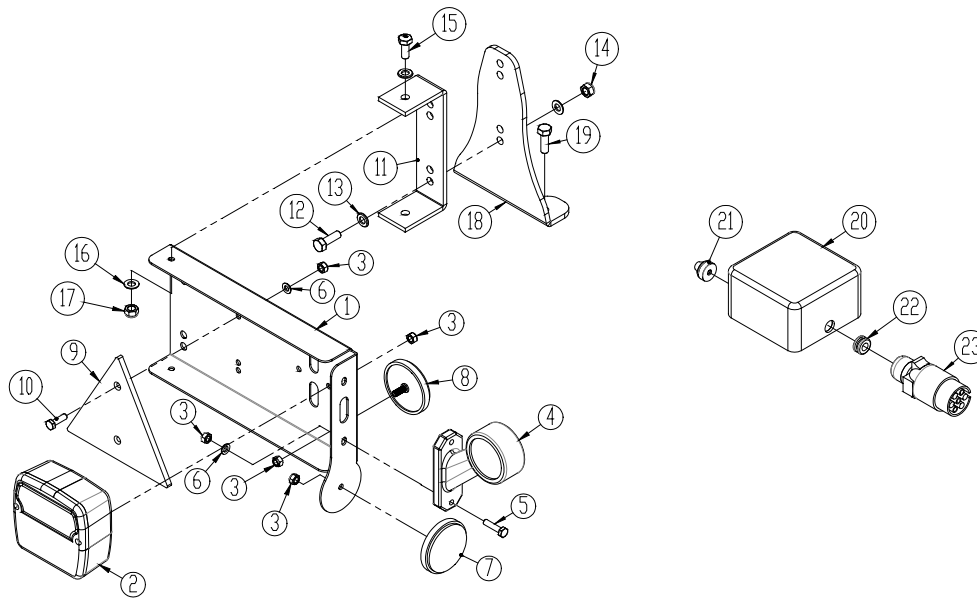
| Pos. | Item no.  | Designation  | No. |
|------|-----------|--|-----|
| 1    | 1139830   | Inner tube f/edge equipment (to machine no. 33364)   | 2   |
| 2    | 1139800   | Outer tube f/edge equipment (to machine no. 33364)   | 2   |
| 3    | 0248660   | Carrier bolt M12x40mm                                | 6   |
| 4    | 0264070   | Lock nut M12   | 8   |
| 5    | 0422390   | Tine holder f/ 80x10mm tine                          | 2   |
| 6    | 0422144   | Tine 80x10mm   | 2   |
| 7    | 0235480   | Bolt M12x120mm                                       | 2   |
| 8    | 0272270   | Facet plate Ø12                                      | 2   |
| 9    | 1139850   | Bracket w/axle (R)                                   | 1   |
|      | 1139840   | Bracket w/axle (L)                                   | 1   |
| 10   | 630949019 | Disc Ø45/71,7  | 2   |
| 11   | 690140651 | Seal Ø72   | 2   |
| 12   | 0379253   | Seeger circlip ring I Ø72                            | 2   |
| 13   | 690140199 | Bearing Ø35  | 2   |
| 14   | 30949030  | Hub  | 2   |
| 15   | 690117062 | Disc Ø20   | 2   |
| 16   | 0263000   | Lock nut   | 2   |
| 17   | 0483730   | O-ring Ø80/3   | 2   |
| 18   | 0427791   | Serrated disc Ø400x5,0 mm                            | 2   |
| 19   | 0248421   | Carrier bolt M10x30mm                                | 12  |
| 20   | 0272260   | Facet plate Ø10                                      | 12  |
| 21   | 0264060   | Self-locking nut M10                                 | 12  |
| 22   | 1160786   | Bracket (from machine no. 33365)                     | 2   |
| 23   | 1160772   | Outer tube f/edge equipment (from machine no. 33365) | 2   |
| 24   | 1141072   | Pin Ø20 L=125mm                                      | 2   |
| 25   | 0378200   | Ring split Ø4,5                                      | 2   |
| 26   | 0235920   | Bolt M16x120   | 2   |
| 27   | 0272290   | Facet plate Ø16                                      | 4   |
| 28   | 0264090   | Lock nut M16   | 2   |

**Support wheels**



| Pos | Item no.  | Designation  | Per machine |
|-----|-----------|--|-------------|
| 1   | 0394700   | Wheel AW 10.2/80 x 12/10 TL Silver 5/80/1<br>(to machine no. no 32164) | 2           |
|     | 0395654   | Wheel 300/55-14,5 SG Flotation (V)<br>(from machin. no.32165)          | 1           |
|     | 0395653   | Wheel 300/55-14,5 SG Flotation (H)<br>(from machin. no.32165)          | 1           |
| 2   | 0394850   | Hub (complete)<br>(to machine no 32164)                                | 2           |
|     | 7365005   | Hub (complete)<br>(from machin. no.32165)                              | 2           |
| 2a  | 1145390   | Hub<br>(to machine no 32164)   | 2           |
|     | 7365004   | Hub<br>(from machin. no. 32165)  | 2           |
| 2b  | 1145393   | Distance sleeve<br>(to machine no 32164)                               | 2           |
|     | 7365002   | Distance sleeve<br>(from machin. no.32165)                             | 2           |
| 2c  | 0474100   | Ball bearing 5206-2RS YC<br>(to machine no 32164)                      | 4           |
|     | 690140201 | Ball bearing<br>(from machin. no 2165)                                 | 4           |
| 2d  | 0483585   | Oil sealing ring Ø45/62x7<br>(to machine no 32164)                     | 4           |
|     | 0379250   | Seeger-circlip ring I 72 DIN472<br>(from machin. no 32165)             | 4           |
| 2e  | 690140651 | Seal 72-45-14/17<br>(from machin. no 32165)                            | 4           |
| 2f  | 630949019 | Disc Ø45/71,7  | 4           |
| 2g  | 1145391   | Axle for hub<br>(to machine no 32164)                                  | 4           |

| Pos | Item no. | Designation   | Per machine |
|-----|----------|---|-------------|
|     | 7365001  | Axle for hub (from machin. no 32165)                | 4           |
| 2h  | 0394860  | Hub bolt M12 x 1,5 L=36 mm (to machine no. 32164)   | 10          |
|     | 0396460  | Hub bolt M 18 x 1.5 L=49mm (from machine no. 33365) | 12          |
| 2i  | 0394861  | Nub nut M12 x 1,5 NV22mm (to machine no. 32164)     | 10          |
|     | 0396470  | Nub nut M18 x 1.5 (from machine no. 33365)          | 12          |
| 3   | 0236332  | Bolt M20x400mm                                      | 2           |
| 4   | 0272310  | Facet plate Ø20 mm                                  | 4           |
| 5   | 0264110  | Self-locking nut M20                                | 2           |
| 6   | 1160255  | Yoke for support wheel                              | 2           |
| 7   | 0236570  | Bolt M24x400mm                                      | 2           |
| 8   | 0272330  | Facet plate Ø24 mm                                  | 4           |
| 9   | 0264130  | Self-locking nut M24                                | 2           |
| 10  | 0475300  | Inner tension bush EG ø30/24x30mm                   | 4           |
| 11  | 1160425  | Guide for support wheel                             | 2           |
| 12  | 1160462  | Spindle holder for support wheel                    | 2           |
| 13  | 1145502  | Spindle complete                                    |             |
| 13a | 1145342  | Inner tube  | 2           |
| 13b | 1145341  | Outer tube  | 2           |
| 13c | 0431980  | Spindle keeper                                      | 2           |
| 13d | 1145346  | Spindle   | 2           |
| 13e | 0470500  | Shaft bearing Ø20mm                                 | 2           |
| 13f | 0264110  | Self-locking nut M20                                | 2           |
| 13g | 1036260  | Crank   | 2           |
| 13h | 0371660  | Roll pin Ø8x32mm                                    | 2           |
| 14  | 0237070  | Bolt M30x180mm                                      | 4           |
| 15  | 0272350  | Facet plate Ø30 mm                                  | 8           |
| 16  | 0264155  | Self-locking nut M30                                | 4           |
| 17  | 0235840  | Bolt M16x60mm                                       | 16          |
| 18  | 0272290  | Facet plate Ø16                                     | 32          |
| 19  | 0264090  | Self-locking nut M16                                | 16          |

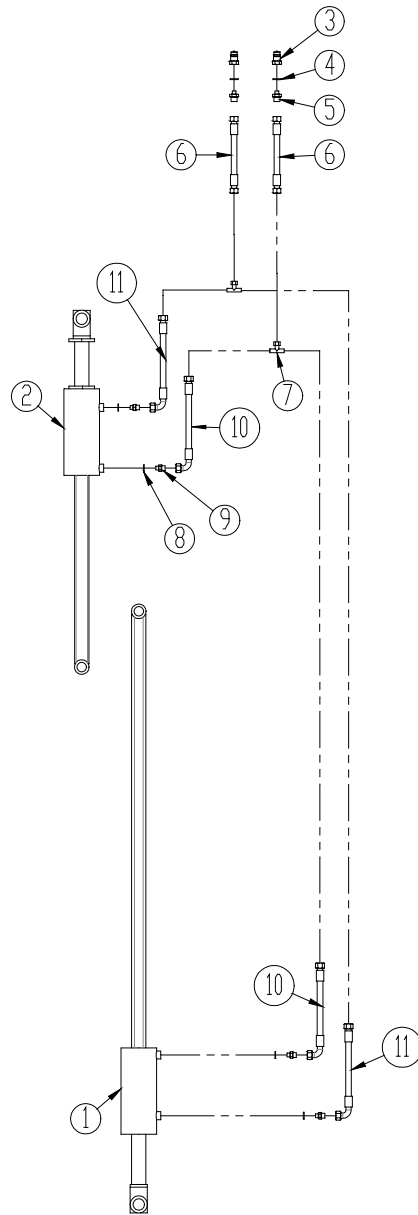
**Led-Light**


| Pos. | Item no.  | Designation                        | No. |
|------|-----------|------------------------------------|-----|
| 1    | 7357505   | Light bracket, left                | 1   |
|      | 7357508   | Light bracket, right               | 1   |
| 2    | 7357504   | Rear light                         | 2   |
| 3    | 0264030   | Self-locking nut M5                |     |
| 4    | 7357507   | Marking lights (left)              | 1   |
|      | 7357509   | Marking lights (right)             | 1   |
| 5    | 0233860   | Bolt M5x20                         |     |
| 6    | 0272230   | Facet plate Ø5                     |     |
| 7    | 0656240   | Reflex, yellow                     | 2   |
| 8    | 0656250   | Reflex, white                      | 2   |
| 9    | 0521030   | Reflex, red                        | 2   |
| 10   | 0233860   | Bolt M5x20                         |     |
| 11   | 7357516   | Bracket                            | 2   |
| 12   | 0234760   | Bolt M8x25                         |     |
| 13   | 0272250   | Facet plate Ø8                     |     |
| 14   | 0264050   | Self-locking M8                    |     |
| 15   | 0234330   | Bolt M6x20                         |     |
| 16   | 0272240   | Facet plate Ø6                     |     |
| 17   | 0264040   | Self-locking nut M6                |     |
| 18   | 30910110  | Consol                             | 2   |
| 19   | 0230825   | Taptite bolt M8x25                 |     |
| 20   | 0520492   | Connecting box 105x105x60          | 1   |
| 21   | 7357545   | Rutaseal nipple M20 8-12mm         | 2   |
| 22   | 7357546   | Rubber bushing                     | 1   |
| 23   | 0527140   | Plug 7 poles DIN 72 577 – ISO 1724 | 1   |
|      | 690160080 | Cable 5 x 1 mm <sup>2</sup>        |     |

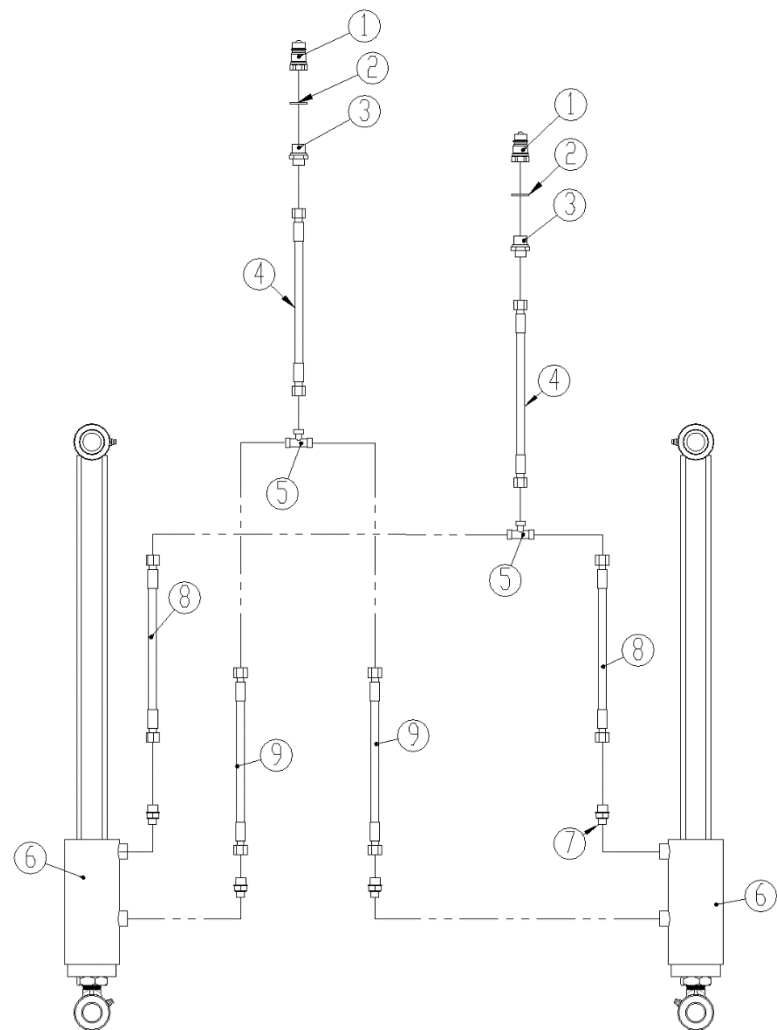


## Hydraulics

### Trailed kit 3m – 3.5 m – 4m

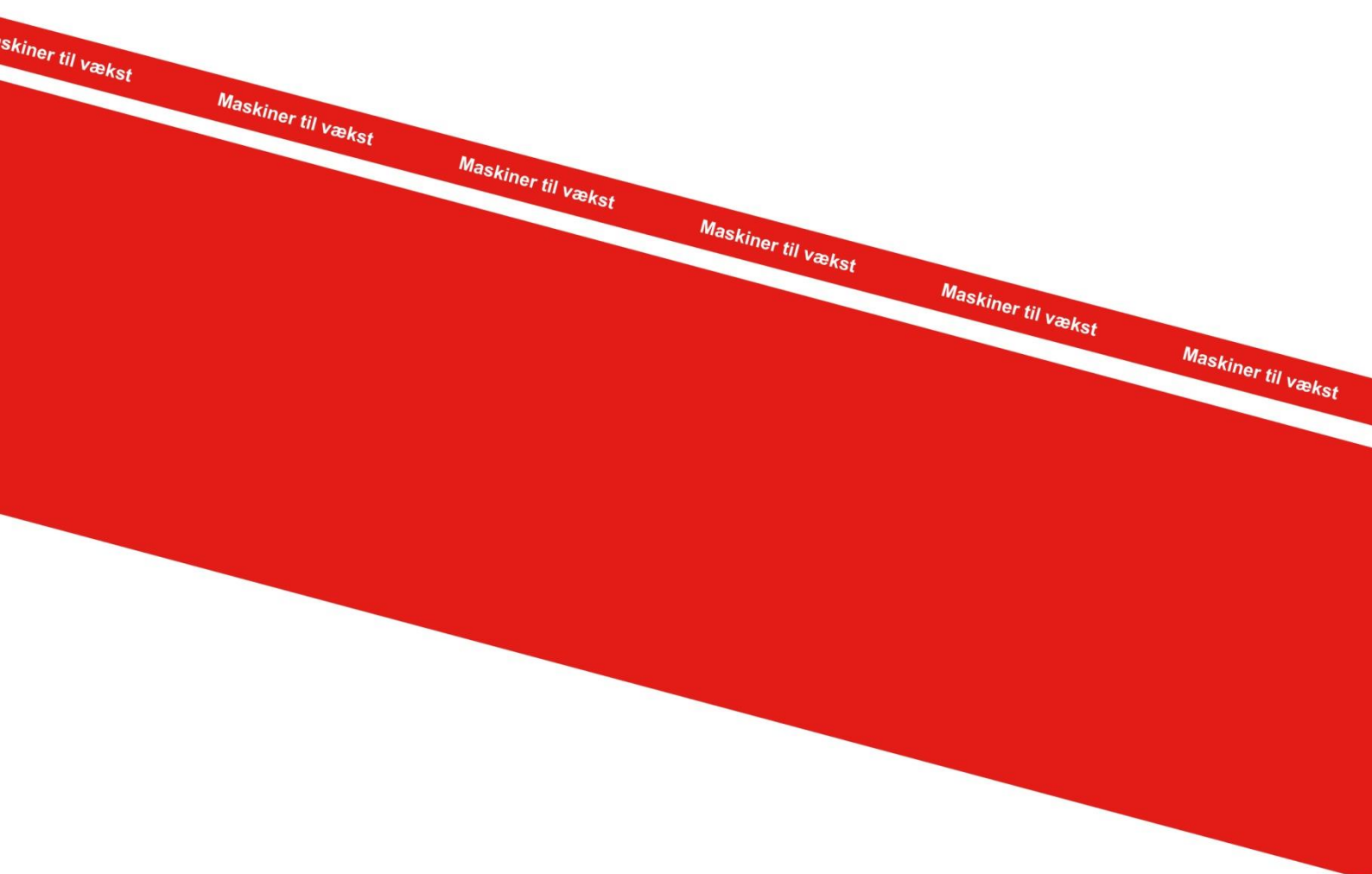


| Pos. | Item no. | Designation                | No. |
|------|----------|----------------------------|-----|
| 1    | 1160178  | See pos. 15 page 16        | 1   |
| 2    | 1160414  | See pos. 17 page 16        | 1   |
| 3    | 0444020  | Quick coupling 1/2"        | 2   |
| 4    | 0449070  | Bounded seal 1/2"          | 2   |
| 5    | 0444490  | Hexagon nipple 1/2" - 1/4" | 2   |
| 6    | 0454550  | Hose 1700mm. 1/4"          | 2   |
| 7    | 0446610  | T-nipple 1/4"              | 2   |
| 8    | 0449050  | Bounded seal 1/4"          | 4   |
| 9    | 0444510  | Hexagon nipple 1/4" - 3/8" | 4   |
| 10   | 0454560  | Hose 1850mm. 1/4"          | 2   |
| 11   | 0454590  | Hose 2000mm. 1/4"          | 2   |

**Roller bar 3m, 3,5m, 4,0m**


| Pos. | Item no. | Designation                | No. |
|------|----------|----------------------------|-----|
| 1    | 0444020  | Quick coupling 1/2"        | 2   |
| 2    | 0449070  | Bounded seal 1/2"          | 2   |
| 3    | 0444490  | Hexagon nipple 1/2" - 1/4" | 2   |
| 4    | 0454650  | Hose 2350mm. 1/4"          | 2   |
| 5    | 0446610  | T-nipple 1/4"              | 2   |
| 6    |          | See pos. 2 page 18         | 2   |
| 7    | 0444510  | Hexagon nipple 1/4" - 3/8" | 4   |
| 8    | 0454560  | Hose 1850mm. 1/4"          | 2   |
| 9    | 0454590  | Hose 2000mm. 1/4"          | 2   |

## Notes



2010  
Danmark