

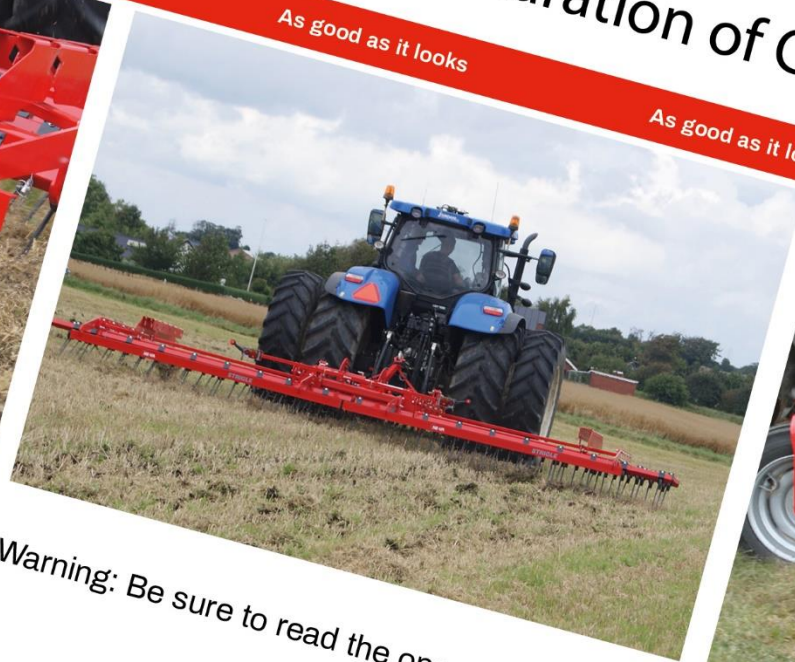
HE-VA

Operating Instructions
Spare Parts List
Declaration of Conformity

as it looks



As good as it looks



As good as it looks

As good as it looks



As good as it looks

Warning: Be sure to read the operation instructions before using the machine.

Top-Strigle

Working width: 3,0 - 4,0 - 5,0 - 6,0 - 7,0 - 8,0 - 9,0 - 10,0 m (5-rows)

Manual no. 8000121-07 251021



N. A. Christensensvej 34
DK-7900 Nykøbing Mors
Tel: 97724288
Fax: 97722112
www.he-va.com

Contents

EC DECLARATION OF CONFORMITY	4
Delivery Check	5
Machine description.....	5
Technical specifications.....	6
Safety around the Top-Strigle.....	7
Safety Instructions, regarding Hydraulic System	8
Working with the Top-Strigle.....	8
Warning.....	8
Maintenance.....	9
Markings on the machine.....	10
Disposal.....	10
Spare parts list.....	11
Right section, 5-bars w/Ø16 mm long finger tine 5,0 - 6.0 - 7,0 - 8,0 m	11
Extension kit for 8 m.....	14
Middle section 9,0 - 10,0 meter	15
Side section 9,0 - 10,0 meter.....	16
Wheels.....	18
Wheel 9,0 - 10,0 meter (additional equipment)	19
Light bar 9,0 - 10.0 meter	20
LED - Lighting set	21
Turbo-Disc	22
Hydraulics	24
5,0 - 8,0 meter 5 bar Top-Strigle.....	24
Folding 9,0 - 10,0m.....	26
Tine angel 9,0 - 10,0 m	27



EC DECLARATION OF CONFORMITY

in accordance with the EU Machinery Directive 2006/42/EC
applicable as from December 29th 2009:

HE-VA ApS
N. A. Christensensvej 34,
DK-7900 Nykøbing Mors

hereby confirms that the following machine has been manufactured in accordance with the Council
Directive 2006/42/EC.

The declaration comprises the following machines:

Top-Strigle with 5 bars
3,0m – 4,0m rigid
4,0m – 10,0m hydraulic

A handwritten signature in blue ink, appearing to read 'Villy Christiansen', written over a horizontal line.

Nykøbing the 28th february 2011 Villy Christiansen

The undersigned is furthermore authorised to compile technical documentation for the above machine.

Delivery Check

Check the Top-Strigle for any damage when it is received at either the dealer and the final customer. Check that the frame construction has not been exposed to impacts. Check the air-pressure in the tires before operating.

Check the hydraulic hoses for cuts and squeezing damages. Check also the other hydraulic components, are not damaged during transport.

Machine description

The Top-Strigle is a 5 bar strigle which is suitable for aeration of pasture or spreading out heaps of straw as well as making seeds from weeds and wasted grain germinate. The machine can only be delivered as tail mounted option.

The machine can be delivered with two different types of tines:

- 12 mm x 440 mm tines for aeration of pasture
- 16 mm x 660 mm tines for spreading straw and make undesirable seeds germinate

Standard equipment:

- 5 hydraulic adjustable bars

Row spacing:

- With 12 mm long finger tines: 6,0 cm
- With 16 mm long finger tines: 8,3 cm

Distance between bars:

- 500 mm

Optional equipment:

- Support wheels 2x2 pcs. of 200/60x14,5"



Technical specifications

Working width	Tine size	Transport width	Transport-height	No. of tines	HP requirement	Weight in kg
3,0m rigid	16mm	3050	1500	36	95-115	930
4,0m rigid		4050	1500	48	110-135	1170
4,0m hydr.		1500	2100	48	110-135	1590
5,0m hydr.		1500	2600	60	130-155	1780
6,0m hydr.		1500	3100	72	155-180	1950
7,0m hydr.		1500	3600	84	190-230	2150
8,0m hydr.		1500	3600	96	225-275	2390
9,0m hydr. 3-sections		2960	3800	108	250-300	3170
10,0m hydr. 3-sections		2960	3800	120	250-300	3490
Tyre pressure			3,8 bar / 55 psi			
Oil pressure			min. 150 bar			
Hydraulic outlets			2 double acting			
Quick couplings, standard			Sterling type E 402			
Hydraulic oil: The machine is filled with			Hydro Texaco HD32 Specification DIN 51524-3 / ISO 11158 L-HV			



Safety around the Top-Strigle

Do not operate the machine, if **any people¹** are at risk in **the dangerous area²**.

When persons are at risk in the dangerous area (e.g. when doing adjustments, maintenance or connect or disconnecting), the following points must be met:

- Lower the machine on solid ground.
- Hydraulics must be relieved.
- Tractor must be turned off, and the key removed.
- Driver must be aware of, when operating that there is no persons at risk in the dangerous area.

Most accidents when operating the machine, transporting and doing maintenance occurs, when avoiding the most simple safety regulations.

For this reason, it is of highest importance, that any person who is operating the machine, strictly follows the safety regulations and other instructions, which belongs the machine.

The machine must only be operated, maintained and fixed by persons, who is confidential with and skilled for this work and is aware of moments of danger, which can occur.

ATTENTION!! Rotating parts and clothes in a loose condition, is a dangerous combination.

IMPORTANT!! It is strictly prohibited for any person to take place on the frame or chassis of the machine, when it is either operating or the tractor is idling.

Instructions for transport at public roads:

Before transport at public roads, make sure that the attachment of the implement to the tractor, is in accordance with the local rules and regulations in force (permitted total weight, permitted axel load, transport width, lights and warning signs).

When driving at public roads, the tines must be folded towards the frame. This will reduce the width of the machine substantially.

Front axel load:

When the implement is attached and at maximum load, the tractors driving properties must be ensured. Check that the front axel is sufficiently loaded. The front axel load must be at least 20% of the tractors weight. Permitted axel load and total weight for the tractor must be respected.

NB! The driving, controlling and braking properties are affected by the attached implement.

¹ People at risk: Any person, who is completely or partially in the dangerous area.

² Dangerous area: At the machine and underneath it, and in a distance of 4 m from it.

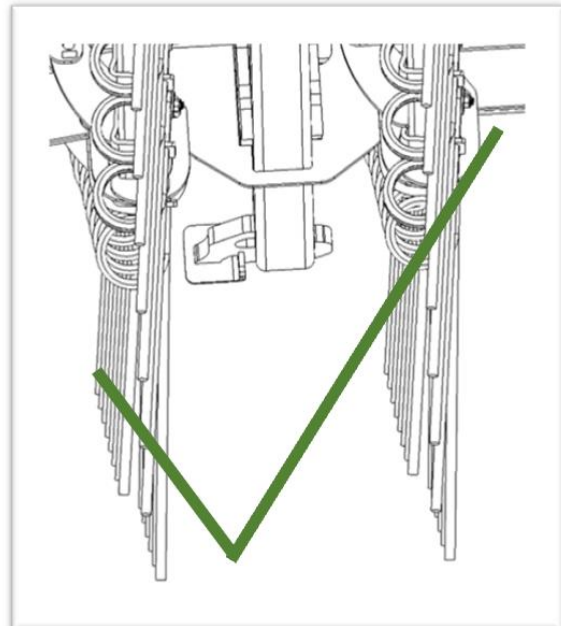
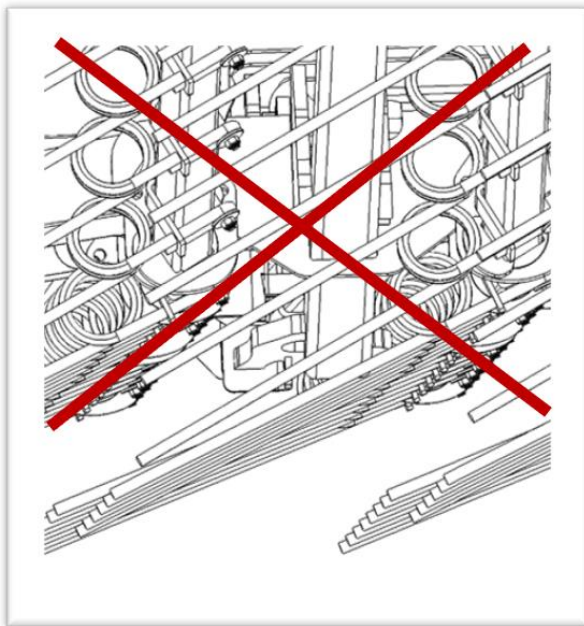


Safety Instructions, regarding Hydraulic System

- The highest allowable pressure, is 225 bar.
- It is recommended to mark the hydraulic connections between the implement and tractor, to avoid incorrect operation!
- When checking for hydraulic leaks, suitable safety gear must be used due to danger. (Safety, goggles, gloves, etc.)
At high pressure, hydraulic oil can penetrate the skin and cause serious injuries.
- Before any work at the hydraulic system, the implement must be lowered to solid ground. Pressure must be relieved, engine stopped, and ignition key removed.
- Check the hydraulic hoses on a regular basis, however, every six months as a minimum due to any cracks, wear and tear, etc. Replace any defective hoses immediately.
- Hydraulic hoses last for no more than 5 years.
New hydraulic hoses must be identical to the manufacturer's specifications.

Working with the Top-Strigle

Warning: For 9,0 - 10,0 meter machines only, when folding and unfolding wing sections the tines must always be in work position.



There is no standard tine angle recommended. The operator may adjust to achieve the desired results. The following issues listed must be taken in consideration:

- Actual settings will vary with tine wear
- Ensure frame is leveled horizontal
- Operate with the lift hydraulic in float position
- For best results in stubble operate at 14 - 18 km/h, in pasture 8 - 12 km/h
- A more aggressive tine angle will hold up straw for a longer period, allowing for a more even distribution of residue
- Breaking down straw is much more effective in dry conditions
- A second pass may be required in extremely heavy straw conditions. Then work the second pass at a 30° - 45° angle to how it was worked the first time
- To prevent tine damage, avoid tight turning

Maintenance

After 10 hours of operation, tightening of wheels, bearings and stop rings must be done. If this is not respected our warranty will lapse.

Maximum torque according to ISO 898-1 in Nm. w/lubricated thread			
Metric thread	Quality 8.8	Quality 10.9	Quality 12.9
M10x1,5	38	54	63
M12x1,75	66	95	110
M14x2,0	105	150	176
M16x2,0	164	235	274
M18x2,5	233	323	377
M20x2,5	331	458	535
M22x2,5	450	622	727
M24x3,0	572	791	925
Hub bolts M18x1,5 fine thread		360	
Hub bolts M22x1,5 fine thread		550	

Eventually damages at the paint must be repaired at least once in the season. This will preserve and make the machine stay in a good condition for many years.

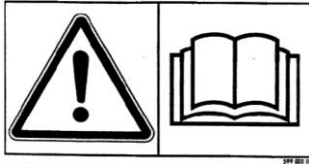


Markings on the machine

Several markings are located at your machine, which contains **safety regulations** and other instructions to inform about correct operating.

Please read these instructions carefully, and make the driver aware about the markings and **safety regulations** in this Operating Instructions. Keep the markings clean and readable. If they are not, they must be replaced.

Safety and other markings on the machine



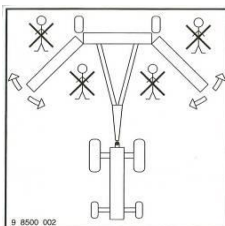
Study the Operating Instructions thoroughly before any operation of the machine and observe all safety instructions.



Plate with number and year of manufacture.



Plate with number and year of manufacture.



Take care that no persons are within the machine's hazardous area during the unfolding and folding procedure.

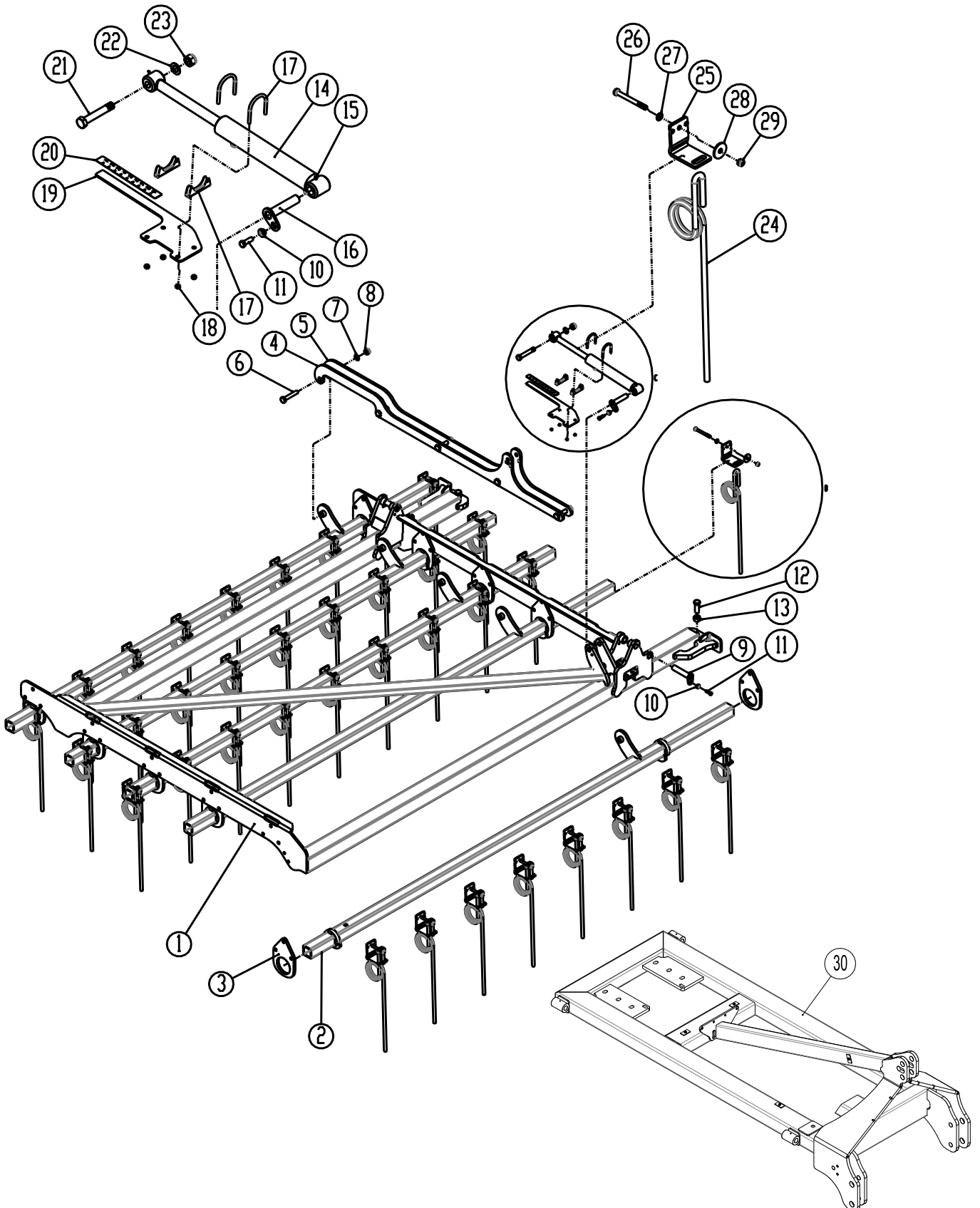
Disposal

When, after many years of use, the machine is to be regarded as end-of-life, it must be disposed of to a registered and approved product dealer. This will carry out the statutory discharge and disposal of hydraulic oil, as well as sorting materials for further processing for recycling.



Spare parts list

Right section, 5-bars w/Ø16 mm long finger tine 5,0 - 6,0 - 7,0 - 8,0 m



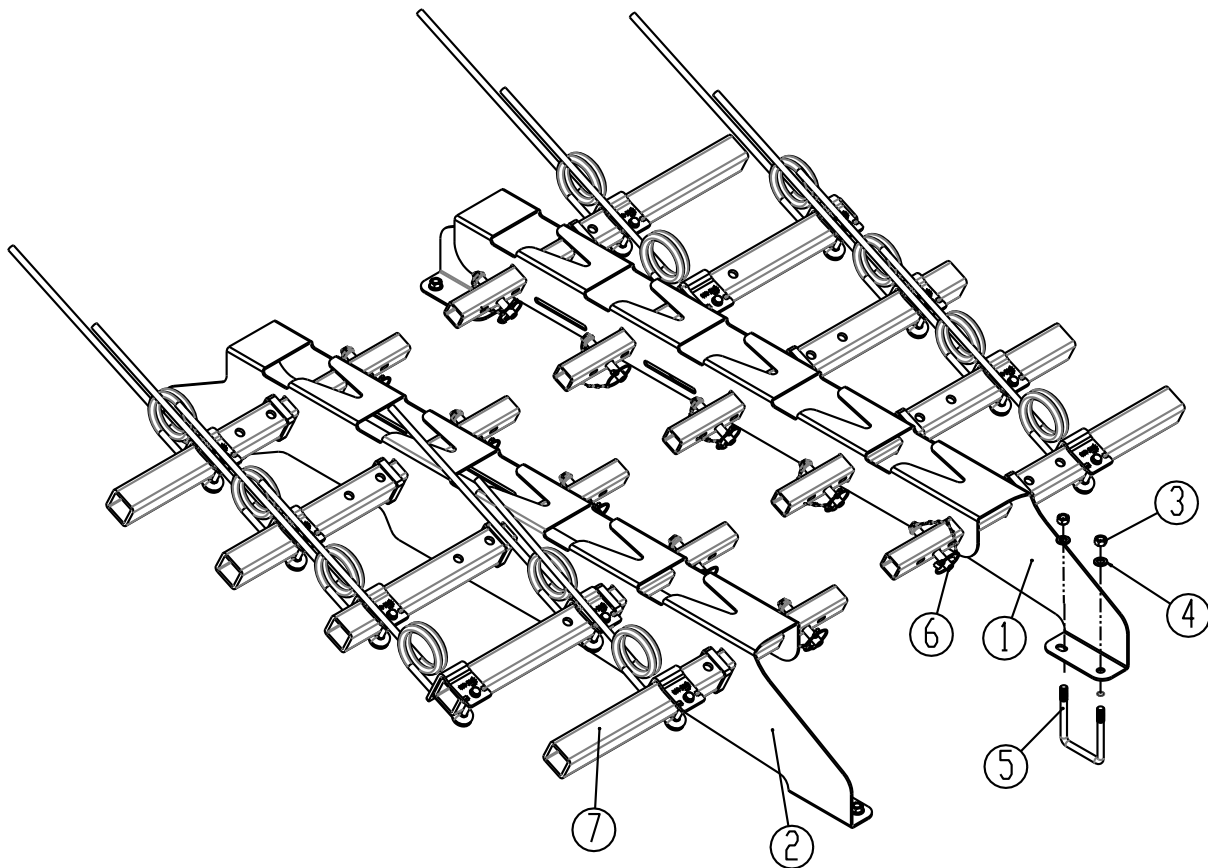
Pos.	Part no.	Description	5m	6m	7m	8m
1	1276236	Left section, welded (not shown)	1			
1	1276239	Right section, welded (not shown)	1			
1	1275219	Left section, welded (not shown)		1		
1	1275220	Right section, welded (not shown)		1		
1	1276252	Left section, welded, (not shown) <i>From machine number 709491</i>		1		
1	1276255	Right section welded, (not shown) <i>From machine number 709491</i>		1		
1	1275165	Left section, welded (not shown)			1	1
1	1275113	Right section, welded			1	1
1	1276233	Left section, welded (not shown) <i>From machine number 709446</i>			1	1
1	1276232	Right section, welded <i>From machine number 709446</i>			1	1
2	1276240	Bar, left (not shown)	5			
2	1276242	Bar, right (not shown)	5			
2	1275225	Bar, left (not shown)		5		
2	1275226	Bar, right (not shown)		5		
2	1276259	Bar left, (not shown) <i>From machine number 709491</i>		5		
2	1276258	Bar right, (not shown) <i>From machine number 709491</i>		5		
2	1275126	Bar, left (not shown)			5	5
2	1275164	Bar, right			5	5
2	1276341	Bar, left (not shown) <i>From machine number 709446</i>			5	5
2	1276342	Bar, right <i>From machine number 709446</i>			5	5
3	1275143	Holder for bar	20	20	20	20
4	1275129	Parallel bar left, w/welded fixation for bolts <i>Replaced the 22-06-2021 by 1275125, also on existing models</i>		1	1	1
4	1275127	Parallel bar right, w/welded fixation for bolts <i>Replaced the 22-06-2021 by 1275125, also on existing models</i>		1	1	1
5	1275125	Parallel bar	4	4	4	4
6	0236200	Bolt M20 x 110	10	10	10	10
7	0272310	Facet washer Ø20 DIN125B	10	10	10	10
8	0264110	Safety nut M20	10	10	10	10
9	69430145G	Pin Ø30 x 140 mm	4	4	4	4
10	630532600	Lock bushing for pin head	6	6	6	6
11	0235350	Bolt M12 x 35 mm	6	6	6	6
12	0236360	Bolt M24 x 65 mm 8.8 fzb for adjustment	4	4	4	4
13	0261425	Nut M24 as locknut	4	4	4	4
14	1290076	Cylinder 50/30 x 250 mm	2	2	2	2
15	690136001	Greasenipple M6 straight	4	4	4	4
16	664004007	Pin Ø25 x 115 mm	2	2	2	2



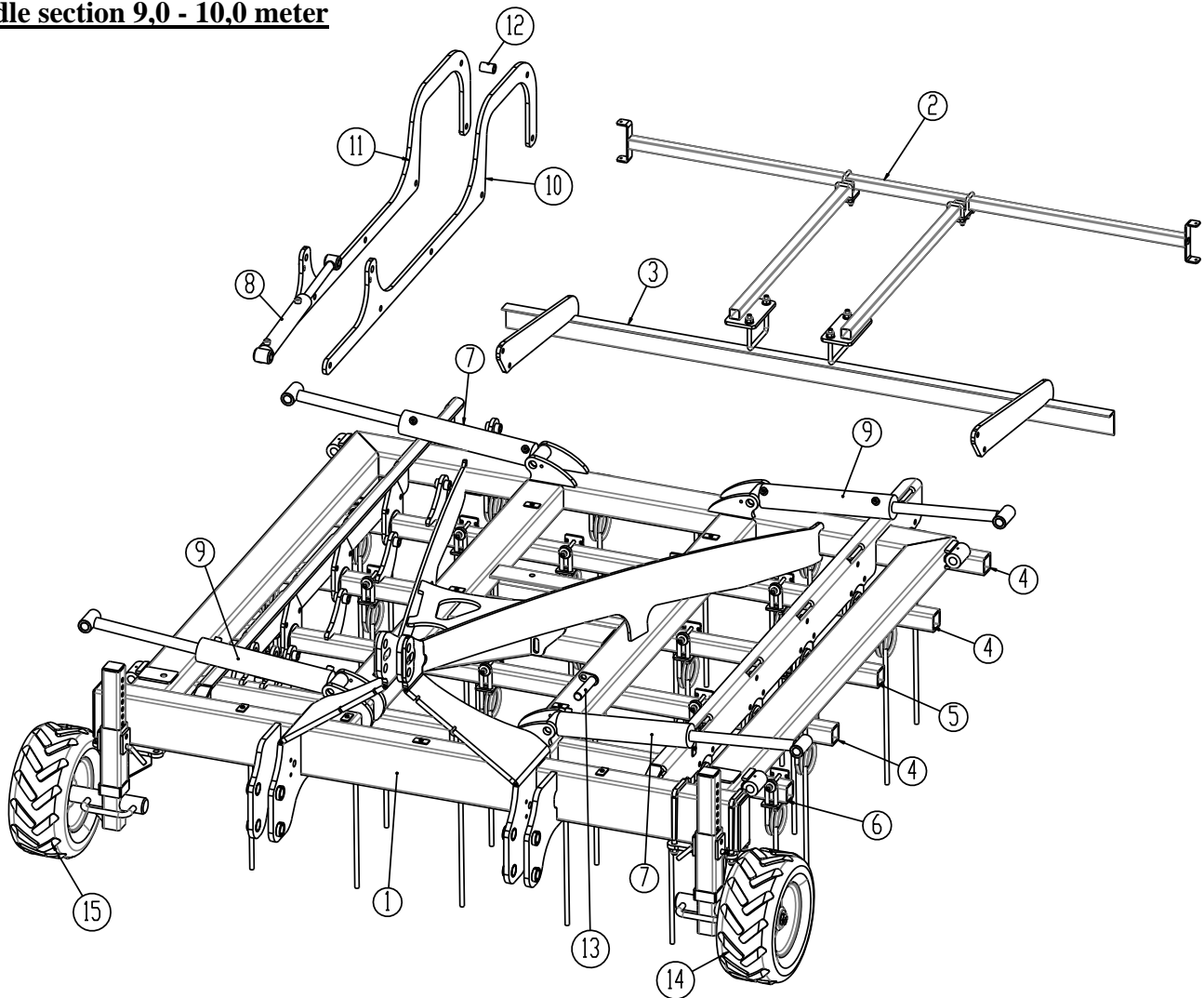
17	7355002	U-bolt	4	4	4	4
18	0261350	Nut M8 black	8	8	8	8
19	1275235	Plate for scala	1	1	1	1
20	1275239	Scala	1	1	1	1
21	0236210	Bolt M20x120 mm	2	2	2	2
22	0272310	Facet washer M20 DIN125B	2	2	2	2
23	0264110	Self-locking nut M20	2	2	2	2
24	633055609	Long finger tine Ø16 x H 655mm	60	72	86	96
25	633055612	Mounting bracket Ø12	60	72	86	96
26	0235485	Bolt M12x120 mm 10.9	60	72	86	96
27	0272270	Facet washer Ø12 DIN125B fzb	60	72	86	96
28	7355063	Clamping plate with cone	60	72	86	96
29	0264070	Self-locking nut M12 DIN125B fzb	60	72	86	96
	633055619	Long finger tine Ø16 x H 655mm. Complete. Pos. 24,25,26,27,28,29.	60	72	86	96
30	1275115	Main frame		1	1	1
30	1276282	Main frame <i>From machine number 709408</i>	1	1	1	1



Extension kit for 8 m



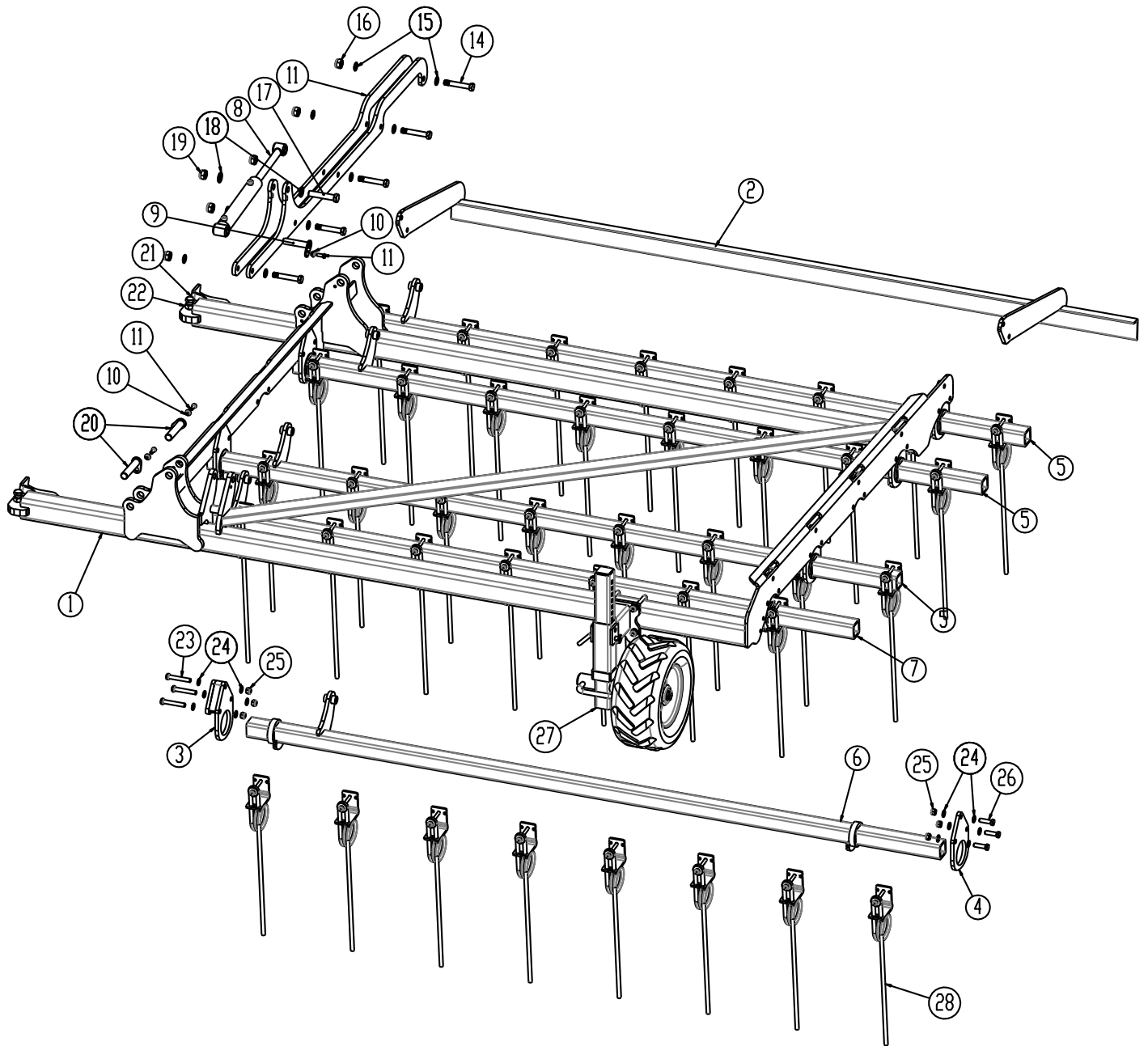
Pos.	Part no.	Description	8m
1	1275151	Holder for storage of extension bar, left	1
2	1275152	Holder for storage of extension bar, right	1
3	0261390	Self-locking Nut M16	8
4	0272290	Facet washer Ø16	8
5	690110101	U-bolt M16 100x100x100	4
6	630980400	Pin Ø19 L100 w/chain and ring pin	10
7	675163500	Extension plug 500mm, 70x70mm bar	10

Middle section 9,0 - 10,0 meter


Pos.	Part no.	Description	Qty.
1	1276067	Middle frame	1
2	1276225	Light bar	1
3	1276219	Bumper	1
4	1276062	Bar	3
5	1276107	Bar	1
6	1276109	Bar	1
7	690200301	Cylinder 80x40x400 ϕ 30/ ϕ 30 45° (H)	2
8	1290076	Cylinder 50/30x250	1
9	690200300	Cylinder 80x40x400 ϕ 30/ ϕ 30 45° (V)	2
10	1276094	Parallel bar w/locks for bolts. <i>Replaced the 22-06-2021 by 1276092, also on existing models</i>	1
11	1276092	Parallelbar	2
12	1275139	Bushing for distance	1
13	69430145G	Pin ϕ 30 L = 145	4
14	1276165	Support wheel (only middle frame) right	1
15	1276164	Support wheel (only middle frame) left	1



Side section 9,0 - 10,0 meter

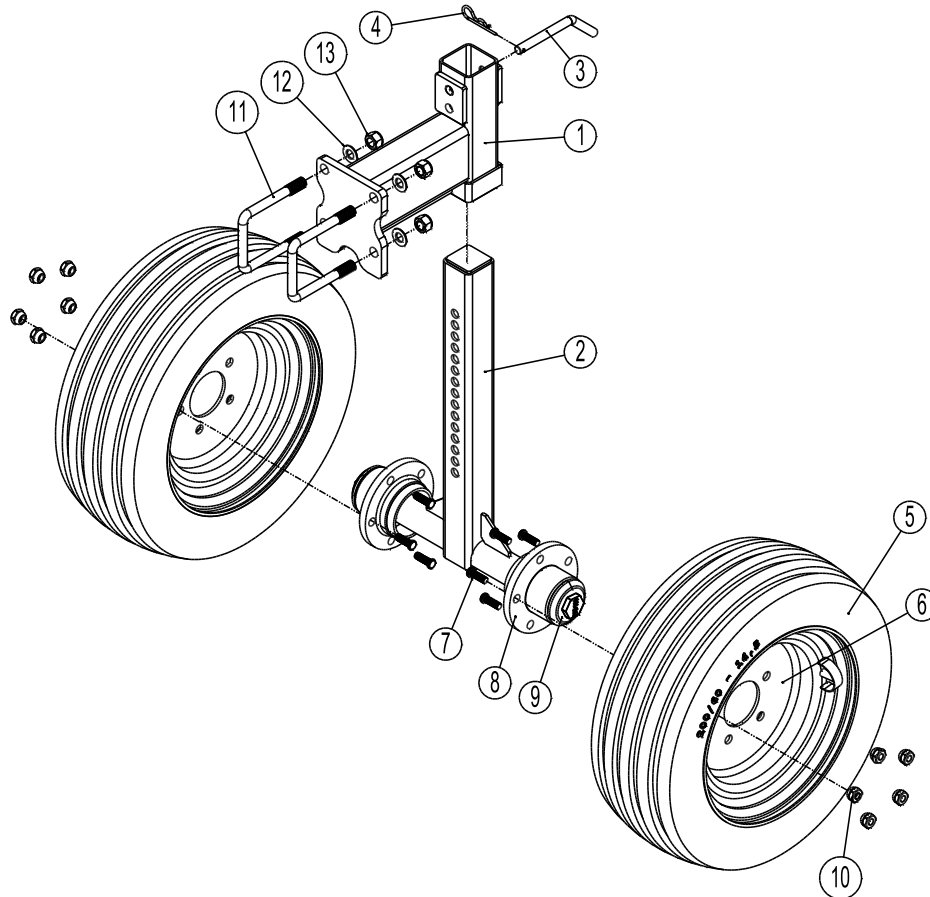


OBS: Quantity in this table relates to the whole machine

Pos.	Part no.	Description	Qty.
1	1276080	Side section left	1
1	1276081	Side section right	1
2	1276218	Bumper left	1
2	1276220	Bumper right	1
3	1275854	Bar holder, crippled 45mm	2
4	1275143	Bar holder	28
5	1276063	Bar, left	3
5	1276064	Bar, right	3
6	1276113	Bar, left	1
6	1276121	Bar, righth	1
7	1276117	Bar, left	1
7	1276122	Bar, right	1
8	1290076	Cylinder 50/30x250	3
9	664004007	Pin Ø25 L = 115	3
10	630532600	Lock bushing for pin head	15
11	0235340	Bolt M12x30	15
12	1275125	Parallel bar right and left wing	4
13	1275127	Parallel bar right wing w/locks for bolts <i>Replaced the 22-06-2021 by 1275125, also on existing models</i>	1
13	1275129	Parallel bar left wing w/locks for bolts <i>Replaced the 22-06-2021 by 1275125, also on existing models</i>	1
14	0236210	Bolt M20x120 8.8	16
15	0272310	Facet washer Ø20	32
16	0264130	Self locking nut M20	16
17	0236430	Bolt M24x120 8.8	3
18	0272330	Facet washer Ø24	6
19	0264130	Self locking nut M24	3
20	69430145G	Pin Ø30 L = 145	12
21	0236360	Set bolt M24x65 8.8	4
22	0261425	Nut M24	4
23	0235900	Bolt M16x100 8.8	6
24	0272290	Facet washer Ø16	180
25	0264090	Self locking nut M16	90
26	0235830	Bolt M16 8.8	84
27	1276200	Support wheel (only side section) left	1
27	1276195	Support wheel (only side section) right	1
28	633055619	Tine ø16 H = 655 mm, complete (see page 11)	108

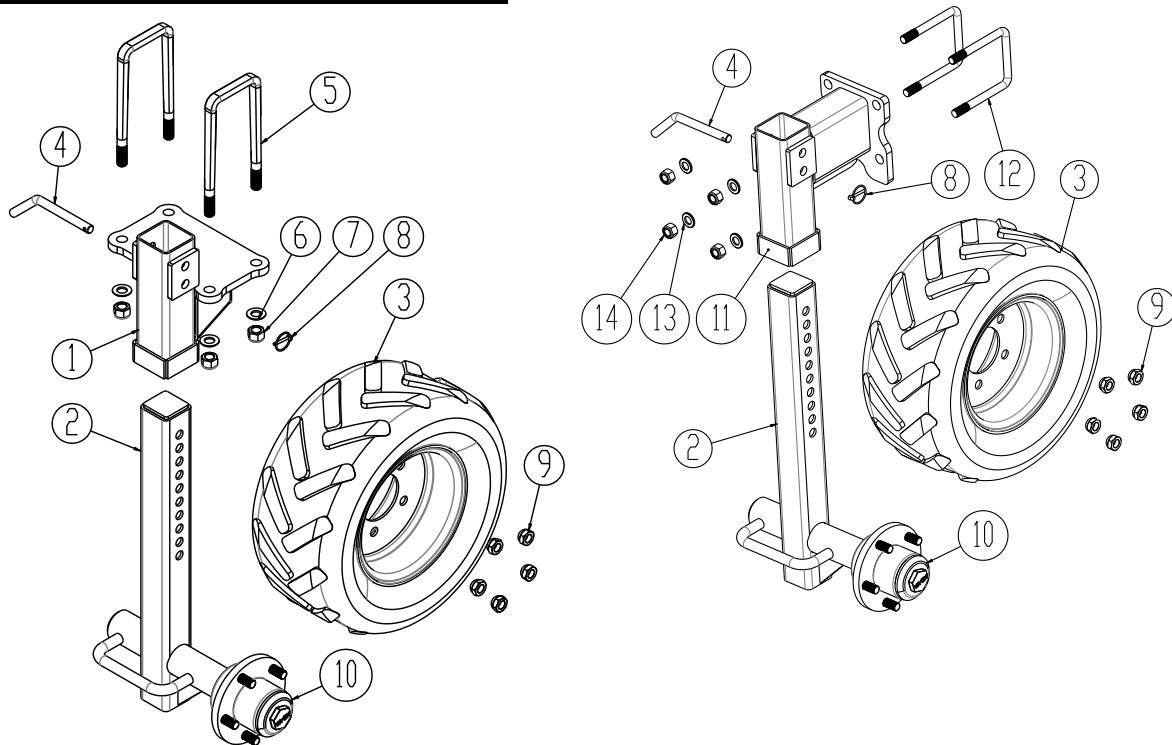


Wheels



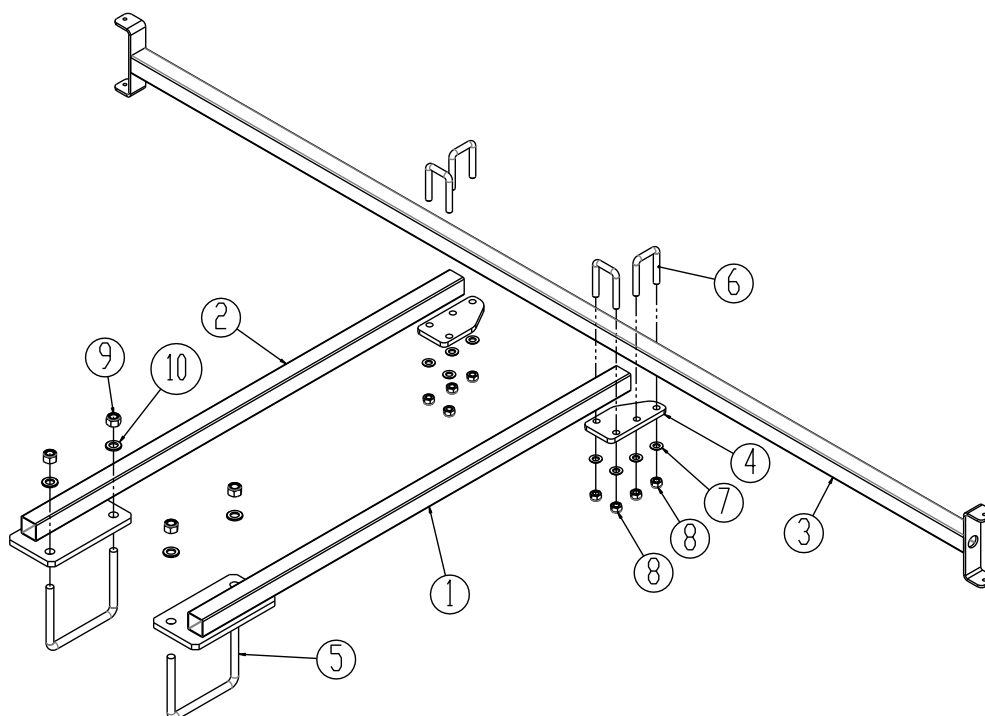
Pos.	Part no.	Description	Qty.
1	7330056	Console for wheel	1
2	7330047	Steel profile w/hub and axel	1
3	69516125A	Pin Ø16 S355J2	1
4	0377400	Hair-clip Ø4	1
5	0395630	Tire 200/60 – 14,5 10 ply	1
6	0395610	Rim 200/60 – 14,5 5/94/140 w/protection of valve	1
7	0395271	Hubbolt M16x1,5x50mm 10.9	10
8	0395431	Hub 5-holes	2
	0395433	Sealing cassette Ø90/Ø55 – 14/17mm	2
	0479010	Bearing (conical roller bearing) 30210 (Ø50)	2
	0478990	Bearing (conical roller bearing) 30207 (Ø35)	2
	0395242	Hub nut M27x1,5mm DIN937	2
9	0395436	Hub cab 78x3 m/gevind	2
10	690141116	Wheel nut M16x1,5 R19	10
11	690110404	U-bolt M18x100x100x100	2
12	0272300	Facet washer Ø18	4
13	0264100	Safety nut M18	4



Wheel 9,0 - 10,0 meter (additional equipment)


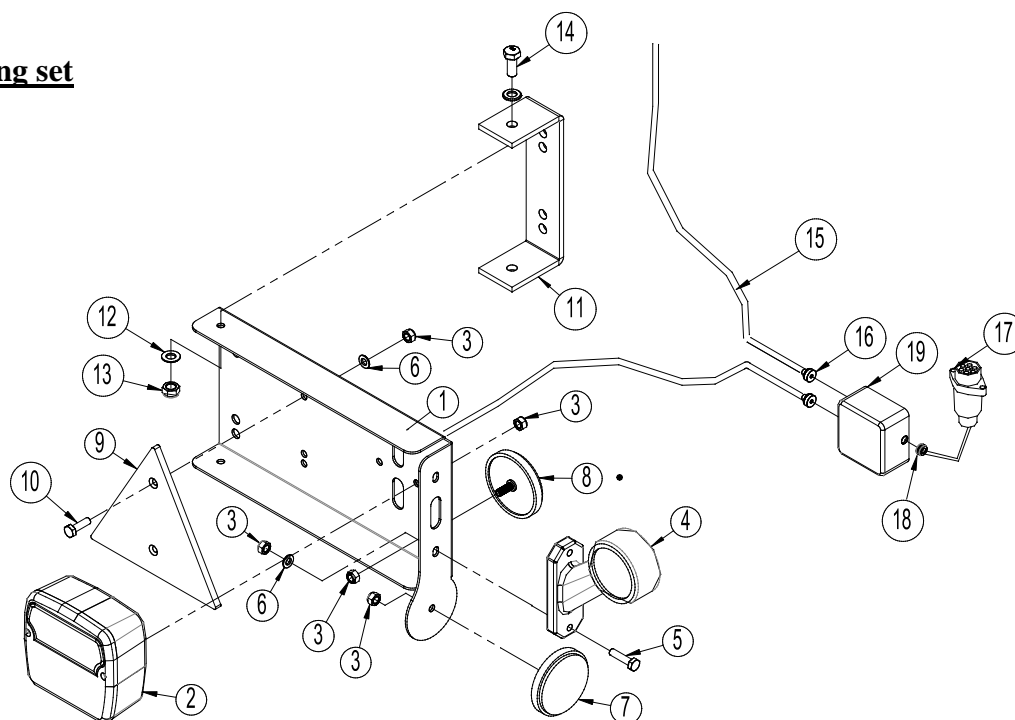
Pos.	Part no.	Description	Qty.
1	1276192	Console for support wheel middle frame left	1
1	1276192	Console for support wheel middle frame right	1
2	1276213	Hollow profile w/axel and hub, facing left	2
2	1276167	Hollow profile w/axel and hub, facing right	2
3	0394300	Complete wheel 20x8,00-10	4
	0394301	Tyre 20x8,00-10	4
	0394302	Rim 20x8,00-10 5/94/140	4
	0395433	Sealing cassette Ø90/Ø55 – 14/17mm	4
	0479010	Bearing (conical roller bearing) 30210 (Ø50)	4
	0478990	Bearing (conical roller bearing) 30207 (Ø35)	4
	0395242	Hub nut M27x1,5mm DIN937	4
	0395436	Hub cap 78x3 m/gevind	4
	0395271	Hub bolt M16x1,5x50mm 10.9	20
4	69516125A	Pin Ø16 S355J2	4
5	0382902	U-bolt M18x200x100x200	4
6	0272300	Facet washer Ø18	8
7	0264100	Self locking nut M18	8
8	690134001	Tractor clip Ø4,5	4
9	0395291	Hub nut M16x1,5 R19	20
10	0395431	Hub 5-holes 5/94/140	4
11	1276196	Console support wheel wing section right/left	2
12	690110101	U-bolt M16x100x100x100	4
13	0272290	Facet washer Ø16 DIN125B	8
14	0264090	Self locking nut M16	8



Light bar 9,0 - 10.0 meter


Pos.	Part no.	Description	Qty.
	1276225	Light bar complete	1
1	1276226	Holder for light bar left	1
2	1276227	Holder for light bar right	1
3	1275168	Light bar	1
4	1275159	Flange for mounting	2
5	0382800	U-bolt M16x100x150x100	2
6	690110050	U-bolt M12x40x40x40	4
7	0272270	Facet washer Ø12 fzb DIN125B	8
8	0264070	Self locking nut M12 fzb DIN985	8
9	0264090	Self locking nut M16 fzb DIN985	4
10	0272290	Facet washer Ø16 DIN125B	4

LED - Lighting set

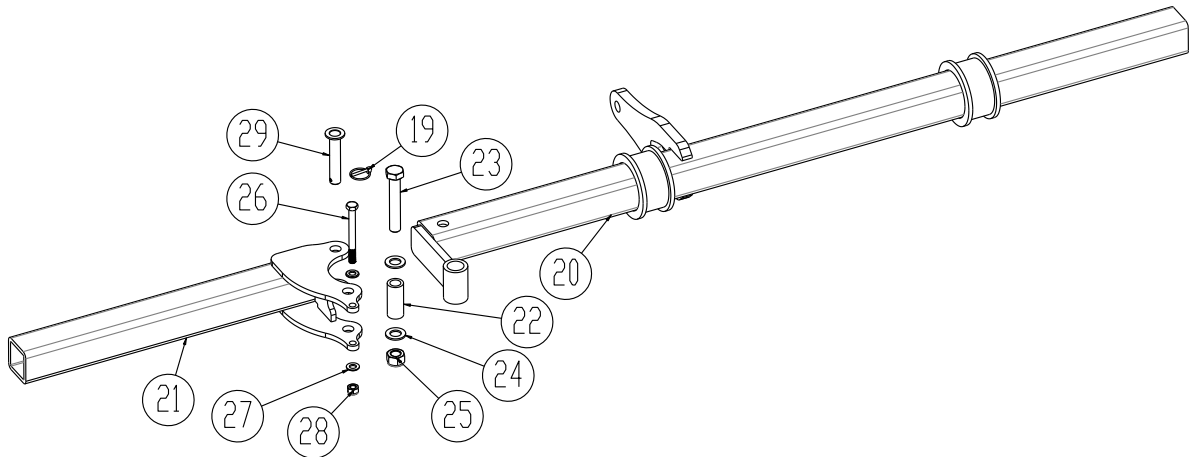
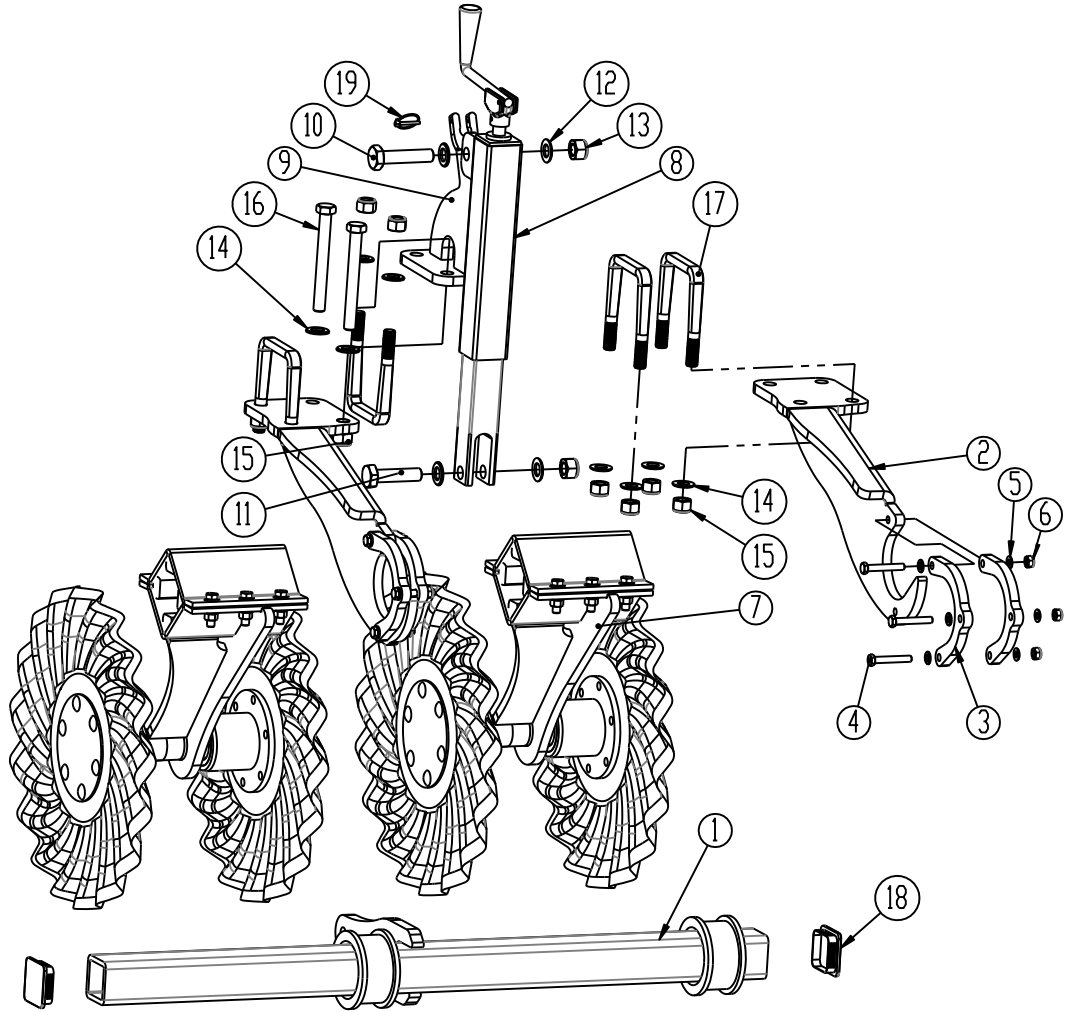


Pos.	Part no.	Description	Qty.
1	7357505	Lightbox (L)	1
	7357508	Lightbox (R)	1
2	7357504	Rear light	2
3	0264030	Locking nut M5	16
4	7357507	Marking lights (L)	1
	7357509	Marking lights (R)	1
5	0234340	Bolt M5x25	4
6	0272240	Facet plate Ø5	8
7	0656240	Reflex, yellow	2
8	0656250	Reflex, white	2
9	0521030	Reflex, red	2
10	0234330	Bolt M6x20	4
11	7357516	Bracket	2
12	0272250	Facetplate Ø8	16
13	0264050	Locking nut M8	8
14	0234750	Bolt M8x20	4
15	690160080	Cable 5 x 1mm ² (Inform length when ordering spare part)	
16	7357545	Rutaseal nipple M20 8-12mm Grey RAL7001	2
17	690160070	Plug 7 poles DIN 72 577 – ISO 1724	1
18	7357546	Rubberbushing Nr. 38A Ø10/3 black	1
19	0520492	Junction box 105x105x60	1

Note: Check number and measurements of all cables before ordering the spare parts.



Turbo-Disc

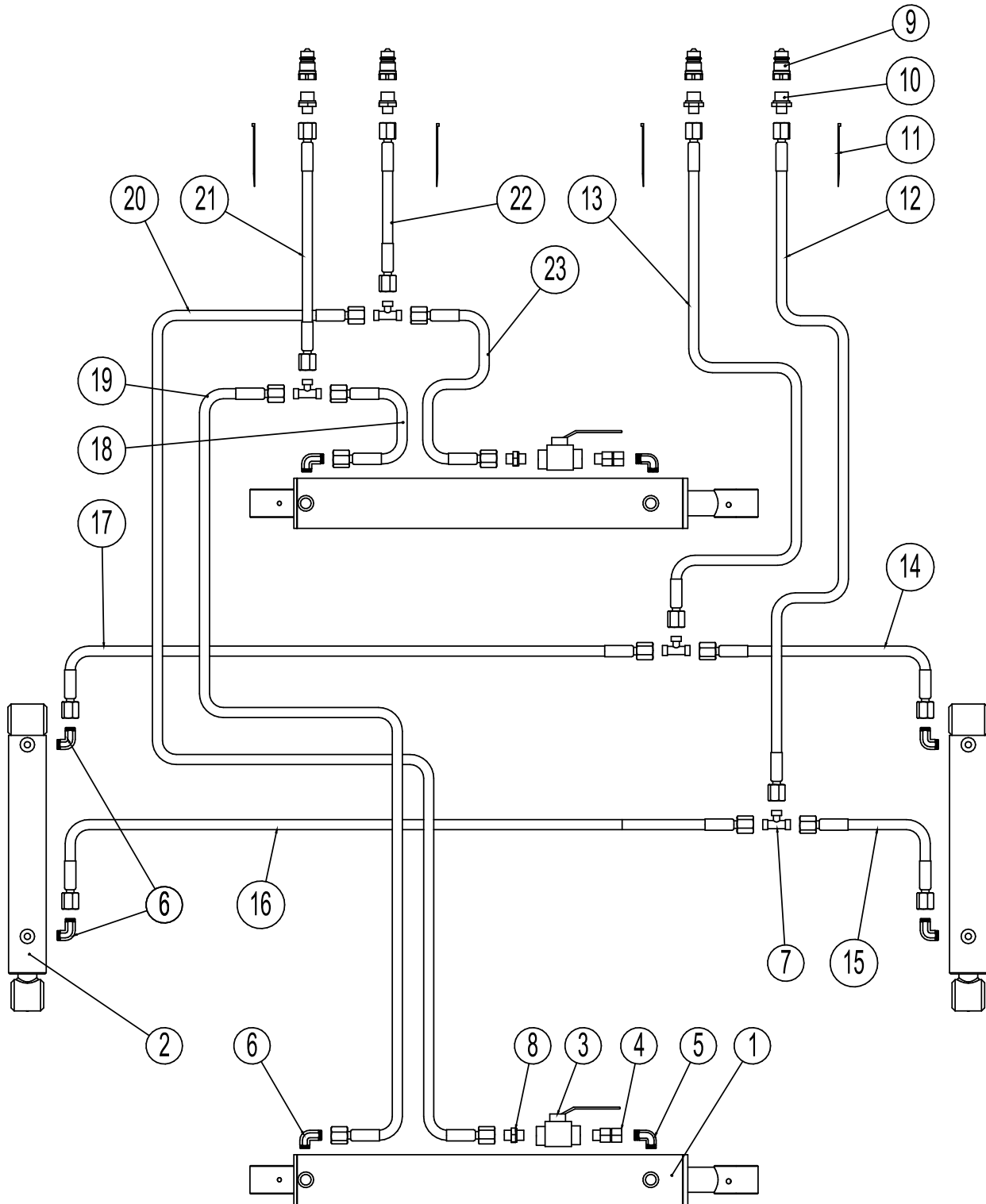


Pos.	Part no.	Description	6,0	7,0	8,0
1	1275481	Bar outer H/V 6,0 m	2		
1	1275537	Bar inner H/V 6,0 - 7,0 - 8,0 m (not shown)	2	2	2
1	1275536	Bar outer H/V 7,0 m (not shown)		2	
2	1275487	Horn right facing			3
2	1275516	Horn left facing			3
2	1276233	Horn closest to the middle frame left (not shown)	1	1	1
2	1276232	Horn closest to the middle frame right (not shown)	1	1	1
3	1215009	Mounting bracket for bar	16	16	16
4	0235120	Bolt M10x65 8.8	24	24	24
5	0272260	Facet washer Ø10	48	48	48
6	0264060	Self locking nut M10	24	24	24
7	1275490	Carrier arm	10	12	14
8	690304105	Spindel 60x60 Ø20/Ø20 360-560 mm	4	4	4
9	1275484	Console for spindle	4	4	4
10	0236190	Bolt M20x90 8.8	4	4	4
11	0236170	Bolt M20x80 8.8	4	4	4
12	0272310	Facet washer Ø20	16	16	16
13	0264110	Self locking nut M20	8	8	8
14	0272300	Facet washer Ø18	48	48	48
15	0264100	Self locking nut M18	40	40	40
16	0236050	Bolt M18x160	8	8	8
17	0382900	U-bolt M18x100x100x100	16	16	16
18	0489610	Plastic plug 70x70x5	8	8	8
19	0378200	Tractor clip Ø4,5	4	4	6
20	1275525	Bar outer w/hinge joint 8,0 m			2
21	1275518	Bar w/hinge joint for folding 8,0 m			2
22	1275522	Bushing for hinge joint			2
23	690103159	Hinge bolt M20x120 8.8			2
24	0272310	Facet washer Ø20			4
25	0264110	Self locking nut M20			2
26	0235480	Bolt M12x120 8.8			2
27	0272270	Facet washer Ø12			4
28	0264070	Self locking nut M12			2
29	69520096F	Pin Ø20 L = 96			2



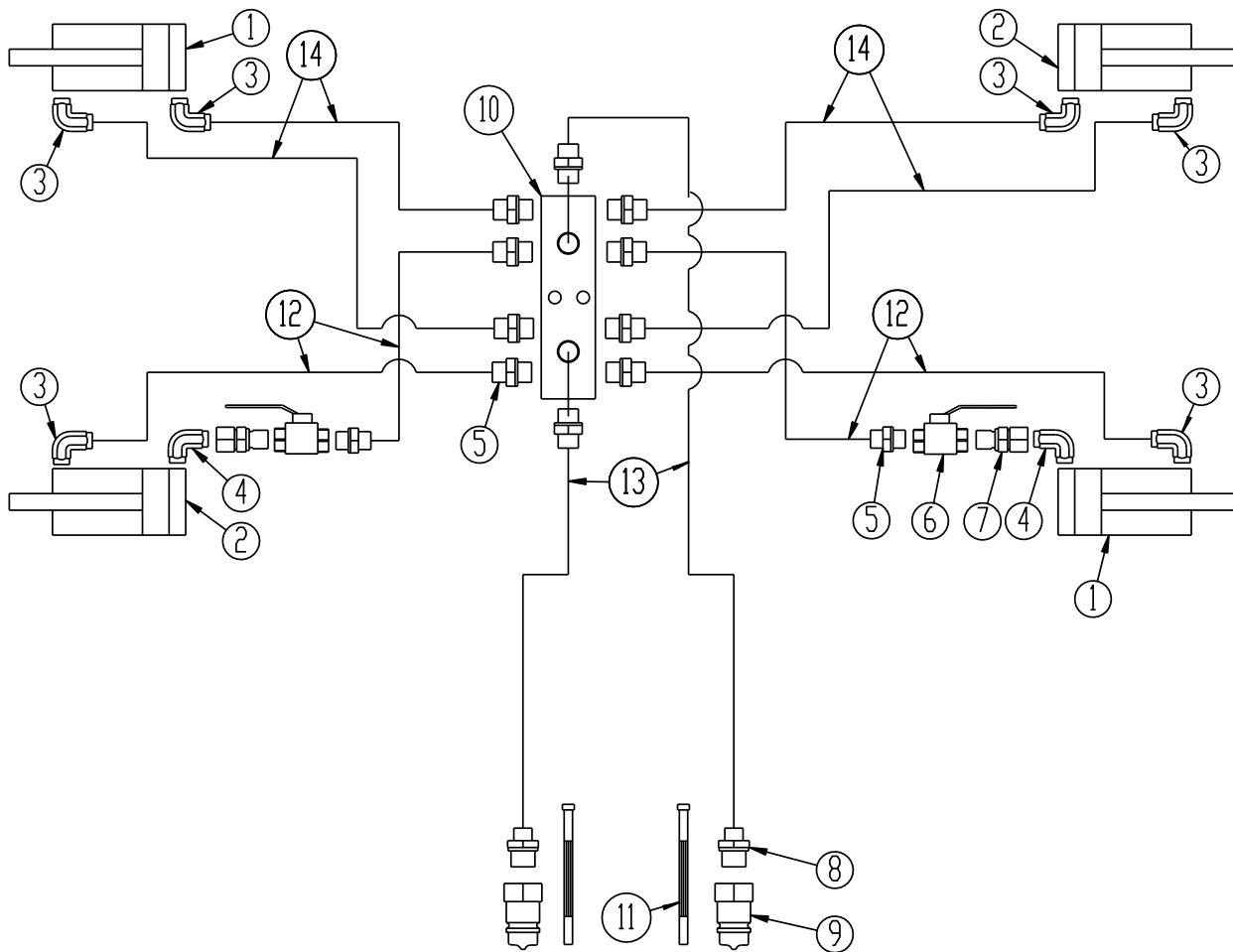
Hydraulics

5,0 - 8,0 meter 5 bar Top-Strigle



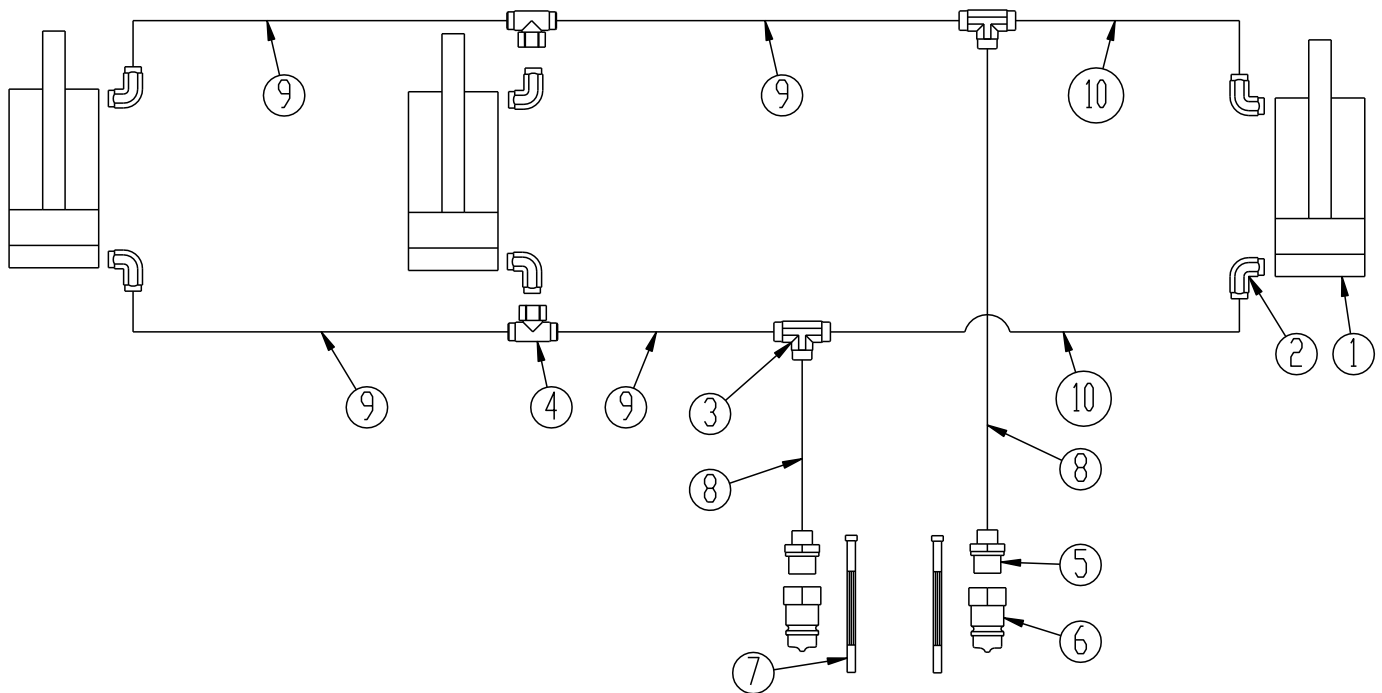
Pos.	Part no.	Description	5,0 - 6,0 - 7,0 - 8,0m
1	690200060	Cylinder 70/40 x 500	2
2	1290076	Cylinder 50/30 x 250	2
3	0442350	Ball valve 3/8"	2
4	690203130	Fitting, adjustable 12-3/8" mounted w/O-ring	2
5	690203106	Fitting 90° 12-3/8" BSP	2
6	690203006	Fitting 90° 10-3/8" BSP	6
7	690203015	Connector T10	4
8	0446751	Fitting straight Ø10 x 3/8"	2
9	0444020	Quick coupling 1/2", male	4
10	0446752	Fitting straight Ø10 x 1/2"	4
11	-	Straps, 2 pcs. green, 2 pcs. blue	4
12	690201033	Hydraulic hose 1/4" L = 2500 mm	1
13	690201033	Hydraulic hose 1/4" L = 2500 mm	1
14	0454250	Hydraulic hose 1/4" L = 1010 mm	1
15	0454250	Hydraulic hose 1/4" L = 1010 mm	1
16	0454250	Hydraulic hose 1/4" L = 1010 mm	1
17	0454250	Hydraulic hose 1/4" L = 1010 mm	1
18	0454211	Hydraulic hose 1/4" L = 710 mm	1
19	690201033	Hydraulic hose 1/4" L = 2500 mm	1
20	0454645	Hydraulic hose 1/4" L = 2300 mm	1
21	0454591	Hydraulic hose 1/4" L = 2000 mm	1
22	0454591	Hydraulic hose 1/4" L = 2000 mm	1
23	0454211	Hydraulic hose 1/4" L = 710 mm	1



Folding 9,0 - 10,0m


Pos.	Part no.	Description	9,0 - 10,0 m
1	690200301	Cylinder 80x40x400 $\varnothing 30/\varnothing 30$ 45° (H)	2
2	690200300	Cylinder 80x40x400 $\varnothing 30/\varnothing 30$ 45° (V)	2
3	690203006	Fitting 90° 10-3/8" BSP	6
4	690203106	Fitting 90° 12-3/8" BSP	2
5	0446751	Fitting straight $\varnothing 10$ x 3/8"	12
6	0442350	Ballvalve 3/8"	2
7	690203130	Fitting adjustable $\varnothing 12$ w/O-ring 3/8"	2
8	690203103	Fitting straight $\varnothing 12 \times 1/2$ " BSP	2
9	0444020	Quick coupling 1/2", male	2
10	660501440	Connecting block m/12 way 3/8" BSP	1
11		Straps	2
12	0454313	Hydraulic hose 1/4" L = 1130 mm	4
13	690201033	Hydraulic hose 1/4" L = 2500 mm	2
14	0454645	Hydraulic hose 1/4" L = 2300 mm	2



Tine angel 9,0 - 10,0 m


Pos.	Part no.	Description	9,0 - 10,0 m
1	1290076	Cylinder 50/30 x 250	3
2	690203006	Fitting 90° 10-3/8" BSP	6
3	690203015	Connector T10	2
4	690203014	Connector T10 adjustable	2
5	0446752	Fitting straight Ø10 x 1/2"	2
6	0444020	Quick coupling 1/2", male	2
7		Straps	2
8	690201033	Hydraulic hose ¼" L = 2500 mm	2
9	0454215	Hydraulic hose ¼" L = 820 mm	4
10	0454500	Hydraulic hose ¼" L = 1600 mm	2



as it looks

As good as it looks

As good as it looks

As good as it looks

As good as it looks



The design is subject to modification without notice.