

UK

# HE-VA



## Combi-Disc

Trailed 2-link models: 4,5 m - 5,5 m

Manual no. 8000501-10    26.11.24    Part 2 of 2



N. A. Christensensvej 34  
DK-7900 Nykøbing Mors  
Tel: 97724288  
Fax: 97722112  
[www.he-va.com](http://www.he-va.com)

## Contents

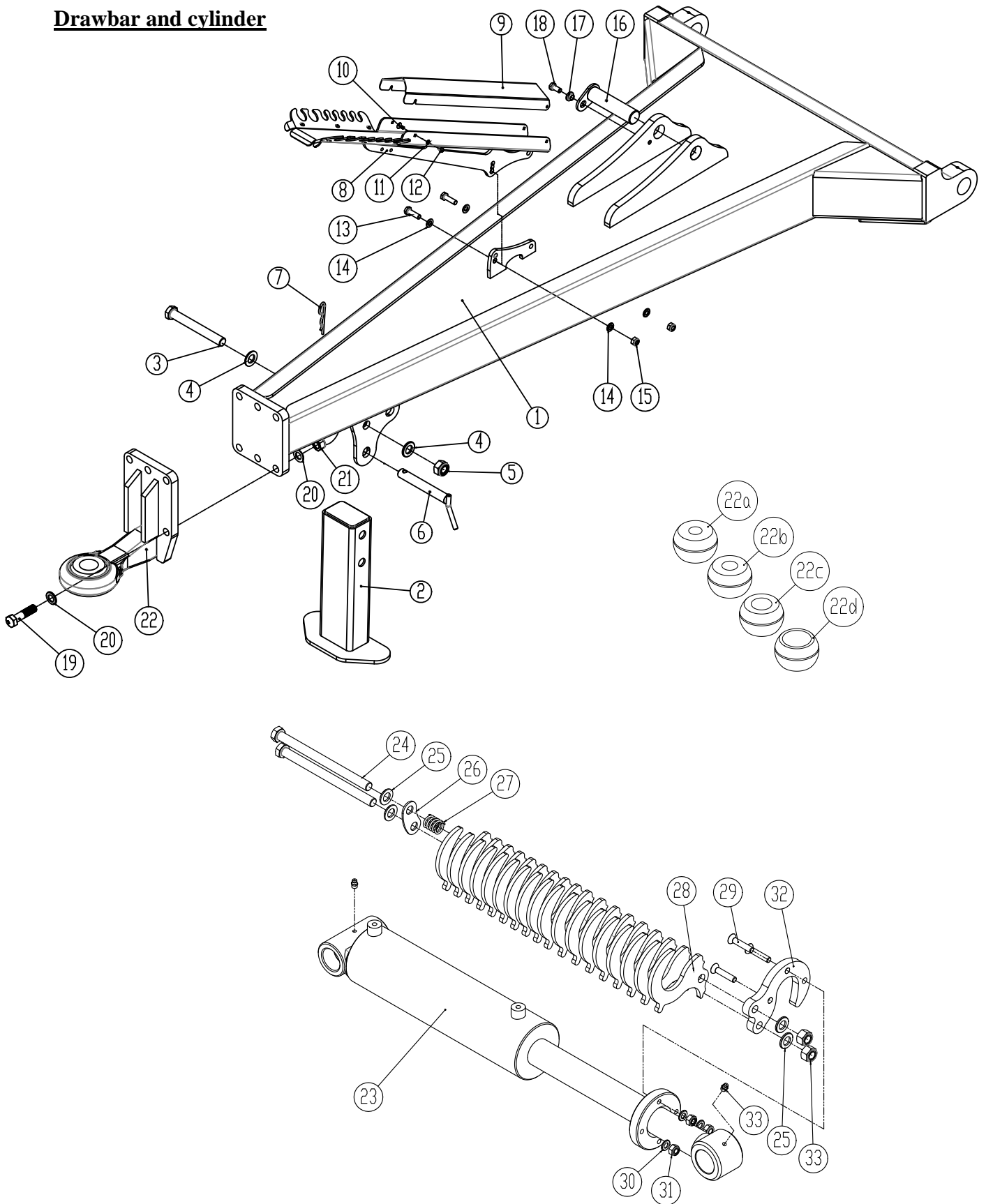
|   |    |
|---|----|
| Contents .....  | 2  |
| Spare parts list .....  | 4  |
| Drawbar and cylinder .....  | 4  |
| Pivoting Crossbar no. 630757077 Cat. 3 / Cat. 4 and Ball Hitch (Optional) .....             | 6  |
| Pivoting crossbar no. 630757034 Cat. 3 (Optional) .....                                     | 7  |
| Tine Quick Push with 200 mm wearing point, long and short as well as left/right model ..... | 8  |
| Tine Quick Push w/ 120 mm Easy Draft wearing point, long/short/ left/right .....            | 10 |
| Overview Quick Push tineholders .....   | 12 |
| Notes.....  | 13 |
| Tine hydraulic with 200 mm wearing point, long model, (short not shown).....                | 14 |
| Tine hydraulic with Easy Draft 120 mm wearing point, long model.....                        | 16 |
| Tiller middle frame and wings.....  | 18 |
| Support wheel.....  | 20 |
| Spindle for support wheel.....  | 21 |
| Middle frame for Disc-Roller .....  | 22 |
| Wheel frame .....   | 24 |
| Wings.....  | 26 |
| Lock claw system .....  | 28 |
| Single V-Profile roller – scraper – material damper guard .....                             | 30 |
| Double U/V-Profil roller – scraper – material damper guard.....                             | 31 |
| Rubber damped bearings and protection shield for ordinary bearings .....                    | 33 |
| U-Profile roller .....  | 34 |
| Notes.....  | 35 |
| Disc bars .....   | 36 |
| Disc.....   | 38 |
| Edge Equipment .....  | 40 |
| Disc cutter in front of tines (additional equipment) .....                                  | 42 |
| Lights.....   | 44 |
| Longfinger harrow (additional equipment) .....  | 46 |
| Electric dept stop for disc .....   | 48 |

|  |    |
|--|----|
| Hydraulic brake .....                          | 50 |
| Pneumatic brake .....                          | 51 |
| Hydraulic .....                                | 53 |
| Tiller folding cylinders .....                 | 53 |
| Drawbar and transport wheels .....             | 54 |
| Hydraulics for stone protection .....          | 55 |
| Linkage .....                                  | 57 |
| Folding 4,5m.....                              | 58 |
| Folding 5,5 m.....                             | 59 |
| Folding 5,5 m from machine number 355570 ..... | 61 |
| Complete hydraulic diagram folding .....       | 63 |
| Depth controller discs 4,5 meter.....          | 64 |
| Depth controller discs 5,5 meter.....          | 65 |



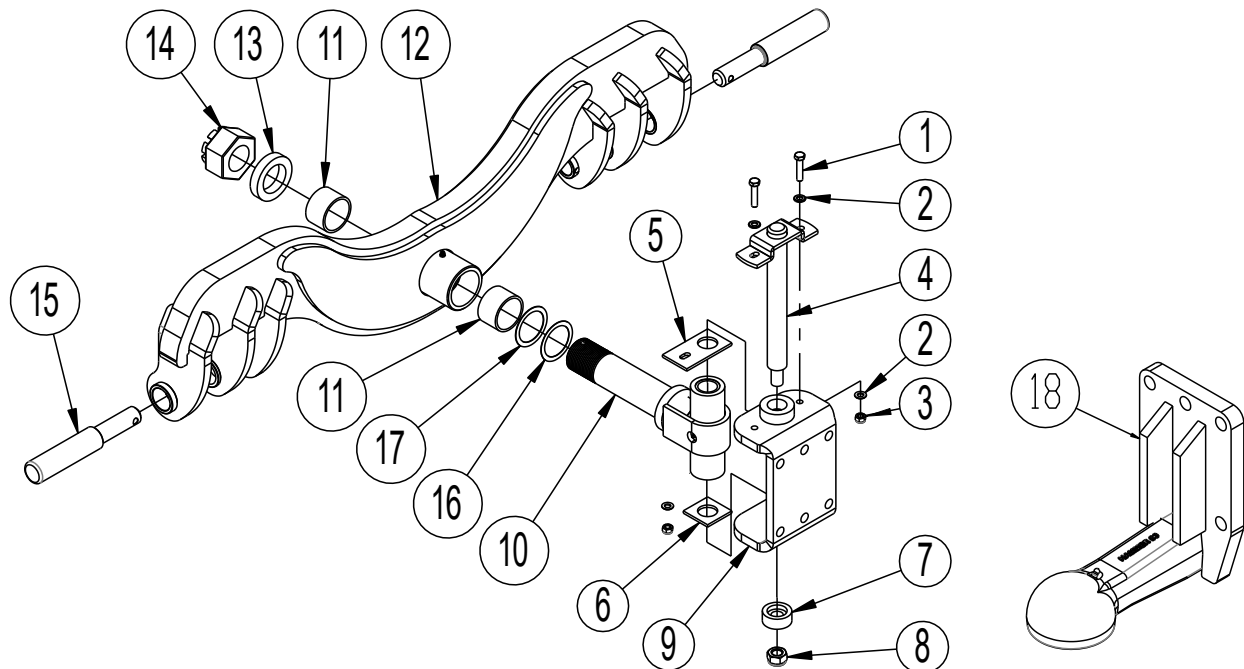
**Spare parts list**

**Drawbar and cylinder**



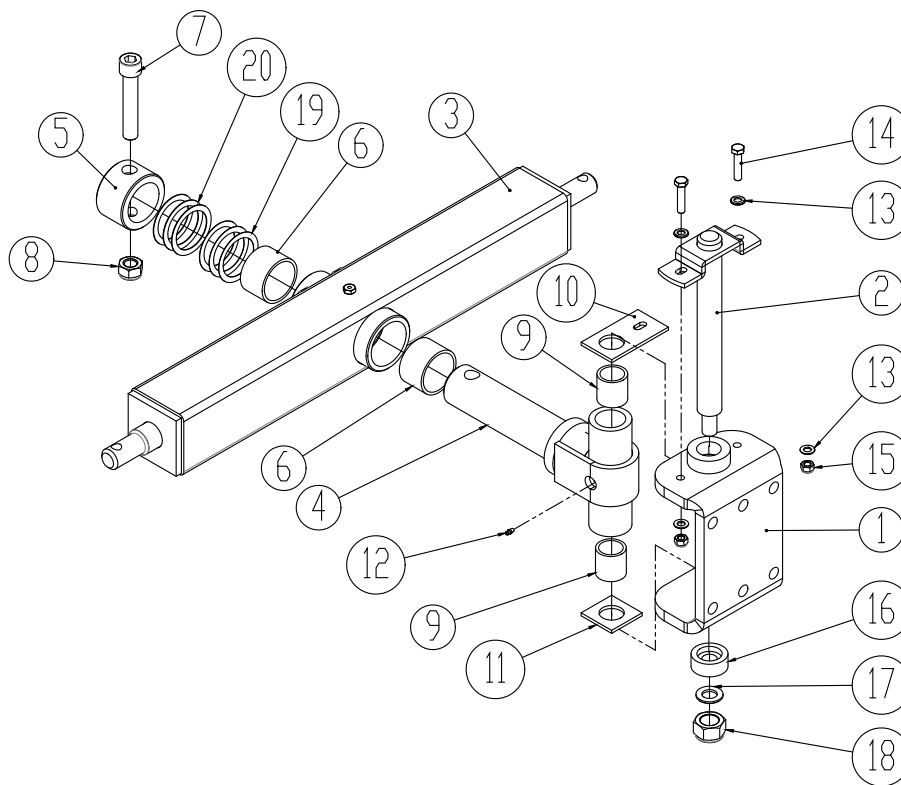
| Pos. | Item no.  | Designation   | 4,5m | 5,5m |
|------|-----------|---|------|------|
| 1    | 1285139   | Drawbar   | 1    | 1    |
| 2    | 1285146   | Support leg   | 1    | 1    |
| 3    | 0236500   | Bolt M24x190 8.8  | 1    | 1    |
| 4    | 0272330   | Facet washer Ø24 mm fzb   | 4    | 4    |
| 5    | 0264130   | Self-locking nut M24, 8.8 fzb DIN985                                  | 1    | 1    |
| 6    | 69525155B | Pin Ø25 L=155   | 1    | 1    |
| 7    | 0377600   | Hair-clip Ø6  | 1    | 1    |
| 8    | 7345006   | Hose parking, lower part  | 1    | 1    |
| 9    | 7345003   | Hose parking, upper part  | 1    | 1    |
| 10   | 0246060   | Carriage bolt M6x16 8.8   | 4    | 4    |
| 11   | 0272240   | Facet washer Ø6 mm, fzb   | 4    | 4    |
| 12   | 0264040   | Self-locking nut M6   | 4    | 4    |
| 13   | 0235360   | Bolt M12x40 8.8 fzb   | 2    | 2    |
| 14   | 0272270   | Facet washer 12mm, fzb DIN 125B                                       | 4    | 4    |
| 15   | 0264070   | Self-locking nut M12, fzb DIN985                                      | 2    | 2    |
| 16   | 1145304   | Pin Ø40 L=160   | 1    | 1    |
| 17   | 630532600 | Lock bushing for pin head   | 1    | 1    |
| 18   | 690101101 | Bolt M12x25 8.8   | 1    | 1    |
| 19   | 690103069 | Bolt M20x80 10.9  | 6    | 6    |
| 20   | 0272310   | Facet washer Ø20 DIN125B  | 12   | 12   |
| 21   | 0234110   | Self-locking nut M20  | 6    | 6    |
| 22   | 630757111 | Pivotal towing eye, Kat. 4, Ø39 mm                                    | 1    | 1    |
| 22   | 630757112 | Pivotal towing eye, Kat. 4, Ø51 mm                                    | 1    | 1    |
| 22   | 630757113 | Pivotal towing eye, Kat. 4, Ø71 mm                                    | 1    | 1    |
| 22a  | 630757132 | Ball for towing eye Ø33   |      |      |
| 22b  | 630757106 | Ball for towing eye Ø39   |      |      |
| 22c  | 630757107 | Ball for towing eye Ø51   |      |      |
| 22d  | 630757108 | Ball for towing eye Ø71   |      |      |
| 23   | 7345057   | Cylinder 100/50 - 280 ø40/ø45 complete w/distance clips               | 1    | 1    |
| 23a  | 690200284 | Gasket set 100/50 (Hydraflex)   |      |      |
| 23   | 7345174   | Cylinder 110/50 - 330 ø40/ø45 w/welded stop ring<br>From January 2021 | 1    | 1    |
| 23a  | 690200316 | Gasket set 110/50 Laizhou   |      |      |
| 24   | 0236010   | Bolt M16x220 8.8 fzb  | 2    | 2    |
| 25   | 0272290   | Facet washer Ø16 DIN125B  | 4    | 4    |
| 26   | 7345082   | Resistans holder plate 3mm  | 1    | 1    |
| 27   | 0431570   | Compression spring Ø3,2 x Dm 22 x Lo 50 x Nt 8                        | 1    | 1    |
| 28   | 7345081   | Adjusting plates 8 mm   | 18   | 18   |
| 29   | 0227852   | Bolt insex. 6-kt M10x50 8.8 UH fzb DIN7991                            | 3    | 3    |
| 30   | 0272260   | Facet washer Ø10 fzb DIN125B  | 3    | 3    |
| 31   | 0264060   | Self-locking nut M10 DIN 985  | 3    | 3    |
| 32   | 7345080   | Mounting flange for adjusting working depth                           | 1    | 1    |
| 33   | 0432510   | Grease nipple   | 2    | 2    |



**Pivoting Crossbar no. 630757077 Cat. 3 / Cat. 4 and Ball Hitch (Optional)**


| Pos. | Item no.  | Designation   | Pcs.  |
|------|-----------|---|-------|
| 1    | 0235390   | Bolt M12x55 mm, 8.8 fzb   | 2     |
| 2    | 0272270   | Faceted washer 12 mm, fzb Din 125B                                      | 4     |
| 3    | 0264070   | Self-locking nut M12, fzb DIN 985                                       | 2     |
| 4    | 1127870   | Draw pin vertical, complete   | 1     |
| 5    | 1128390   | Flatsteel 70x6x130, st. SB27W12CB                                       | 1     |
| 6    | 1127990   | Flatsteel 70x6x70, st. SB27W12CB  | 1     |
| 7    | 1127900   | Round-steel Ø60x25 mm, st. 50   | 1     |
| 8    | 0264130   | Self-locking nut M24 DIN985   | 1     |
| 9    | 1145335   | U-bracket for drawbar   | 1     |
| 10   | 630757076 | Draw shaft, complete  | 1     |
| 11   | 0475450   | I-Compress bushing EG Ø80/70x50mm                                       | 2     |
| 12   | 630757078 | Drawbar 2 point   | 1     |
| 13   | 7420000   | Round-steel Ø100x12mm, st. 50 ( <i>OBS: There must only be used</i>     | 1     |
| 13   | 7420001   | Round-steel Ø100x15mm, st. 50 <i>either no. 7420000 or no. 7420001)</i> | 1     |
| 14   | 0262500   | Castellated nut M64x4 KL6 DIN 935-1                                     | 1     |
| 15   | 69537273C | Round Steel E 360, st. 70-2   | 2     |
| 16   | 690140656 | Shim ring Ø70/Ø90x0,5mm DIN988, no. depending on tolerences             | 0 - 3 |
| 17   | 690140654 | Shim ring Ø70/Ø90x1,0mm DIN988 no. depending on tolerences              | 0 - 3 |
| 18   | 630757023 | Ball Hitch Ø80  | 1     |

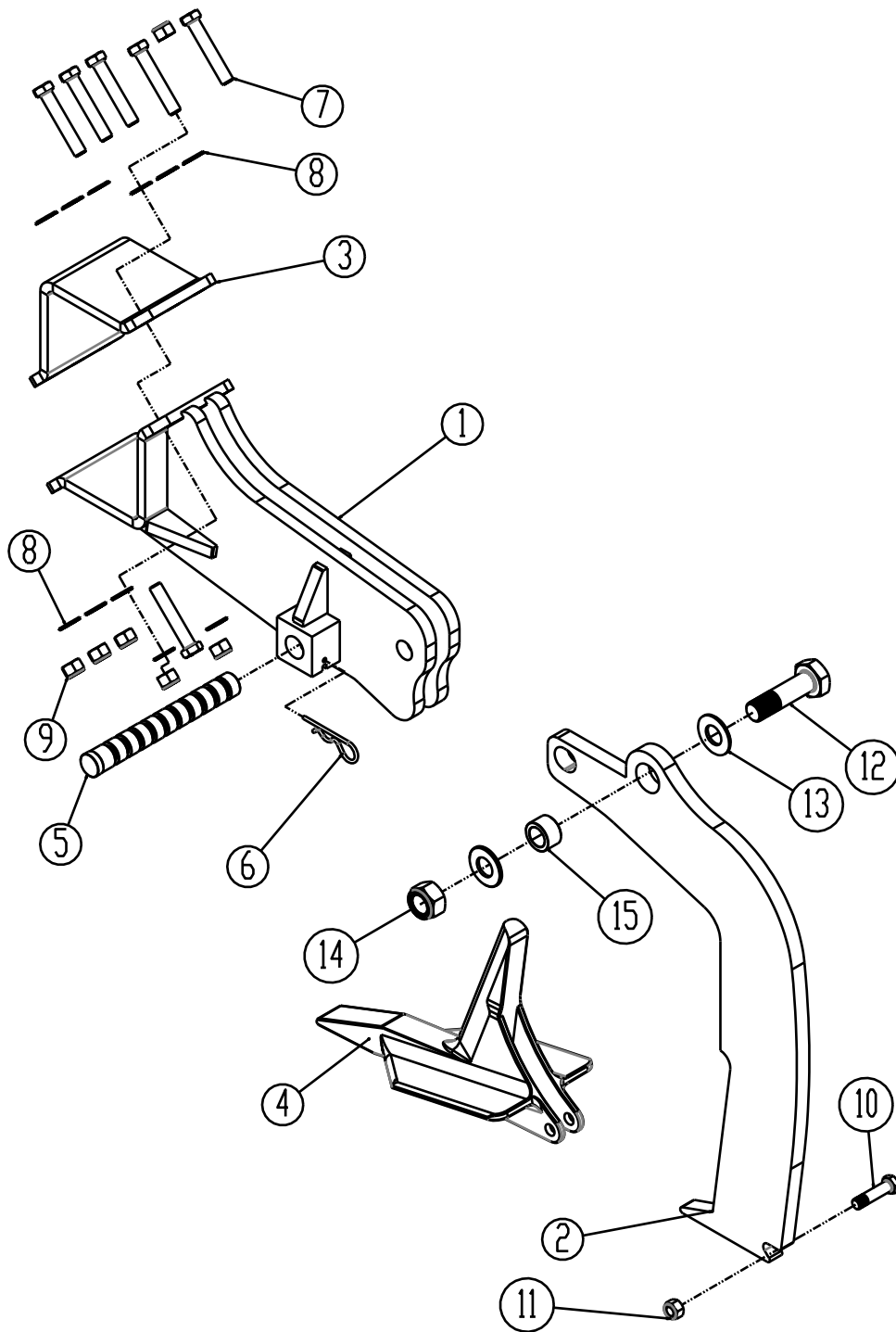


**Pivoting crossbar no. 630757034 Cat. 3 (Optional)**


| Pos. | Item no.  | Designation   | Pcs.  |
|------|-----------|---|-------|
| 1    | 1145335   | U-bracket for drawbar                                       | 1     |
| 2    | 112787-0  | Draw pin vertical, complete                                 | 1     |
| 3    | 112791-1  | Drawbar 2-point, cat. 3                                     | 1     |
| 4    | 112800-1  | Draw shaft, complete  | 1     |
| 5    | 112804-1  | Round-steel Ø100 60mm St. 50                                | 1     |
| 6    | 0475450   | I-Compress bushing EG Ø80/70x50mm                           | 2     |
| 7    | 0227935   | Insex. 6-kt CH M24x130 12.9 DIN912                          | 1     |
| 8    | 0264130   | Self-locking nut M24, 8.8 fzb DIN985                        | 1     |
| 9    | 0475350   | I-Compress bushing EG Ø50/40x50mm                           | 2     |
| 10   | 112839-0  | Flatsteel 70x6x130 st. SB27M12CB                            | 1     |
| 11   | 112799-0  | Flatsteel 70x6x70 st. SB27M12CB                             | 1     |
| 12   | 0432100   | Grease nipple M6x1  | 1     |
| 13   | 0272270   | Facet washer Ø12 fzb DIN 125B                               | 4     |
| 14   | 0235390   | Bolt M12x55mm, 8.8 fzb                                      | 2     |
| 15   | 0264070   | Self-locking nut M12 fzb DIN985                             | 2     |
| 16   | 1127900   | Round-steel Ø60 25mm st. 50                                 | 1     |
| 17   | 0272330   | Faceted washer Ø24 fzb                                      | 1     |
| 18   | 0264130   | Self-locking nut M24 DIN985                                 | 1     |
| 19   | 690140656 | Shim ring Ø70/Ø90x0,5mm DIN988, no. depending on tolerances | 0 - 3 |
| 20   | 690140654 | Shim ring Ø70/Ø90x1mm DIN988, no. depending on tolerances   | 0 - 3 |

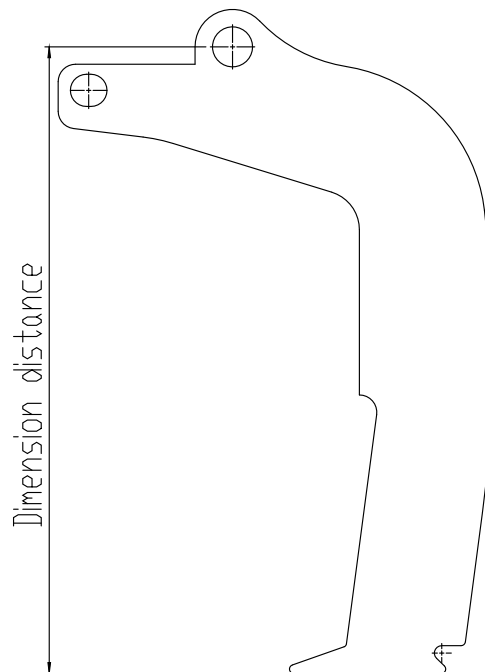


**Tine Quick Push with 200 mm wearing point, long and short as well as left/right model**

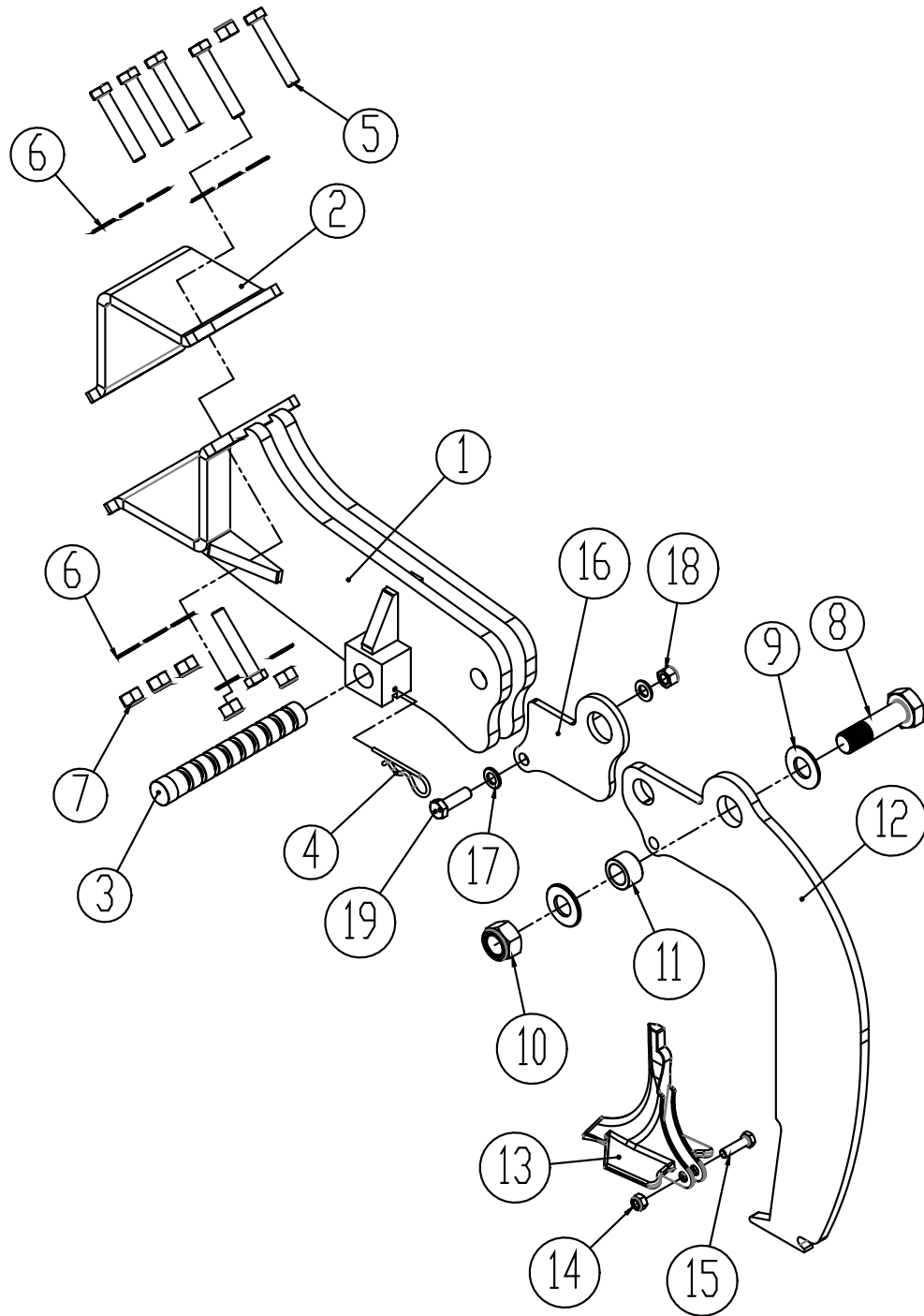




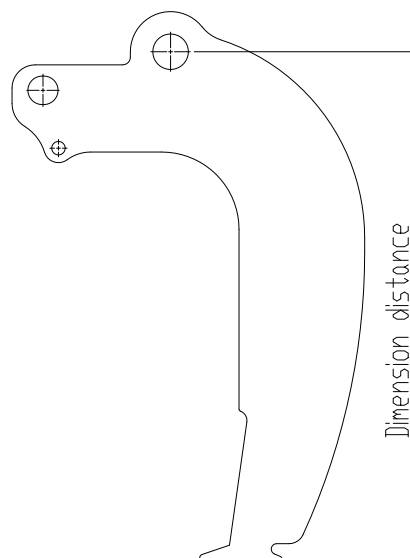
| Pos. | Item no.  | Designation   | Long model | Short model |
|------|-----------|---|------------|-------------|
|      | 1237139   | Tine complete w/tine holder, Quick-Push left long   |            |             |
|      | 1237135   | Tine complete w/tine holder, Quick-Push left short  |            |             |
|      | 1237141   | Tine complete w/tine holder, Quick-Push right long  |            |             |
|      | 1237133   | Tine complete w/tine holder, Quick-Push right short |            |             |
| 1    | 1237136   | Quick-Push tine holder, left long                   | 1          |             |
| 1    | 1237134   | Quick-Push tine holder, left short                  |            | 1           |
| 1    | 1237140   | Quick-Push tine holder, right long                  | 1          |             |
| 1    | 1237126   | Quick-Push tine holder, right short                 |            | 1           |
| 2    | 1237090   | Tine 25mm Hardox 500, dimension distance 720 mm     | 1          | 1           |
| 3    | 645200061 | Mounting bracket 15mm Domex 420 MC                  | 1          | 1           |
| 4    | 645000044 | Wearing point 200 mm wide                           | 1          | 1           |
| 5    | 645000059 | Shear pin Ø36 34CrNiMo6 <b>Yellow Zink Plated</b>   | 1          | 1           |
| 6    | 0377600   | Hair pin Ø6   | 1          | 1           |
| 7    | 690103324 | Bolt M18x100 10.9                                   | 7          | 7           |
| 8    | 0272300   | Facetwasher Ø18                                     | 13         | 13          |
| 9    | 0264100   | Self-locking nut M18                                | 7          | 7           |
| 10   | 0235852   | Bolt M16x65 8.8                                     | 1          | 1           |
| 11   | 0264090   | Self-locking nut M16                                | 1          | 1           |
| 12   | 690103869 | Bolt M30x110 10.9                                   | 1          | 1           |
| 13   | 0272350   | Facet washer Ø30 mm fzb                             | 2          | 2           |
| 14   | 0264155   | Self-locking nut M30                                | 1          | 1           |
| 15   | 645000113 | Bushing for tine                                    | 1          | 1           |



**Tine Quick Push w/ 120 mm Easy Draft wearing point, long/short/ left/right**



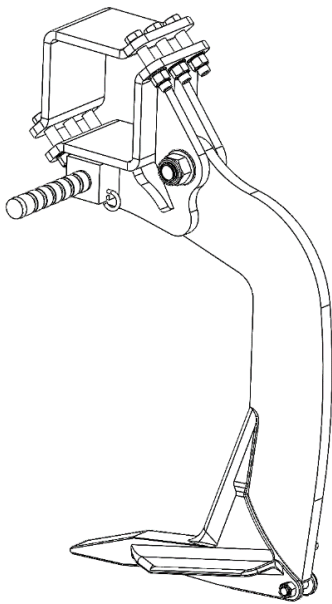
| Pos. | Item no.  | Designation   | Long model | Short model |
|------|-----------|---|------------|-------------|
|      | 1237232   | Tine complete w/tine holder, Quick-Push left long   |            |             |
|      | 1237234   | Tine complete w/tine holder, Quick-Push left short  |            |             |
|      | 1237239   | Tine complete w/tine holder, Quick-Push right long  |            |             |
|      | 1237240   | Tine complete w/tine holder, Quick-Push right short |            |             |
| 1    | 1237136   | Quick-Push tine holder, left long                   | 1          |             |
| 1    | 1237134   | Quick-Push tine holder, left short                  |            | 1           |
| 1    | 1237140   | Quick-Push tine holder, right long                  | 1          |             |
| 1    | 1237126   | Quick-Push tine holder, right short                 |            | 1           |
| 2    | 645200061 | Mounting bracket 15mm Domex 420 MC                  | 1          | 1           |
| 3    | 645000925 | Shear pin Ø36 34CrNiMo6 <b>Black Zink Plated</b>    | 1          | 1           |
| 4    | 0377600   | Hair-clip Ø6  | 1          | 1           |
| 5    | 690103324 | Bolt M18x100 10.9                                   | 7          | 7           |
| 6    | 0272300   | Facet washer Ø18                                    | 13         | 13          |
| 7    | 0264100   | Self-locking nut M18                                | 7          | 7           |
| 8    | 690103869 | Bolt M30x110 10.9                                   | 1          | 1           |
| 9    | 0272350   | Facet washer Ø30 mm fzb                             | 2          | 2           |
| 10   | 0264155   | Self-locking nut M30                                | 1          | 1           |
| 11   | 645000113 | Bushing for tine                                    | 1          | 1           |
| 12   | 1237235   | Tine 15mm Hardox 500, dimension distance 660 mm     | 1          | 1           |
| 13   | 645000056 | Low Draft cast wearing point 120 mm w/wolfram plate | 1          | 1           |
| 14   | 0264070   | Self-locking nut M12, fzb DIN985                    | 1          | 1           |
| 15   | 0235380   | Bolt M12x50 8.8                                     | 1          | 1           |
| 16   | 1237237   | Sims 10 mm plate S235                               | 1          | 1           |
| 17   | 690117013 | Facet washer Ø16                                    | 2          | 2           |
| 18   | 690113008 | Self-locking nut M16                                | 1          | 1           |
| 19   | 690103197 | Bolt M16x50 8.8                                     | 1          | 1           |



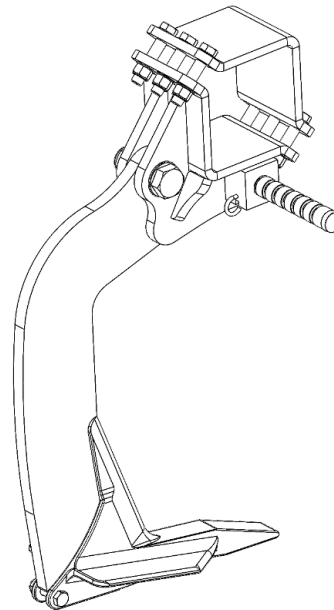
**Overview Quick Push tineholders**

**Notice:** When ordering spare parts for tine holders be aware that there on each machine with Quick-Push are 4 different models of tine holders. Respectively left/right models which also are in long and short. The different models are shown below here with 200 mm wearing points. The complete tine is available in the same conditions for the 120 mm Easy Draft wearing point in the same tine holder.

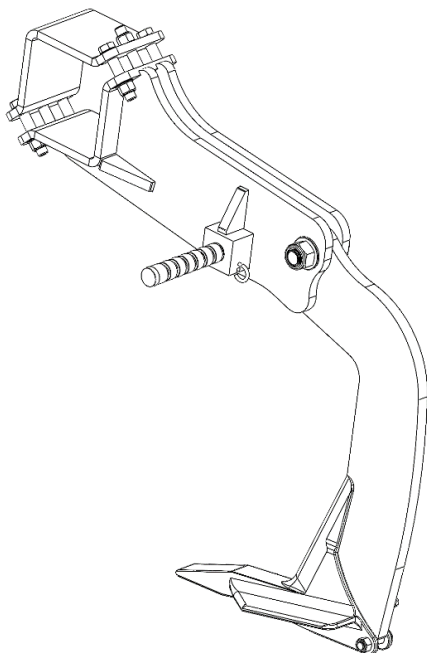
Complete tine with holder, left short  
No. 1237135



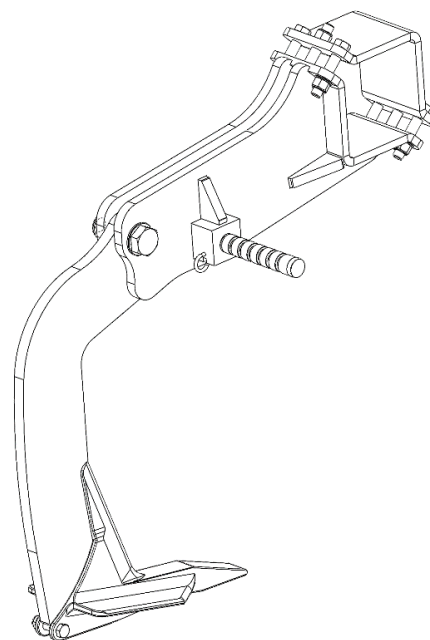
Complete tine with holder, right short  
No. 1237133



Complete tine with holder, left long  
No. 1237139



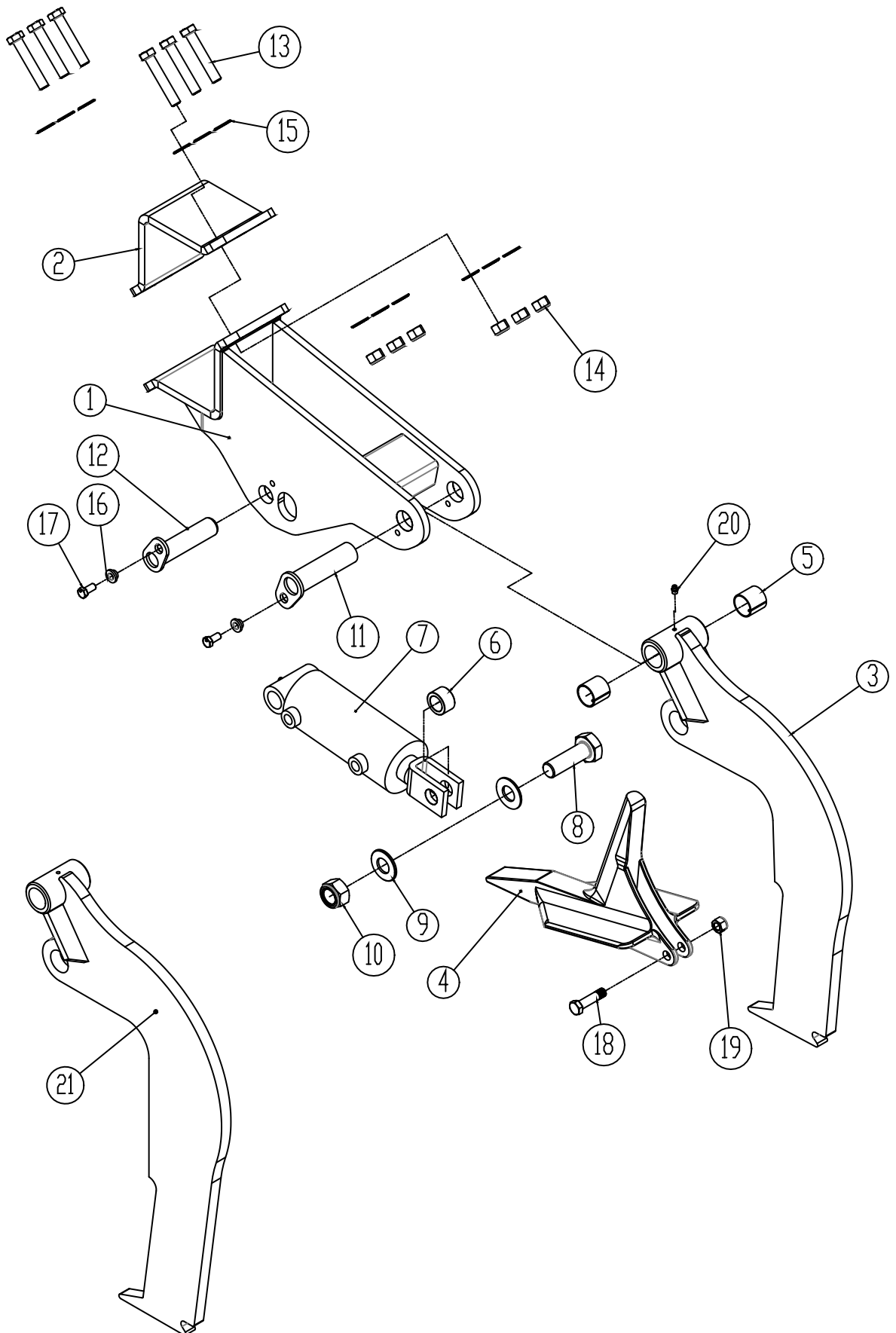
Complete tine with holder, right long  
No. 1237141



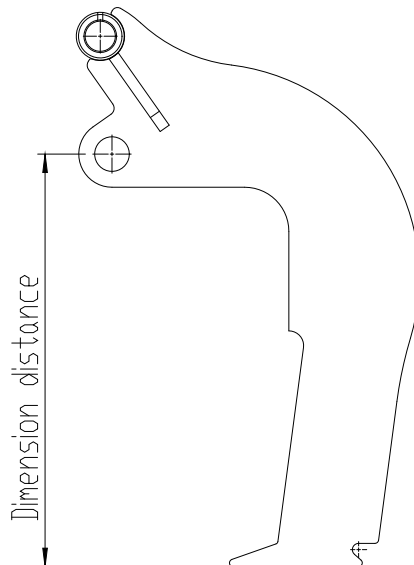
## Notes

|  |  |
|--|--|
|  |  |
|--|--|

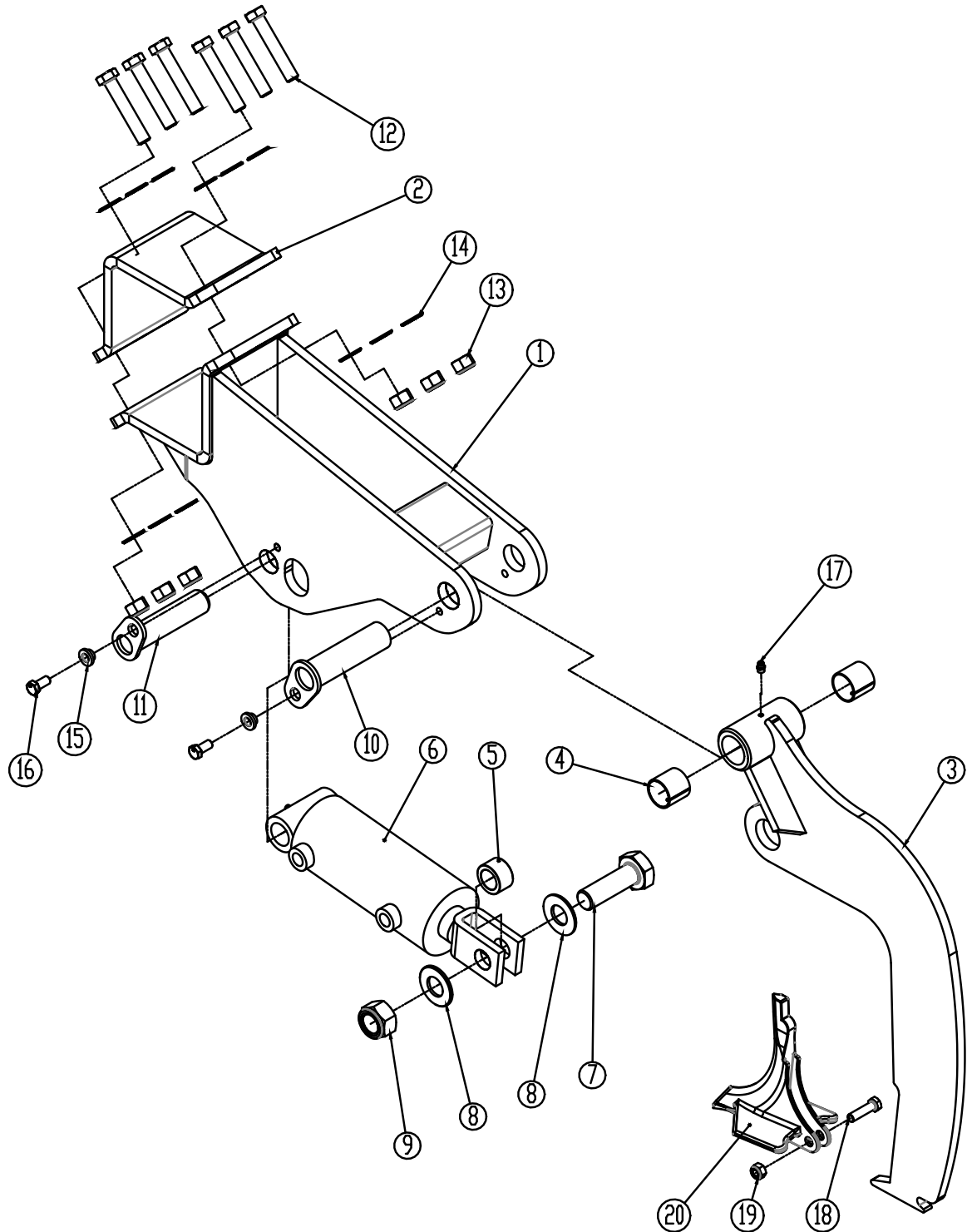


**Tine hydraulic with 200 mm wearing point, long model, (short not shown)**

| Pos. | Item no.  | Designation   | Long model | Short model |
|------|-----------|---|------------|-------------|
|      | 1237151   | Tine complete w/tine holder, Hydraulic long                     |            |             |
|      | 1237152   | Tine complete w/tine holder, Hydraulic short (not shown)        |            |             |
| 1    | 645200080 | Hydraulic tine holder, long model                               | 1          |             |
| 1    | 645200081 | Hydraulic tine holder, short model                              |            | 1           |
| 2    | 645200061 | Mounting bracket 15mm Domex 420 MC                              | 1          | 1           |
| 3    | 1237149   | Tine 25 mm for hydr. push, Dimension distance 560 mm            | 1          | 1           |
| 4    | 645000044 | Wearing point with 200 mm wings                                 | 1          | 1           |
| 5    | 690140715 | Bushing for tine pin Ø40/Ø44 L=40 mm <i>End serialno. 40125</i> | 2          | 2           |
| 5    | 0475309   | I-Bushing EG ø44/40x40mm <b>From serial no. 40126</b>           | 2          | 2           |
| 6    | 645000113 | Bushing for rod end - clevis                                    | 1          | 1           |
| 7    | 690200114 | Cylinder Ø100/50x130 w/rod end - clevis                         | 1          | 1           |
| 7a   | 690200285 | Gasket set 100/50 (Laizhou)                                     |            |             |
| 8    | 690103868 | Bolt M30x95 10.9  | 1          | 1           |
| 9    | 0272350   | Facet washer Ø30 mm, fzb  | 2          | 2           |
| 10   | 0264155   | Self-locking nut M30  | 1          | 1           |
| 11   | 69440148G | Pin Ø40 L=148   | 1          | 1           |
| 12   | 69435148G | Pin Ø35 L=148   | 1          | 1           |
| 13   | 690103324 | Bolt M18x100 10.9   | 6          | 6           |
| 14   | 0264100   | Self-locking nut M18  | 6          | 6           |
| 15   | 0272300   | Facet washer Ø18  | 12         | 12          |
| 16   | 630532600 | Lock bushing for pin head                                       | 2          | 2           |
| 17   | 690101101 | Bolt M12x25 8.8   | 2          | 2           |
| 18   | 0235852   | Bolt M16x65 8.8   | 1          | 1           |
| 19   | 0264090   | Self-locking nut M16  | 1          | 1           |
| 20   | 690136029 | Grease nipple M8  | 1          | 1           |
| 21   | 1237228   | Tine 25 mm for hydr. push, extended 140 mm                      |            |             |



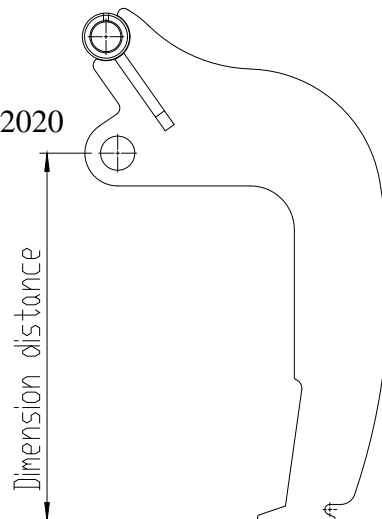
**Tine hydraulic with Easy Draft 120 mm wearing point, long model**





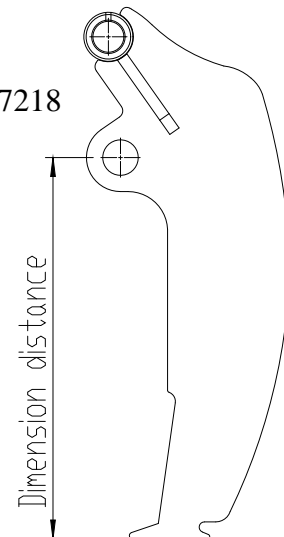
| Pos. | Item no.  | Designation   | Long model | Short model |
|------|-----------|---|------------|-------------|
|      | 1237214   | Tine complete w/tine holder, Hydraulic long                                       |            |             |
|      | 1237208   | Tine complete w/tine holder, Hydraulic short (not shown)                          |            |             |
| 1    | 645200080 | Hydraulic tine holder, long model   | 1          |             |
| 1    | 645200081 | Hydraulic tine holder, short model  |            | 1           |
| 2    | 645200061 | Mounting bracket 15mm Domex 420 MC  | 1          | 1           |
| 3    | 1237209   | Tine f/hydr. Push, Easy draft, Dimension distance 505 mm. Replaced the 04.06.2020 | 1          | 1           |
| 3    | 1237208   | Tine f/hydr. Push, Easy draft, Dimension distance 505 mm                          | 1          | 1           |
| 4    | 690140715 | Bushing for tine pin Ø40/Ø44 L=40 mm <i>End serialno. 40125</i>                   | 2          | 2           |
| 4    | 0475309   | I-Bushing EG ø44/40x40mm <b>From serial no. 40126</b>                             | 2          | 2           |
| 5    | 645000113 | Bushing for rod end - clevis  | 1          | 1           |
| 6    | 690200114 | Cylinder Ø100/50x130 w/rod end - clevis   | 1          | 1           |
| 6a   | 690200285 | Gasket set 100/50 (Laizhou)   |            |             |
| 7    | 690103868 | Bolt M30x95 10.9  | 1          | 1           |
| 8    | 0272350   | Facet washer Ø30 mm, fzb  | 2          | 2           |
| 9    | 0264155   | Self-locking nut M30  | 1          | 1           |
| 10   | 69440148G | Pin Ø40 L=148   | 1          | 1           |
| 11   | 69435148G | Pin Ø35 L=148   | 1          | 1           |
| 12   | 690103324 | Bolt M18x100 10.9   | 6          | 6           |
| 13   | 0264100   | Self-locking nut M18  | 6          | 6           |
| 14   | 0272300   | Facetwasher Ø18   | 12         | 12          |
| 15   | 630532600 | Lock bushing for pin head   | 2          | 2           |
| 16   | 690101101 | Bolt M12x25 8.8   | 2          | 2           |
| 17   | 690136029 | Grease nipple M8  | 1          | 1           |
| 18   | 0235380   | Bolt M12x50   | 1          | 1           |
| 19   | 0264070   | Self-locking nut M12  | 1          | 1           |
| 20   | 645000056 | Low Draft cast wearing point 120 mm w/wolfram plate                               | 1          | 1           |

Tine no. 1237209  
Replaced pr. 04.06.2020



17

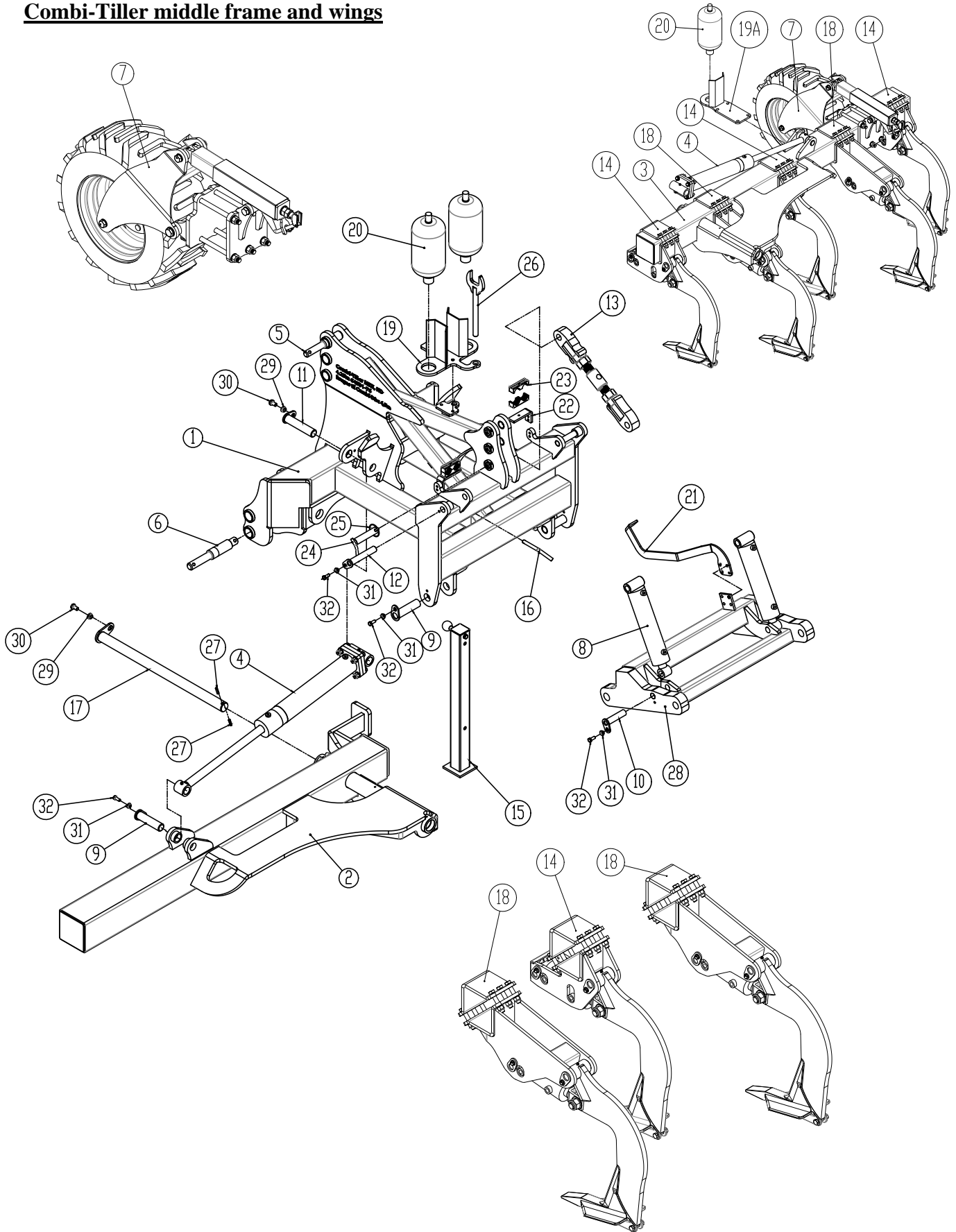
Tine no. 1237218



[Back to the table of contents](#)

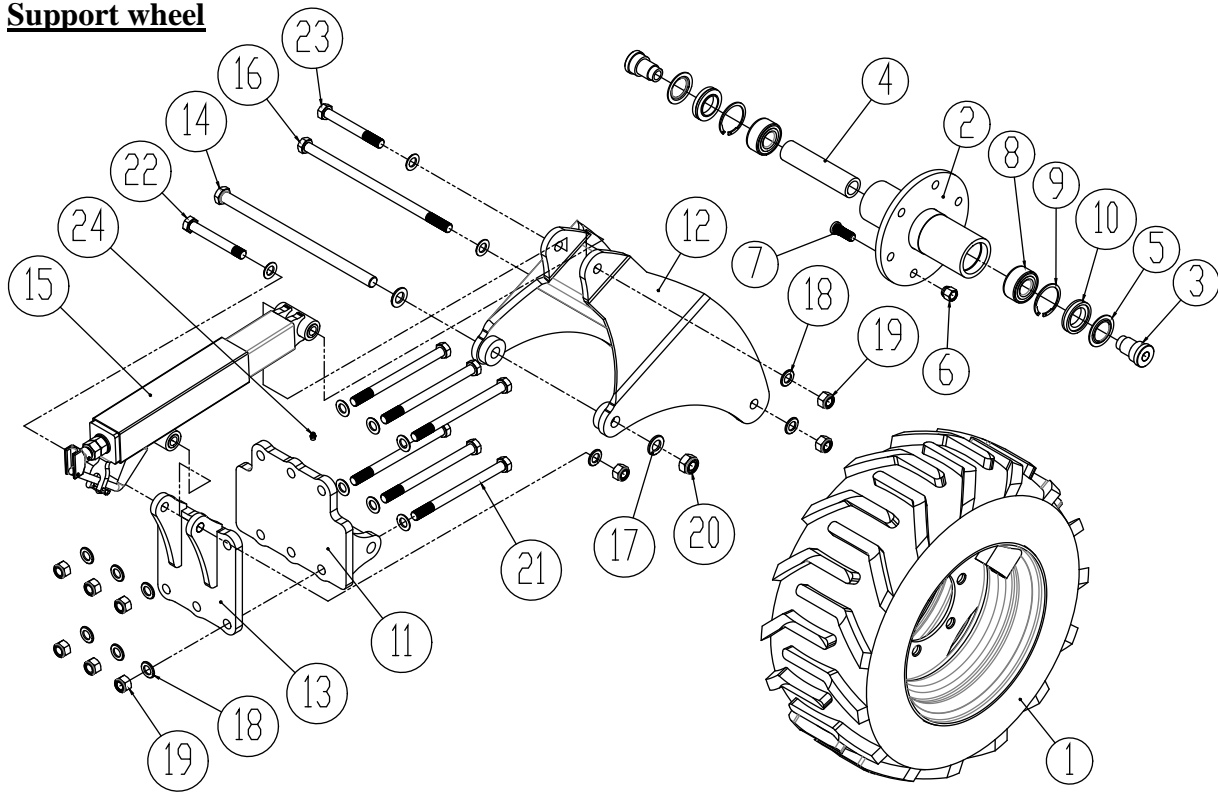


**Combi-Tiller middle frame and wings**



| Pos. | Item no.  | Designation                                    | 4,5m | 5,5m |
|------|-----------|--|------|------|
| 1    | 1237093   | Middle frame, Cat. 3, 4N                       | 1    | 1    |
| 2    | 1237145   | Wing left HD 4,25m                             | 1    |      |
| 2    | 1237109   | Wing left HD 5,25m                             |      | 1    |
| 3    | 1237146   | Wing right HD 4,25m                            | 1    |      |
| 3    | 1237108   | Wing right HD 5,25m                            |      | 1    |
| 4    | 690200255 | Cylinder Ø90/40x500                            | 2    | 2    |
| 4a   | 690200273 | Gasket set 90/40 (Hyraflex)                    |      |      |
| 4b   | 645200176 | Shim for customization of cylinder length 3 mm |      |      |
| 4b   | 645200178 | Shim for customization of cylinder length 4 mm |      |      |
| 4b   | 645200174 | Shim for customization of cylinder length 5 mm |      |      |
| 4b   | 645000396 | Shim for customization of cylinder length 1 mm |      |      |
| 5    | 69532105C | Ø45 round steel – SB27M12CB                    | 1    | 1    |
| 6    | 69537125C | Round steel E 360 (St. 70-2)                   | 2    | 2    |
| 7    | 1237007   | Support wheel complete                         | 2    | 2    |
| 8    | 690200200 | Cylinder Ø80/40x280                            | 2    | 2    |
| 8a   | 690200143 | Gasket set 80/40 (Laizhou)                     |      |      |
| 9    | 69440155G | Pin Ø40 L=155                                  | 4    | 4    |
| 10   | 69430125G | Pin Ø30 L=125                                  | 2    | 2    |
| 11   | 69440187G | Pin Ø40 L=187                                  | 2    | 2    |
| 12   | 69530175G | Compressed steel                               | 2    | 2    |
| 13   | 1237155   | Toplink, complete                              | 1    | 1    |
| 14   | 1237152   | Tine complete, hydr. auto, short model         | 3    | 4    |
| 15   | 1237125   | Support wheel, complete                        | 1    | 1    |
| 16   | 69516094A | Compressed steel Ø16                           | 1    | 1    |
| 17   | 69450865G | Pin Ø50 L=865                                  | 2    | 2    |
| 18   | 1237151   | Tine complete, hydr. auto, long model          | 4    | 5    |
| 19   | 645200076 | Holder for accumulator                         | 1    | 1    |
| 19A  | 1237054   | Holder for accumulator                         |      | 2    |
| 20   | 690206513 | Accumulator 4,5 L 90 bar                       | 2    | 4    |
| 21   | 1237204   | Indicator scale for lift                       | 1    | 1    |
| 22   | 1237231   | Bracket for hose holder                        | 2    | 2    |
| 23   | 0449750   | Hose holder                                    | 4    | 4    |
| 24   | 69532129B | Pin Ø32 L=129 w/handle                         | 1    | 1    |
| 25   | 690134008 | Ring clip Ø11,5 Ø60 ring                       | 4    | 4    |
| 26   | 1285081   | Topstangsværktøj                               | 1    | 1    |
| 27   | 0371702   | Roll pin Ø10x40 mm                             | 4    | 4    |
| 28   | 645200171 | Lift console, Combi-Tiller MKII                | 1    | 1    |
| 29   | 630532700 | Lock bushing for pin head                      | 4    | 4    |
| 30   | 0235770   | Bolt M16x30                                    | 4    | 4    |
| 31   | 630532600 | Lock bushing for pin head                      | 4    | 4    |
| 32   | 0235340   | Bolt M12x30 8.8 fzb                            | 4    | 4    |



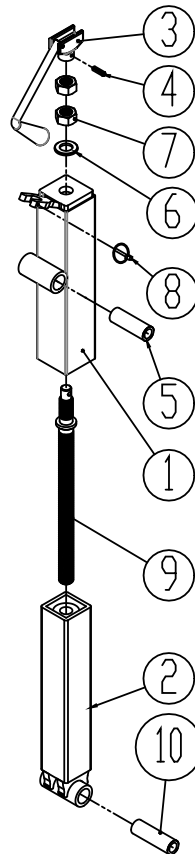
**Support wheel**


| Pos. | Item no.  | Designation   | Pcs. |
|------|-----------|---|------|
| 1    | 0395654   | Wheel 300/55x14,5 SG Flotation, Left                        | 1    |
| 1    | 0395653   | Wheel 300/55x14,5 SG Flotation, Right                       | 1    |
|      | 7365005   | Hub for fork mounting 6-M18x1.5/205<br>(Pos. number 2 - 10) |      |
| 2    | 7365004   | Bushing welded on hub plate t/6 hub bolts                   | 1    |
| 3    | 7365001   | End bushing for hub assembly                                | 2    |
| 4    | 7365002   | Bushing Steel pipe Ø45x7                                    | 1    |
| 5    | 630949019 | Disc Ø45/71,7   | 2    |
| 6    | 0396470   | Hub nut M18x1,5 R19   | 6    |
| 7    | 0396460   | Hub bolt M18x1,5 L=49                                       | 6    |
| 8    | 690140201 | Bearing (conical double roller bearing)                     | 2    |
| 9    | 0379250   | Seeger circlip ring   | 2    |
| 10   | 690140651 | Seeling kit 72-45-14/17                                     | 2    |
| 11   | 1237008   | Mounting bracket part 1 of 2                                | 1    |
| 12   | 1237009   | Wheel frame   | 1    |
| 13   | 1237010   | Mounting bracket part 2 of 2                                | 1    |
| 14   | 0236570   | Bolt M24x440 8.8.   | 1    |
| 15   | 1237011   | Samlet spindel (se næste side)                              | 1    |
| 16   | 690103286 | Bolt M20x420 8.8  | 1    |
| 17   | 0272330   | Facet washer Ø24 fzb  | 2    |
| 18   | 0272310   | Facet washer Ø20 DIN125B                                    | 18   |
| 19   | 0264110   | Self-locking nut M20  | 9    |



|    |           |                                     |   |
|----|-----------|-------------------------------------|---|
| 20 | 0264130   | Self-locking nut M24 8.8 fzb DIN985 | 1 |
| 21 | 690103297 | Bolt M20x260 10.9                   | 6 |
| 22 | 0236240   | Bolt M20x150 8.8                    | 1 |
| 23 | 0236250   | Bolt M20x160 8.8                    | 1 |
| 24 | 690136029 | Grease nipple M8 straight           | 1 |

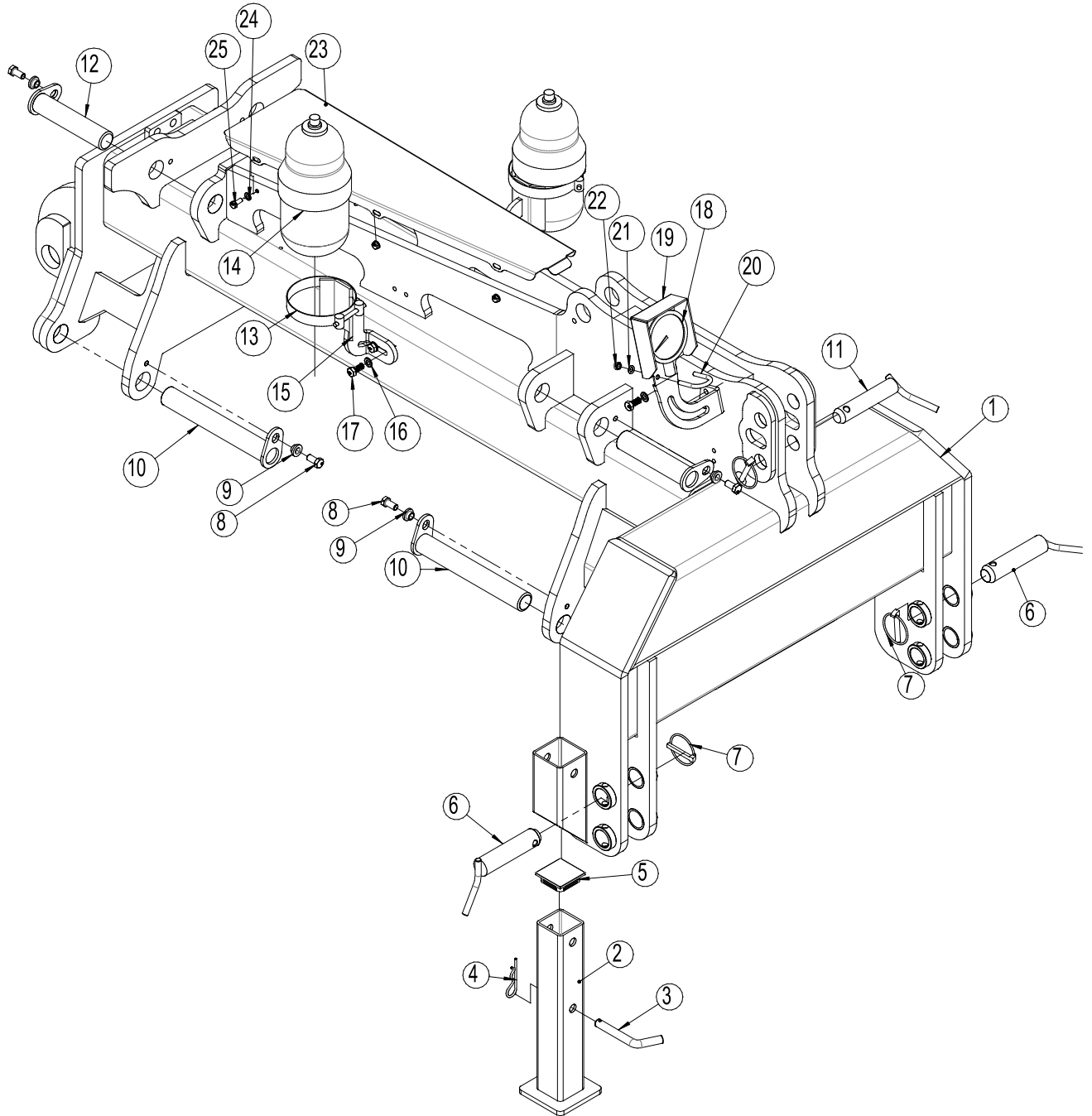
### Spindle for support wheel



| Pos. | Item no.  | Designation                 | Pcs. |
|------|-----------|-----------------------------|------|
| 1    | 675101007 | Outer part, complete        | 1    |
| 2    | 1237023   | Inder part, complete        | 1    |
| 3    | 903041102 | Handle                      | 1    |
| 4    | 0371660   | Roll pin Ø8x30 mm           | 1    |
| 5    | 675101006 | BK-pipe 30x5 L=89 S235JR    | 1    |
| 6    | 690117011 | Facet washer Ø24            | 1    |
| 7    | 0261425   | Nut M24, galvanized         | 2    |
| 8    | 690134001 | Ring clip Ø4,5 mm           | 1    |
| 9    | 690304122 | Rod with threads 28TR L=455 | 1    |
| 10   | 1237022   | BK-pipe 30x5 L=98 S235JR    | 1    |



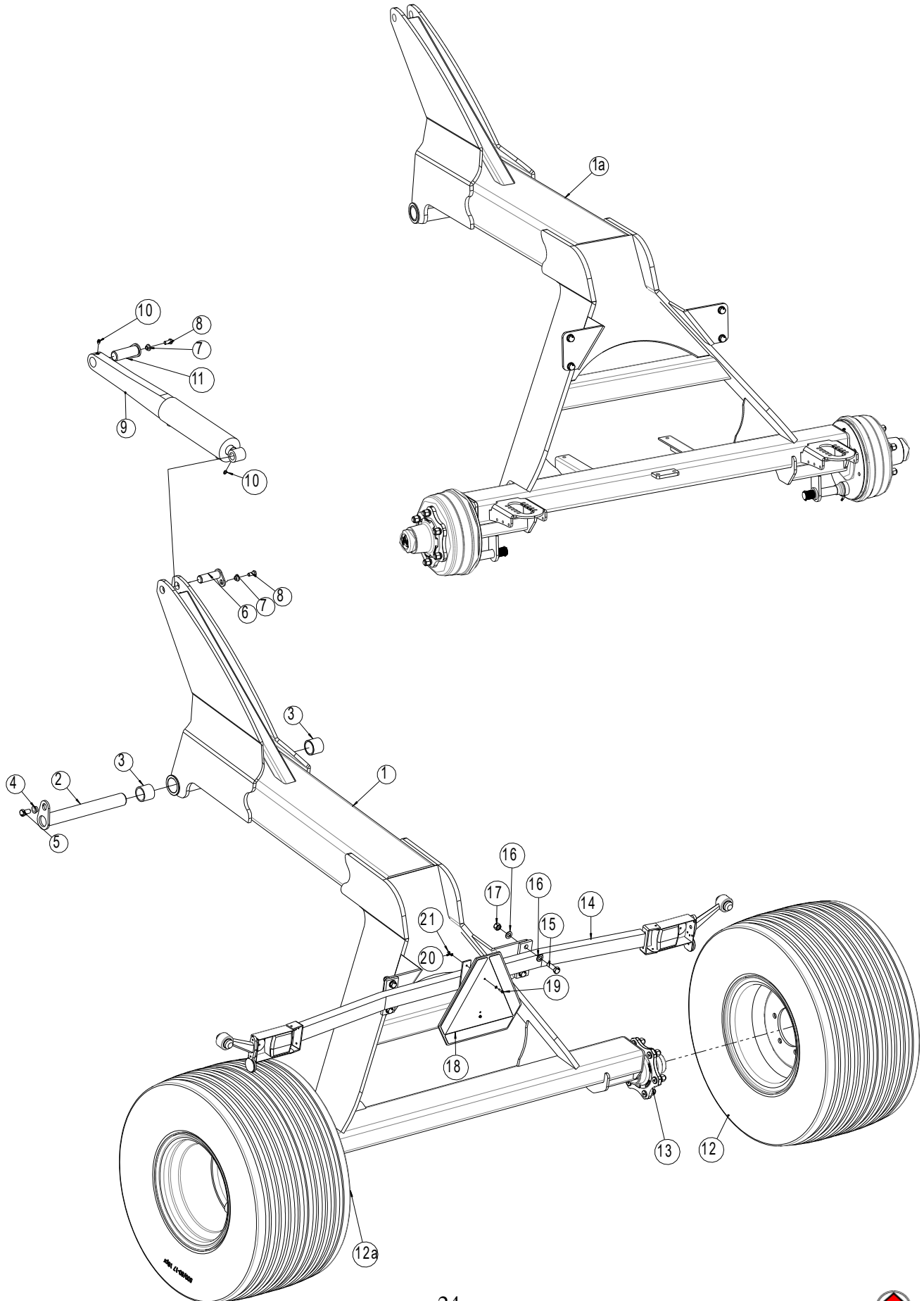
**Middle frame for Disc-Roller**



| Pos. | Item no.  | Designation  | 4,5m | 5,5m |
|------|-----------|--|------|------|
| 1    | 1300114   | Centre frame w/protection  | 1    | 1    |
| 2    | 630916554 | Supporting leg   | 1    | 1    |
| 3    | 1030280   | Pin Ø16 L=80,5mm / 45°   | 1    | 1    |
| 4    | 0377400   | R-clip Ø4  | 1    | 1    |
| 5    | 0489610   | Plastic plug RHS 70x70x5   | 1    | 1    |
| 6    | 69537129B | Pin Ø37 =129 (Pin for lift arm CAT III )<br>w/handle and cotter slot | 2    | 2    |
| 7    | 690134008 | Ring pin Ø11,5 – ring Ø60  | 3    | 3    |
| 8    | 690101101 | Bolt M12x25 8.8 m/lim  | 4    | 4    |
| 9    | 630532600 | Lock bush for pin head   | 4    | 4    |
| 10   | 69440287G | Pin Ø40 L=287  | 2    | 2    |
| 11   | 69532129B | Pin Ø32 L=129 (Pin for top link CAT III) w/handle and<br>cotter slot | 1    | 1    |
| 12   | 69440187G | Pin Ø40 L=187  | 2    | 2    |
| 13   | 690206511 | Clamp for accumulator HST 2,3 ltr                                    | 2    | 2    |
| 14   | 690206510 | Accumulator HST 2,3 ltr. 40 Bar                                      | 2    | 2    |
| 15   | 1300065   | Holder for accumulator, right  | 1    | 1    |
| 15a  | 1300062   | Holder for accumulator, left   | 1    | 1    |
| 16   | 0272260   | Facet washer Ø10   | 6    | 6    |
| 17   | 0235040   | Bolt M10x25 8.8  | 6    | 6    |
| 18   | 0442052   | Manometer 250 Bar Ø100   | 1    | 1    |
| 19   | 1300067   | Holder for Manometer   | 1    | 1    |
| 20   | 690110003 | O-ring M8x60x Ø35  | 1    | 1    |
| 21   | 0272250   | Facet washer Ø8  | 2    | 2    |
| 22   | 0264050   | Self-locking bush M8   | 2    | 2    |
| 23   | 1300120   | Protection for center frame  | 1    | 1    |
| 24   | 0234750   | Steel set screw M8x20 fzb 8.8  | 6    | 6    |
| 25   | 0272250   | Facet washer Ø8  | 6    | 6    |



Wheel frame

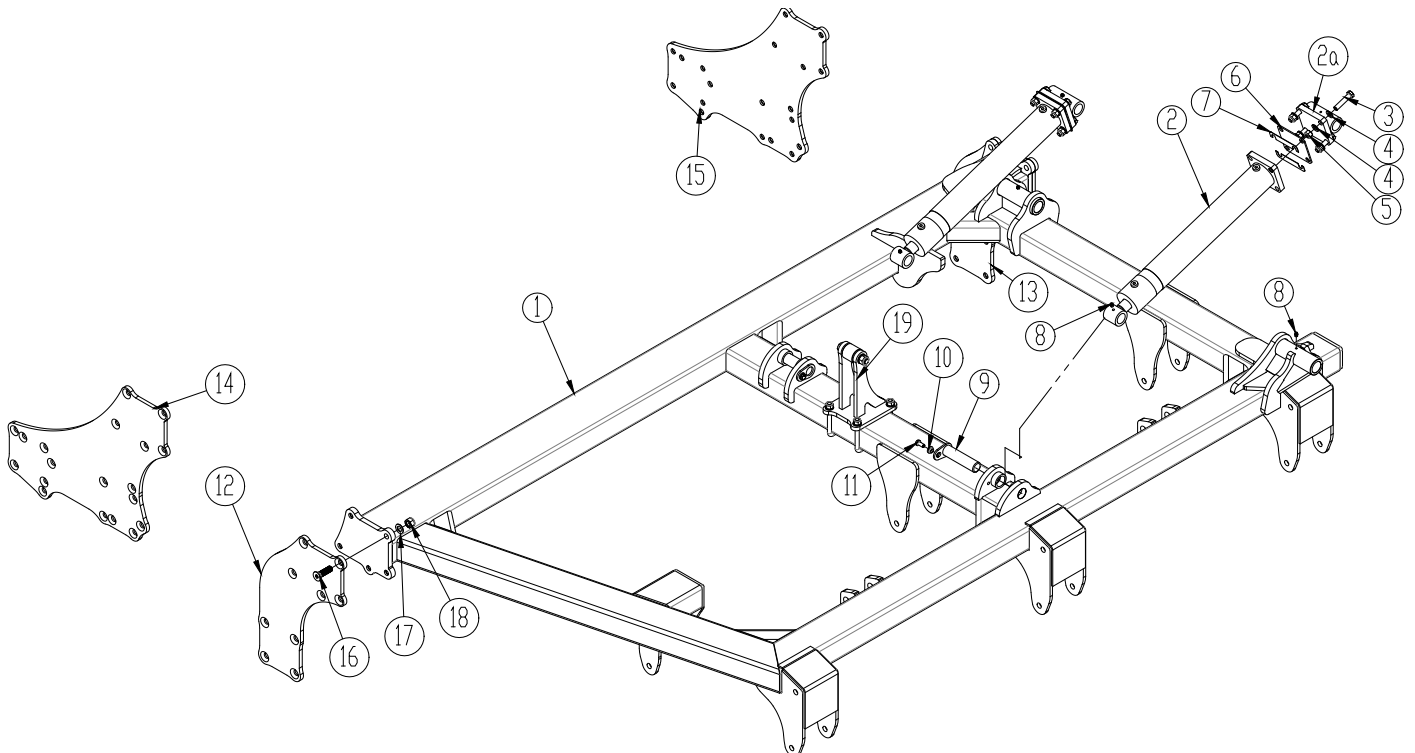
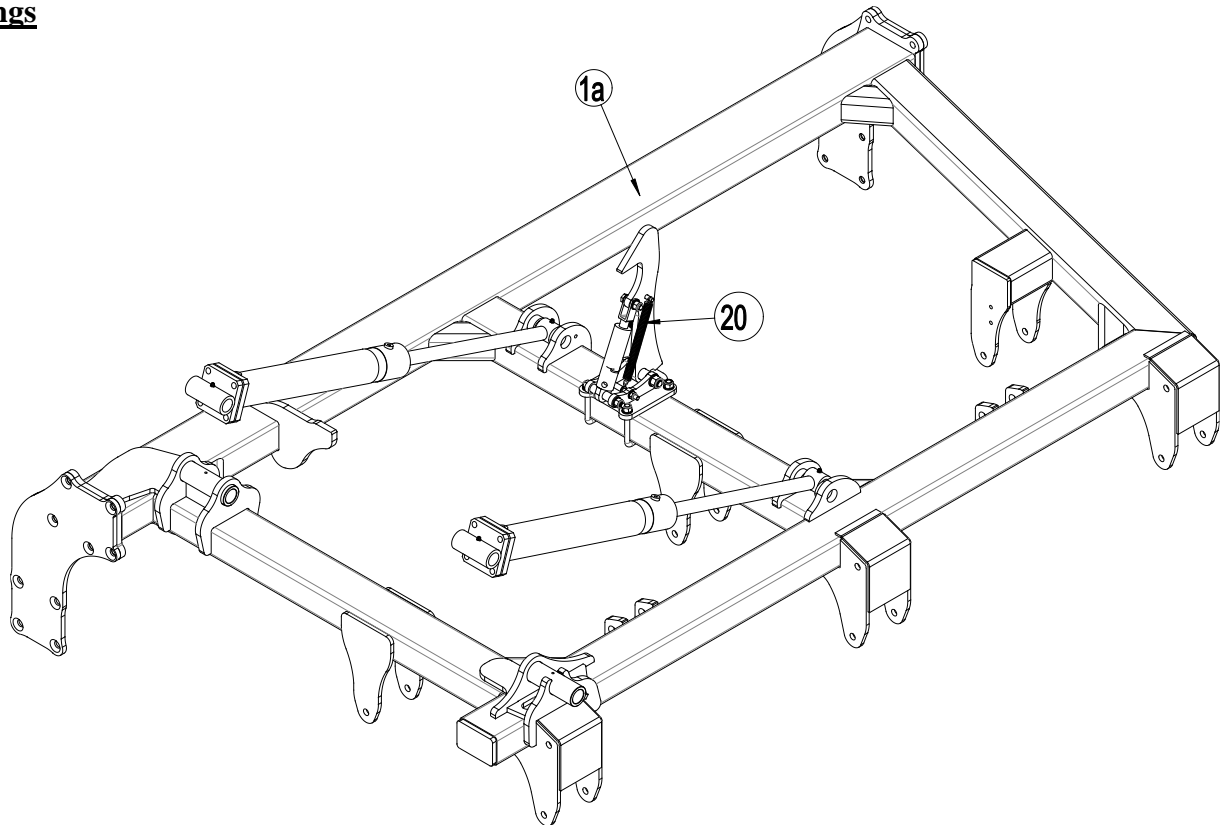




| Pos. | Item no.  | Designation   | 4,5m | 5,5m |
|------|-----------|---|------|------|
| 1    | 1141258   | Wheel frame 2500 kg hub   | 1    | 1    |
| 1a   | 1141262   | Hjulstel med bremsenav  | 1    | 1    |
| 2    | 69450400G | Pin Ø50 L=400 welded head   | 1    | 1    |
| 3    | 0475400   | Bush EG Ø60/50 x 50 mm  | 2    | 2    |
| 4    | 630532700 | Lock bush for pin head  | 1    | 1    |
| 5    | 690103198 | Bolt M16x30 8.8   | 1    | 1    |
| 6    | 69440090G | Pin Ø40 L=90  | 1    | 1    |
| 7    | 630532600 | Lock bush for pin head  | 2    | 2    |
| 8    | 690101101 | Bolt M12x25 w/glue  | 2    | 2    |
| 9    | 7345049   | Cylinder for transport wheels 90/40x285 Ø30,25/Ø40,5<br><b>before serial no. 350873</b> | 1    | 1    |
| 9a   | 690200274 | Gasket set 90/40 (Laizhou)  |      |      |
| 9    | 7345095   | Cylinder100/40x285 Ø40,5/Ø40,25 <b>after serial no. 350873</b>                          | 1    | 1    |
| 9a   | 690200296 | Gasket set 100/40 (Laizhou)   |      |      |
| 10   | 690136029 | Lubricating nipple M8   | 2    | 2    |
| 11   | 69440110G | Pin Ø40 L=110   | 1    | 1    |
| 12   | 690141360 | Wheel 500/50x17,0 – 18 ply Right Complete   | 1    | 1    |
| 12a  | 690141362 | Wheel 500/50x17,0 – 18 ply Left Complete  | 1    | 1    |
| 12b  | 690141361 | Rim 500/50-17   | 2    | 2    |
| 12c  | 690141352 | Tire 500/50-17 – 18 ply   | 2    | 2    |
| 13   | 690141030 | Hub 2500 kg - TVZ (see the hubcab)  | 2    | 2    |
| 13   | 0395442   | Hub 2500 kg - He-va (see the hubcab)  | 2    | 2    |
| 13a  | 690141033 | Hub cab ø80 2500 kg hub - (TVZ (see the hubcab)   | 2    | 2    |
| 13a  | 0395437   | Hub cab ø88 2500 kg hub - (He-va (see the hubcab)                                       | 2    | 2    |
| 13b  | 0396470   | Hub nut M18 x 1,5   | 12   | 12   |
| 13c  | 0396460   | Hub bolt M18 x 1,5 L=54   | 12   | 12   |
| 13   | 690141032 | Hub w/brakes 3750 kg TVZ  | 2    | 2    |
| 13a  | 690141034 | Hub cap Ø90   | 2    | 2    |
| 13b  | 690141055 | Hub nut M18 x 1,5   | 12   | 12   |
| 13c  | 690141042 | Hub bolt M18 x 1,5 x 60   | 12   | 12   |
| 14   | 630835015 | Bar for light   | 1    | 1    |
| 15   | 690103197 | Bolt M16x50   | 4    | 4    |
| 16   | 0272290   | Facet washer Ø16  | 8    | 8    |
| 17   | 0264090   | Self-locking nut M16  | 4    | 4    |
| 18   | 0521010   | Warning triangle  | 1    | 1    |
| 19   | 0233860   | Bolt M5x20  | 2    | 2    |
| 20   | 0272230   | Facet washer Ø5   | 4    | 4    |
| 21   | 0264030   | Self-locking nut M5   | 2    | 2    |



Wings

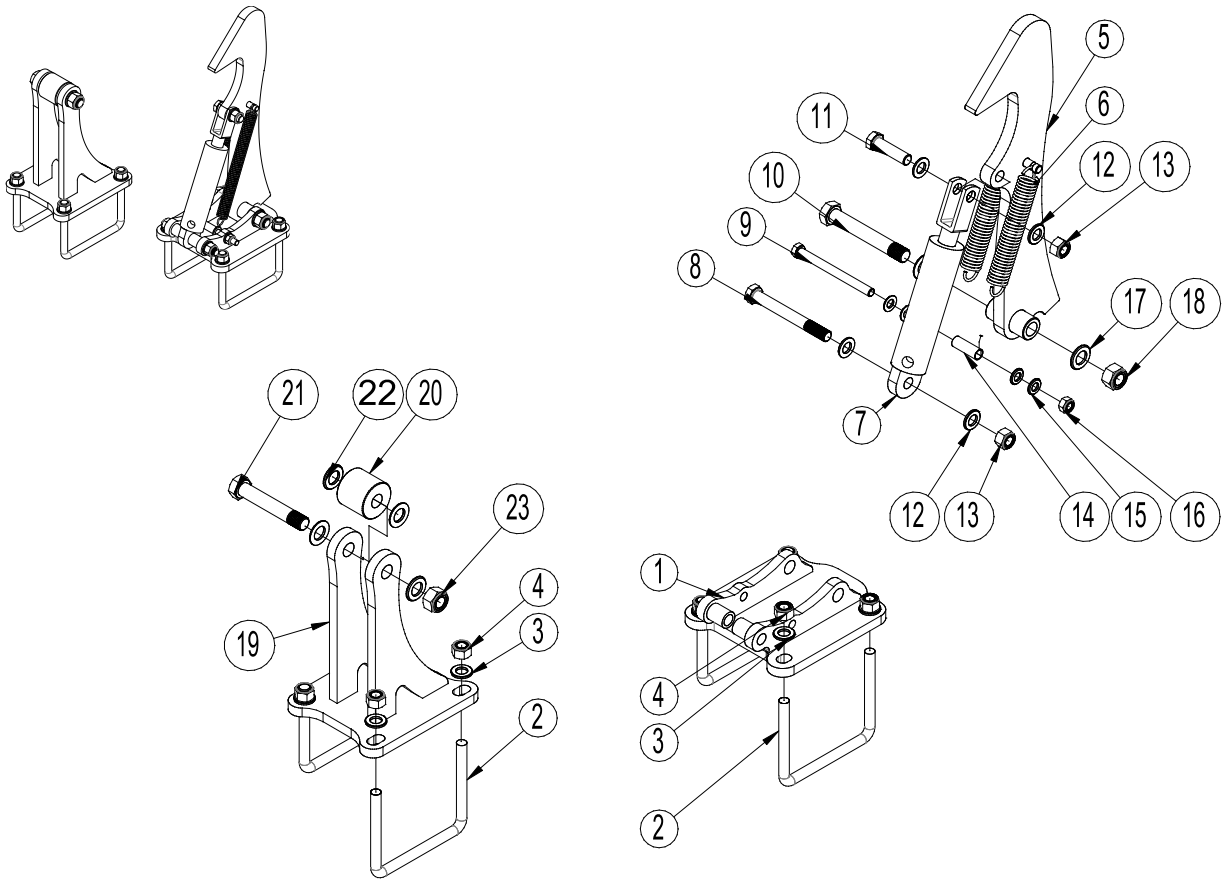


| Pos. | Item no.  | Designation  | 4,5 | 5,5 |
|------|-----------|--|-----|-----|
| 1    | 1300216   | Wing, right from serial no. 349524                               | 1   |     |
| 1    | 1300218   | Wing, right from serial no. 349524                               |     | 1   |
| 1a   | 1300217   | Wing, left from serial no. 349524                                | 1   |     |
| 1a   | 1300219   | Wing, left from serial no. 349524                                |     | 1   |
| 2    | 690200252 | Cylinder 90/40x600 Ø40,25  | 2   | 4   |
| 2a   | 690200253 | Square flange w/bushing Ø40,25                                   | 2   | 4   |
|      | 690200273 | Gasket set 90/40 (Hydraflex)                                     |     |     |
| 3    | 0235870   | Bolt M16x75mm, 8.8 fzb   | 8   | 16  |
| 4    | 0272290   | Facet washer 16mm, fzb   | 16  | 32  |
| 5    | 0264090   | Self-locking nut M16   | 8   | 16  |
| 6    | 645200176 | Shim for customization of cylinder length 3 mm                   |     |     |
|      | 645200178 | Shim for customization of cylinder length 4 mm                   |     |     |
|      | 645200174 | Shim for customization of cylinder length 5 mm                   |     |     |
| 7    | 645000396 | Shim for customization of cylinder length 1 mm                   |     |     |
| 8    | 690136029 | Grease nipple M8   | 8   | 12  |
| 9    | 69440153G | Pin Ø40 L=153  | 2   | 4   |
| 10   | 630532600 | Lock bushing for pin head  | 2   | 4   |
| 11   | 690101101 | Bolt M12x25 w/glue   | 2   | 4   |
| 12   | 1300245   | Endplate for single roller, Ø600 H (20mm) from serial no. 349524 | 2   | 2   |
| 12   | 1300211   | Endplate for single roller, Ø700 H (20mm)                        | 2   | 2   |
| 13   | 1300246   | Endplate for single roller, Ø600 V (20mm) from serial no. 349524 | 2   | 2   |
| 13   | 1300212   | Endplate for single roller, Ø700 V (20mm)                        | 2   | 2   |
| 14   | 1300208   | Endplate for double roller, H (20 mm) from serial no. 349524     | 2   | 2   |
| 15   | 1300210   | Endplate for double roller, V (20mm) from serial no. 349524      | 2   | 2   |
| 16   | 690103215 | Hexagon countersunk schrew M20x70 8.8 UH fzb DIN7991             | 20  | 20  |
| 17   | 0272310   | Facet washer Ø20   | 20  | 20  |
| 18   | 0264110   | Self-locking nut M20   | 20  | 20  |
| 19   | 630916604 | Console for locking claw system with roller (see next page)      | 1   | 1   |
| 20   | 630916593 | Console for locking claw system with hook (see next page)        | 1   | 1   |

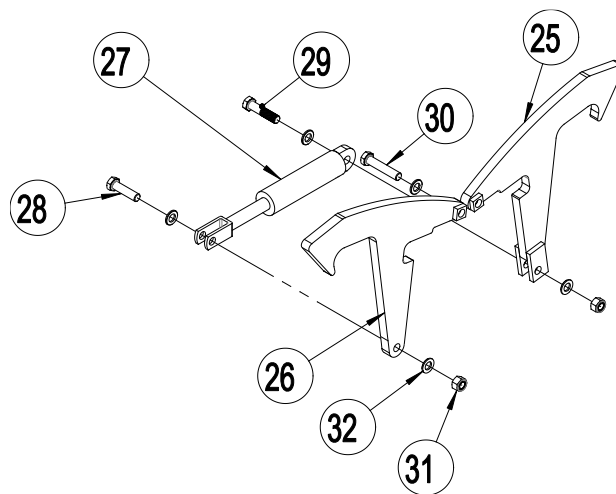


**Lock claw system**

**Version 2**



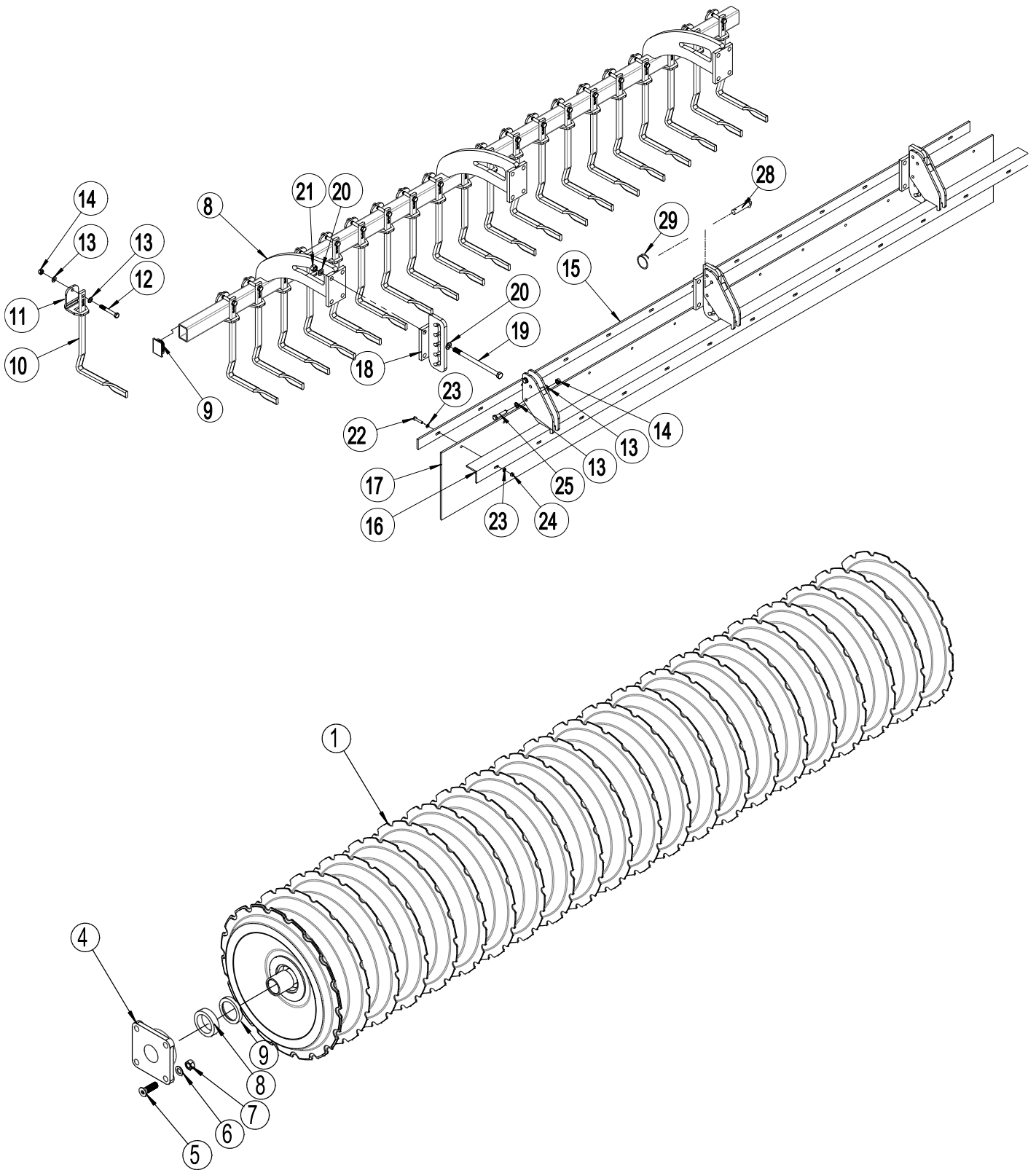
**Version 1**



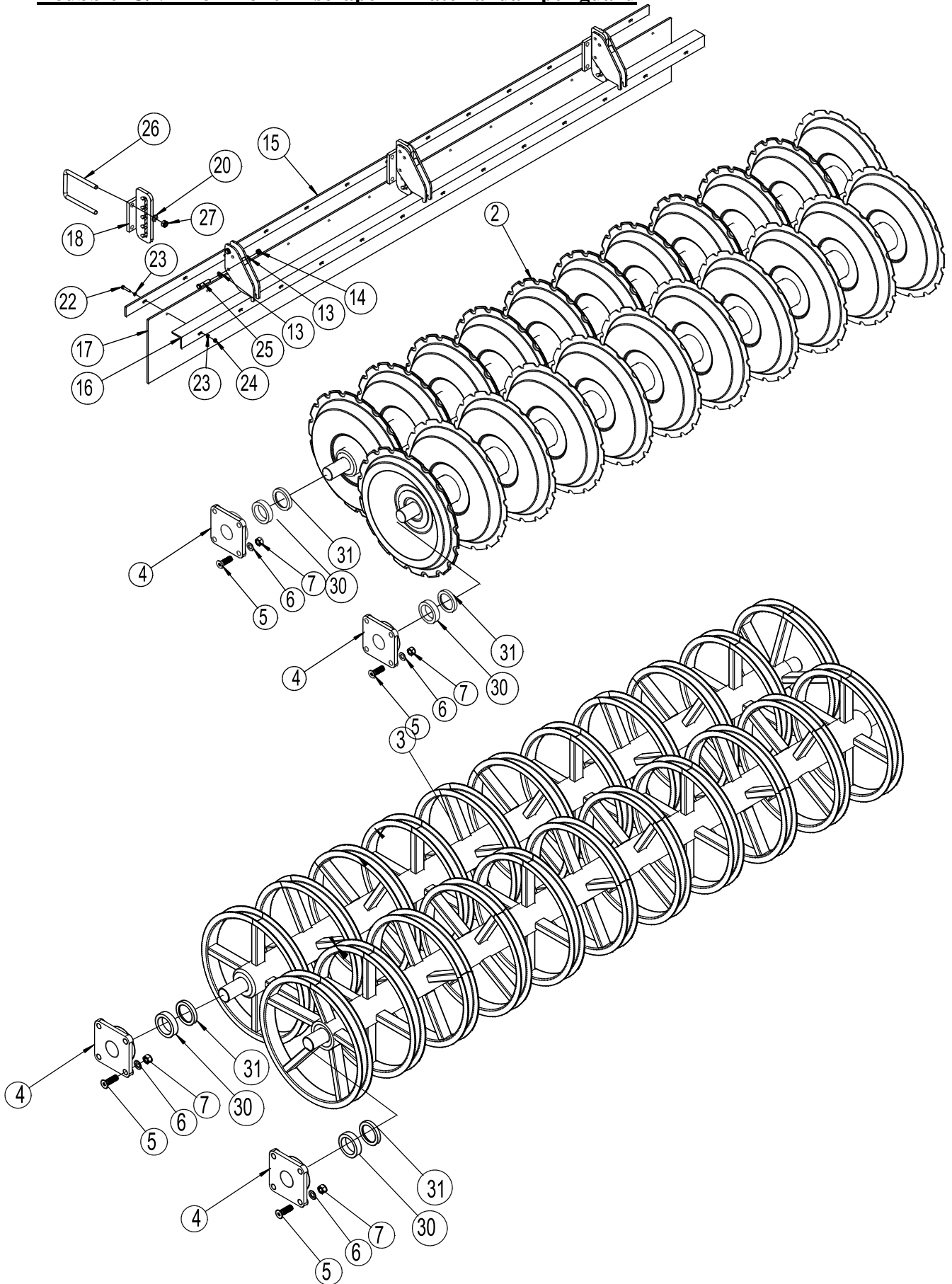
| Pos. | Item no.  | Designation                                    | Pc. |
|------|-----------|--|-----|
| 1    | 630916606 | Console for hook                               | 1   |
| 2    | 690110103 | U-bolt M16x100x150x100                         | 4   |
| 3    | 0272290   | Facet washer Ø16 DIN125B                       | 8   |
| 4    | 0264090   | Self-locking nut M16                           | 8   |
| 5    | 630916605 | Claw   | 1   |
| 6    | 0431650   | Extension spring ø4.0mm x 32mm x 160mm x 30.5v | 2   |
| 7    | 690200170 | Cylinder 40/25x80                              | 1   |
| 7a   | 690200175 | Gasket set 40/25                               |     |
| 8    | 0235940   | Bolt M16x140mm, 8.8 fzb                        | 1   |
| 9    | 0235500   | Bolt M12x140mm, 8.8 fzb                        | 1   |
| 10   | 0236230   | Bolt M20x140mm, 8.8 fzb                        | 1   |
| 11   | 0235840   | Bolt M16x60mm 8.8                              | 1   |
| 12   | 0272290   | Facet washer 16mm, fzb                         | 4   |
| 13   | 0264090   | Self-locking nut M16                           | 2   |
| 14   | 630916607 | Hydr. tube Ø16 L=45                            | 1   |
| 15   | 0272270   | Facet washer Ø12                               | 4   |
| 16   | 0264070   | Self-locking nut M12                           | 1   |
| 17   | 0272310   | Facet washer Ø20                               | 2   |
| 18   | 0264110   | Self-locking nut M20                           | 1   |
| 19   | 630916599 | Console for roller                             | 1   |
| 20   | 630670593 | Roller Ø20,5x56 L=51 POM black                 | 1   |
| 21   | 0236210   | Bolt M20x120mm, 8.8 fzb                        | 1   |
| 22   | 0272310   | Facet washer Ø20                               | 4   |
| 23   | 0264110   | Self-locking nut M20                           | 1   |
|      | 1300137   | Mounted console set (pos 1 – 23)               |     |
|      |           | <b>Previous model below here</b>               |     |
| 25   | 1160193   | Claw (V)                                       | 1   |
| 26   | 1160276   | Claw (H)                                       | 1   |
| 27   | 690200170 | Cylinder 40/25x80                              | 1   |
| 27a  | 690200175 | Gasket set 40/25                               |     |
| 28   | 690103130 | Bolt M16x70 10.9                               | 1   |
| 29   | 690103133 | Bolt M16x60 10.9                               | 1   |
| 30   | 690103135 | Bolt M16x80 10.9                               | 1   |
| 31   | 0264090   | Self-locking nut M16                           | 3   |
| 32   | 0272290   | Facet washer Ø16                               | 5   |



**Single V-Profile roller – scraper – material damper guard**



**Double U/V-Profil roller – scraper – material damper guard**



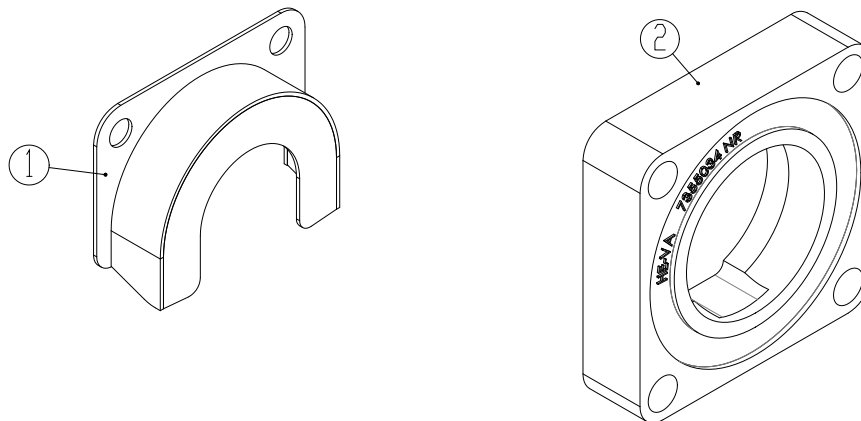
| Pos. | Item no.  | Designation   | 4,5m    | 5,5m    |
|------|-----------|---|---------|---------|
| 1    | 1160626   | Single V-profile roller, Ø600 L=2210  | 2       |         |
| 1    | 7451042   | Single V-profile roller, Ø600 L=2740  |         | 2       |
| 1    | 7451072   | Single V-profile roller, Ø700 L=2242  | 2       |         |
| 1    | 7451076   | Single V-profile roller, Ø700 L=2710  |         | 2       |
| 2    | 7451025   | Twin V-Profile roller, L=2240   | 4       |         |
| 2    | 7451022   | Twin V-Profile roller, L=2740   |         | 4       |
| 3    | 7450027   | Twin U-Profile roller L=2240  | 4       |         |
| 3    | 7450007   | Twin U-Profile roller L=2740  |         | 4       |
| 4    | 0478972   | Bearing HCF 312, 4 holes flange bearing w/eccentric lock washer, cast steel housing | 4 (8)   | 4 (8)   |
| 5    | 690103215 | Hexagon screw M20x70 8.8 UH DIN7991   | 16 (32) | 16 (32) |
| 6    | 0272310   | Facet washer Ø20  | 16 (32) | 16 (32) |
| 7    | 0264110   | Self-locking nut M20  | 16 (32) | 16 (32) |
| 8    | 1300096   | Scraper bar R/L for Ø600 roller   | 2       |         |
| 8    | 1300079   | Scraper bar R/L for Ø600 roller   |         | 2       |
| 8    | 1300214   | Scraper bar R/L for Ø700 roller   | 2       |         |
| 8    | 1300238   | Scraper bar R/L for Ø700 roller   |         | 2       |
| 9    | 690109203 | Plastic plug f/profile tube 70x50x2, black  | 4       | 4       |
| 10   | 630938520 | Scraper short – twisted 255 mm Ø600 roller  | 28      | 36      |
| 10   | 630938521 | Scraper long – twisted 320 mm Ø700 roller   | 28      | 36      |
| 11   | 630938522 | Clamp 50x70 f/scraper   | 28      | 36      |
| 12   | 0235450   | Steel bolt M12x90mm 8.8   | 28      | 36      |
| 13   | 0272270   | Facet washer Ø12  | 72      | 88      |
| 14   | 0264070   | Self-locking nut M12  | 28      | 36      |
| 15   | 1300132   | Clamping plate 2230   | 2       |         |
| 15   | 1300136   | Clamping plate 2730   |         | 2       |
| 16   | 630928714 | Mounting bar f/material damper guard, L   | 1       |         |
| 16   | 630928712 | Mounting bar f/material damper guard, R   | 1       |         |
| 16   | 630938638 | Mounting bar f/material-damper guard, L   |         | 1       |
| 16   | 630938633 | Mounting bar f/material-damper guard, R   |         | 1       |
| 17   | 1300131   | Rubber mat 2230   | 2       |         |
| 17   | 1300135   | Rubber mat 2730   |         | 2       |
| 18   | 630938545 | Suspension f/material-damper guard  | 4       | 4       |





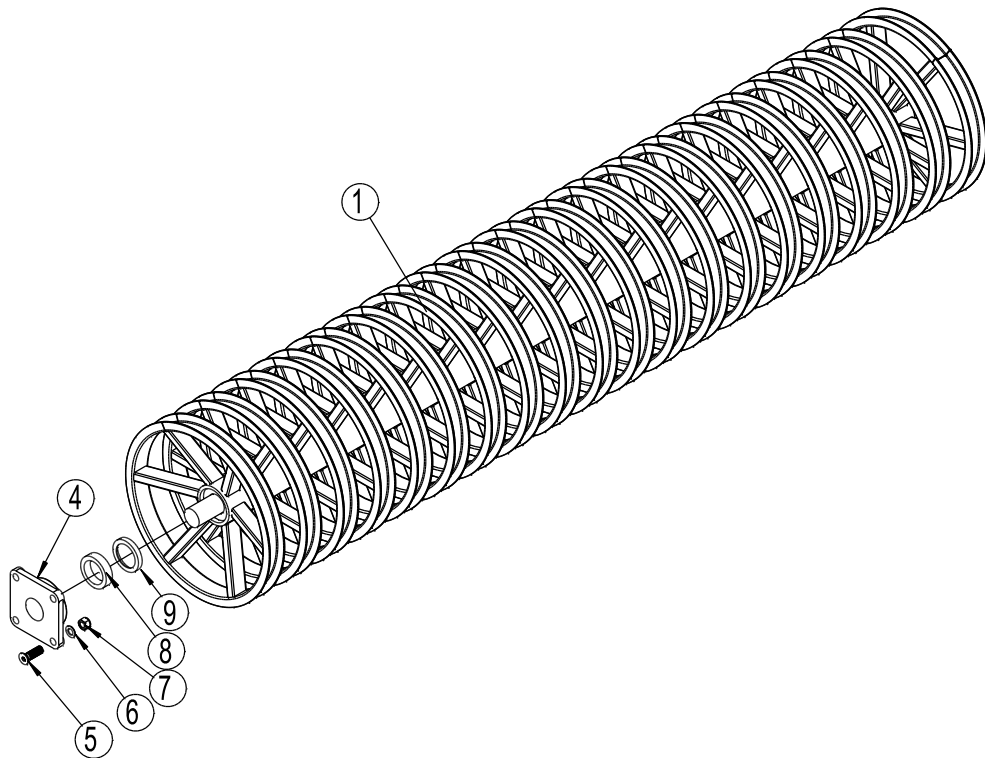
|    |           |  |       |       |
|----|-----------|--|-------|-------|
| 19 | 690103295 | Bolt M16x260 8.8   | 16    | 16    |
| 20 | 0272290   | Facet washer Ø16   | 32    | 32    |
| 21 | 0264090   | Self-locking nut M16                                       | 16    | 16    |
| 22 | 0234790   | Bolt M8x40 8.8   | 18    | 22    |
| 23 | 0272250   | Facet washer Ø8  | 36    | 44    |
| 24 | 0264050   | Self-locking nut M8  | 18    | 22    |
| 25 | 0235400   | Bolt M12x60 8,8  | 8     | 8     |
| 26 | 0382800   | U-bolt M16x100x150x100                                     | 8     | 8     |
| 27 | 0264090   | Self-locking nut M16                                       | 16    | 16    |
| 28 | 69512040K | Pin Ø12,5 L=40   | 4     | 4     |
| 29 | 0431975   | Sikringsring 30 x Ø3                                       | 4     | 4     |
| 30 | 690600020 | Bushing Ø60 L=20   | 4 (8) | 4 (8) |
| 31 | 7330021   | Thrust washer, adapted for the welding,<br>Ø82,5xø61 L= 12 | 4 (8) | 4 (8) |

### **Rubber damped bearings and protection shield for ordinary bearings**



| Pos. | Item no.  | Designation   | Pc. Each roller |
|------|-----------|---|-----------------|
| 1    | 7355054   | Protection guard for HCF 312 bearing (additional equipment, not to be used at rubber damped bearings) | 2               |
| 2    | 7355013   | Rubber damped house for bearing Ø55 shaft   | 2               |
| 2a   | 690140114 | Bearing UC 211 R3 for Ø55 shaft, to be used together with no. 7355013                                 |                 |
| 2    | 7355034   | Rubber damped house for bearing Ø60 shaft   | 2               |
| 2b   | 0478791   | Bearing UC312 R3 for Ø60 shaft, to be used together with no. 7355034                                  | 2               |

### U-Profile roller

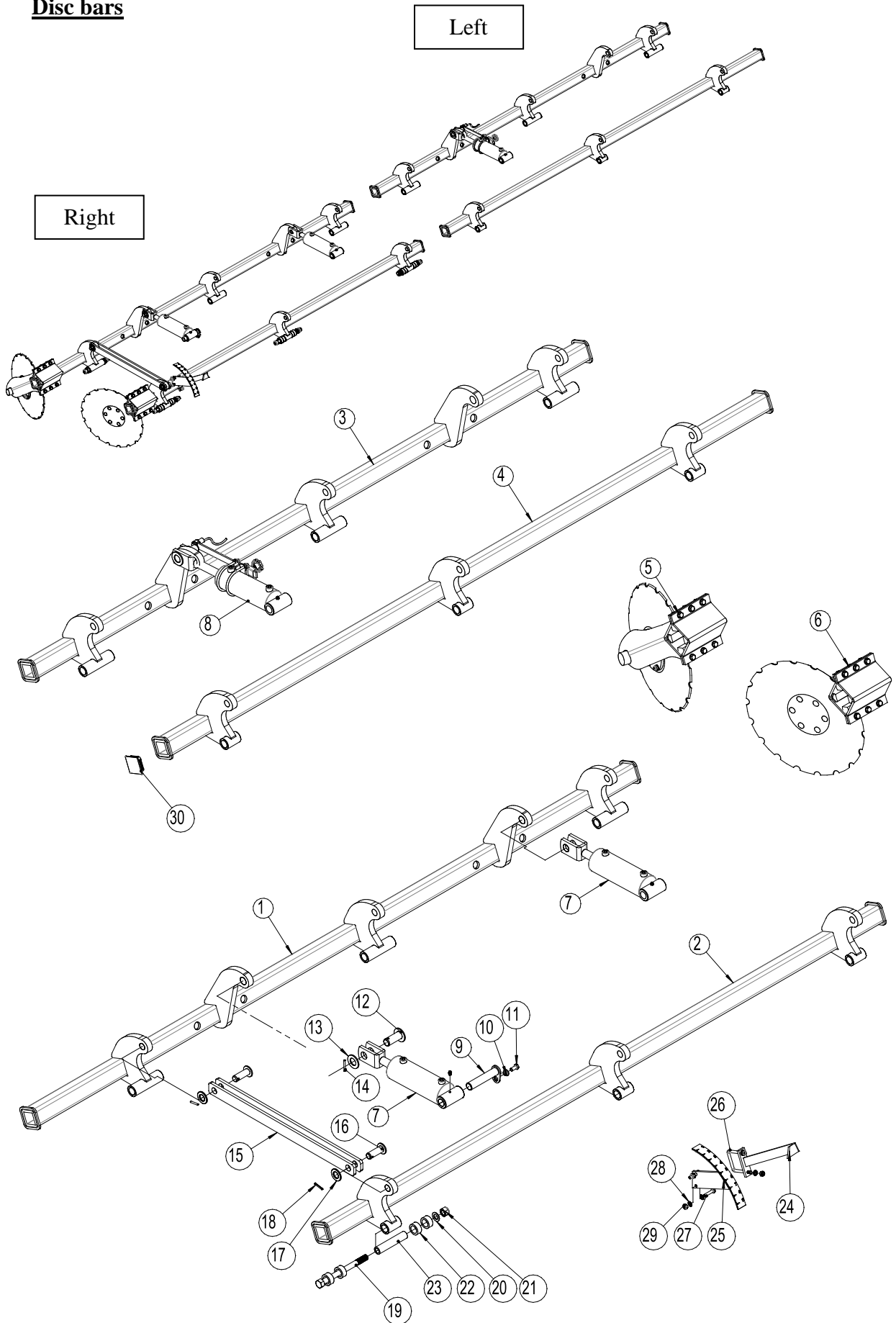


| Pos. | Item no.  | Designation   | 4,5m | 5,5m |
|------|-----------|---|------|------|
| 1    | 7450030   | Single U-Profile roller Ø600 L=2240   | 2    |      |
| 1    | 7450031   | Single U-Profile roller Ø600 L=2740   |      | 2    |
| 4    | 0478972   | Bearing HCF 312, 4 holes flange bearing w/eccentric lock washer, steel cast housing | 4    | 4    |
| 5    | 690103215 | Hexagon screw M20x70 8.8 UH DIN7991   | 16   | 16   |
| 6    | 0272310   | Facet washer Ø20  | 16   | 16   |
| 7    | 0264110   | Self-locking nut M20  | 16   | 16   |
| 8    | 690600020 | Bushing Ø60 L=20  | 4    | 4    |
| 9    | 7330021   | Thrust washer, adapted for the welding, Ø82,5xø61 L= 12                             | 4    | 4    |
|      |           | Scraper bar etc., see page 30   |      |      |

## Notes

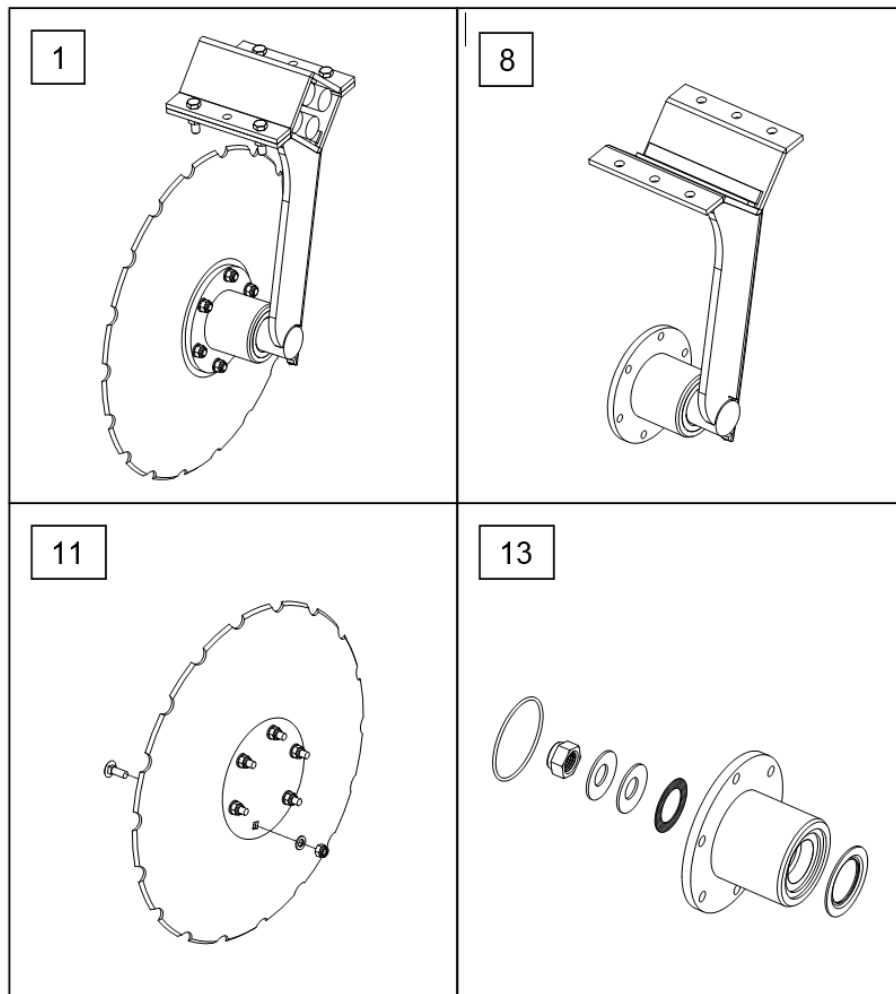
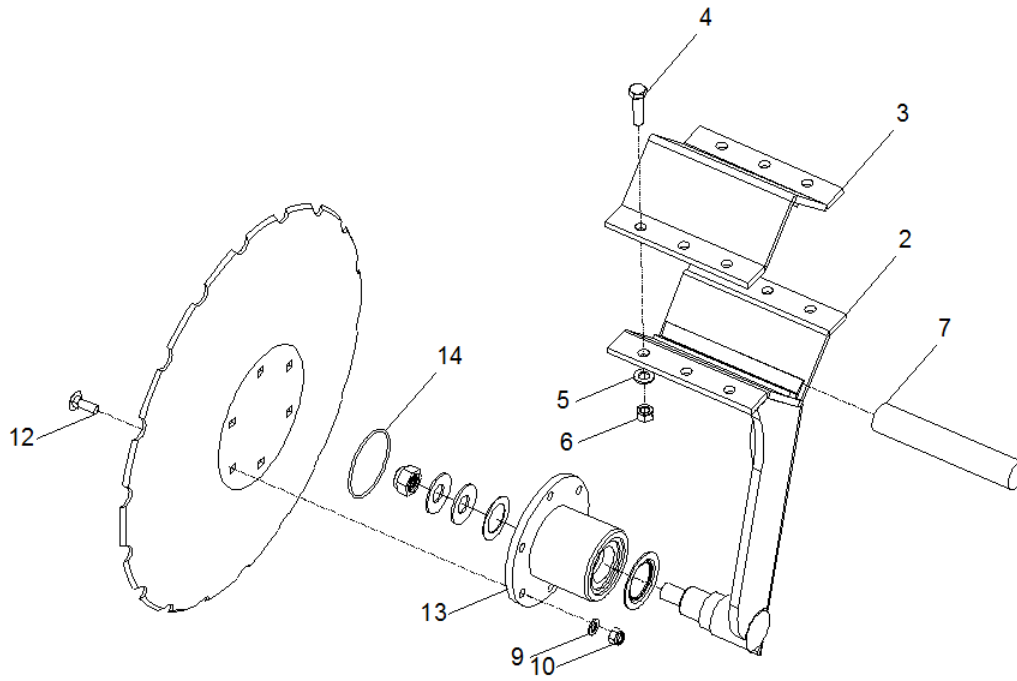
|  |  |
|--|--|
|  |  |
|--|--|



Disc bars

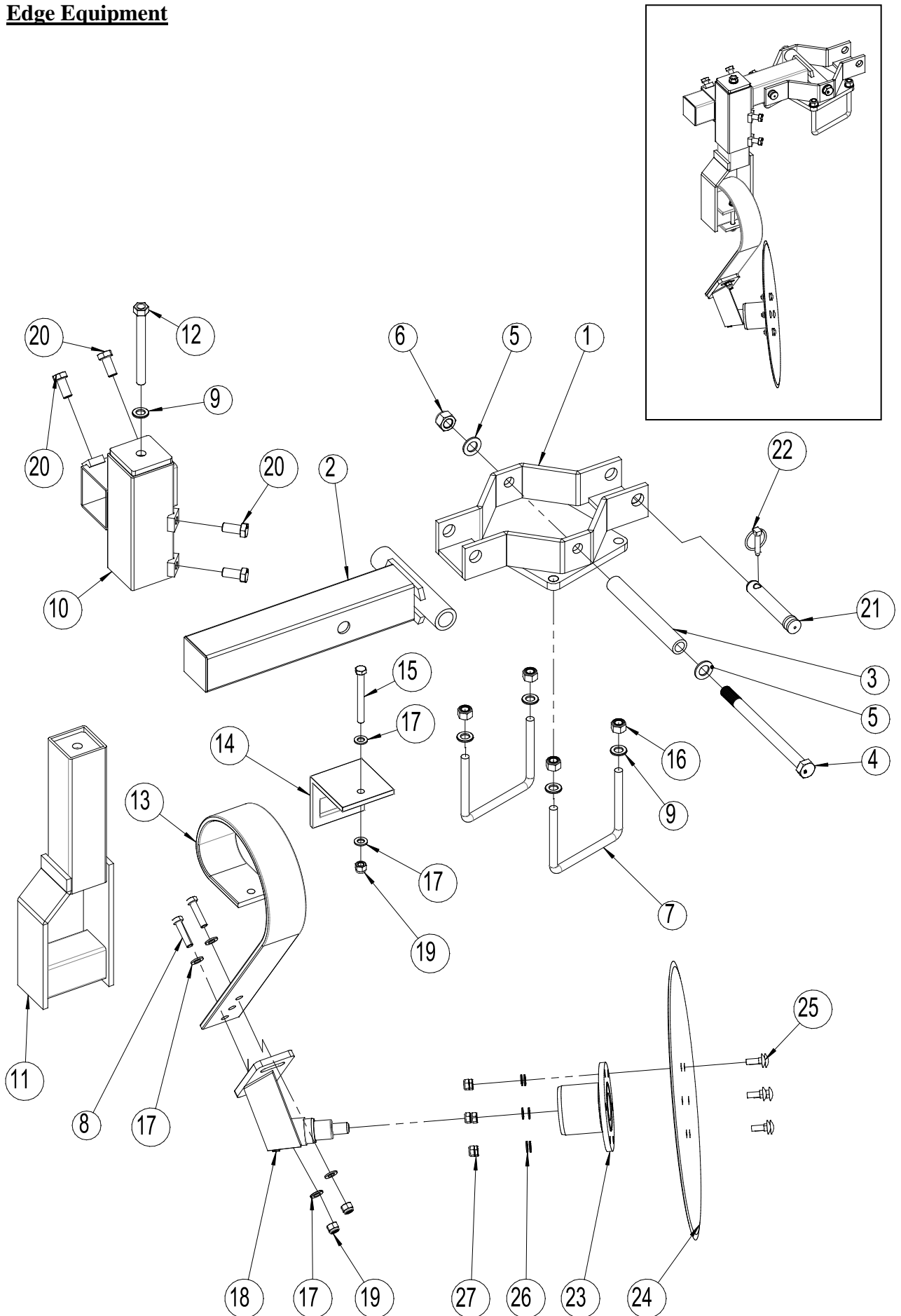
| Pos. | Item no.  | Designation                                      | 4,5m | 5,5m |
|------|-----------|--|------|------|
| 1    | 630928705 | Disc bar, rear, right                            | 1    |      |
| 1    | 630938605 | Disc bar, rear, right                            |      | 1    |
| 2    | 630928707 | Disc bar, front, right                           | 1    |      |
| 2    | 630938607 | Disc bar, front, right                           |      | 1    |
| 3    | 630928710 | Disc bar, rear, left                             | 1    |      |
| 3    | 630938609 | Disc bar, rear, left                             |      | 1    |
| 4    | 630928711 | Disc bar, front, left                            | 1    |      |
| 4    | 630938620 | Disc bar, front, left                            |      | 1    |
| 5    | 630949022 | Complete disc, left (see next two pages)         |      |      |
| 6    | 630949012 | Complete disc, right (see next two pages)        |      |      |
| 7    | 690200640 | Cylinder 85/30x155 Ø30 (right)                   | 1    | 2    |
| 7a   | 690200641 | Gasket set 85/30                                 |      |      |
| 8    | 690200620 | Cylinder 80/30x155 Ø30 (left)                    | 1    | 2    |
| 8a   | 690200621 | Gasket set 80/30                                 |      |      |
| 9    | 69430145G | Pin Ø30 L=145                                    | 2    | 4    |
| 10   | 630532600 | Lock Bush for pin head                           | 2    | 4    |
| 11   | 690101101 | Bolt M12x25 8.8 (with glue)                      | 2    | 4    |
| 12   | 69530060F | Pin Ø30 L=60                                     | 2    | 4    |
| 13   | 0272350   | Facet washer Ø30                                 | 2    | 4    |
| 14   | 0371540   | Roll pin Ø6x50 DIN1481                           | 2    | 4    |
| 15   | 630949077 | Parallel bar for bars                            | 8    | 12   |
| 16   | 69525061F | Pin Ø25 L=58                                     | 8    | 12   |
| 17   | 0272340   | Facet washer Ø27                                 | 8    | 12   |
| 18   | 690130132 | Roll pin Ø6x40 DIN1481                           | 8    | 12   |
| 19   | 690103172 | Bolt M20x200 10.9 (without Spring-Board)         | 8    | 12   |
| 20   | 0272310   | Facet washer Ø20                                 | 8    | 12   |
| 21   | 0264110   | Self-locking nut M20 DIN985                      | 8    | 12   |
| 22   | 630949078 | Bushing f/arm (loose, l=20)                      | 32   | 48   |
| 23   | 630929130 | Tube Ø30x5 L=148                                 | 8    | 12   |
| 24   | 630933264 | Indicator f/depth control on Disc-Roller Contour | 1    | 1    |
| 25   | 630933260 | Scale f/ depth control on Disc-Roller Contour    | 1    | 1    |
| 25a  | 698500018 | Transfer 1-9 scale for depth control             | 1    | 1    |
| 26   | 0382110   | U-bolt M10 70x70x70                              | 1    | 1    |
| 27   | 0235080   | Bolt M10x45mm, 8.8                               | 2    | 2    |
| 28   | 0272260   | Facet washer Ø10                                 | 6    | 6    |
| 29   | 0264060   | Self-locking nut M10                             | 4    | 4    |
| 30   | 690109202 | Plastic plug/tube leg 70x70                      | 8    | 8    |



Disc

| Pos | Item no.  | Designation  | Each Disc-stilk |
|-----|-----------|--|-----------------|
| 1   | 630949022 | Complete disc (left)   |                 |
| 1   | 630949012 | Complete disc (right)  |                 |
| 2   | 630949026 | Carrier arm (left)   |                 |
| 2   | 630949016 | Carrier arm (right)  |                 |
| 3   | 630949046 | Clamping plate for carrier arm   |                 |
| 4   | 690103091 | Bolt M12x45 10.9   | 6               |
| 5   | 690117014 | Facet washer Ø12   | 12              |
| 6   | 690113013 | Self-locking nut M12 (all-metal)                                       | 6               |
| 7   | 690210710 | Rubber cord Ø35 L=190  | 4               |
| 8   | 630949025 | Complete carrier arm (left)  |                 |
| 8   | 630949015 | Complete carrier arm (right)   |                 |
| 9   | 690117012 | Facet washer Ø10   | 6               |
| 10  | 690113005 | Self-locking nut M10   | 6               |
| 11  | 690153508 | Sabre Disc, scalloped Ø508 x 4mm w/6 holes and flat centre incl. bolts |                 |
| 12  | 690101210 | Bolt M10 x 30 8.8 (carrier bolt)                                       | 6               |
| 13  | 630949032 | Repair outfit incl. Hub  |                 |
| 14  | 690140910 | O-Ring 80 x 3  |                 |

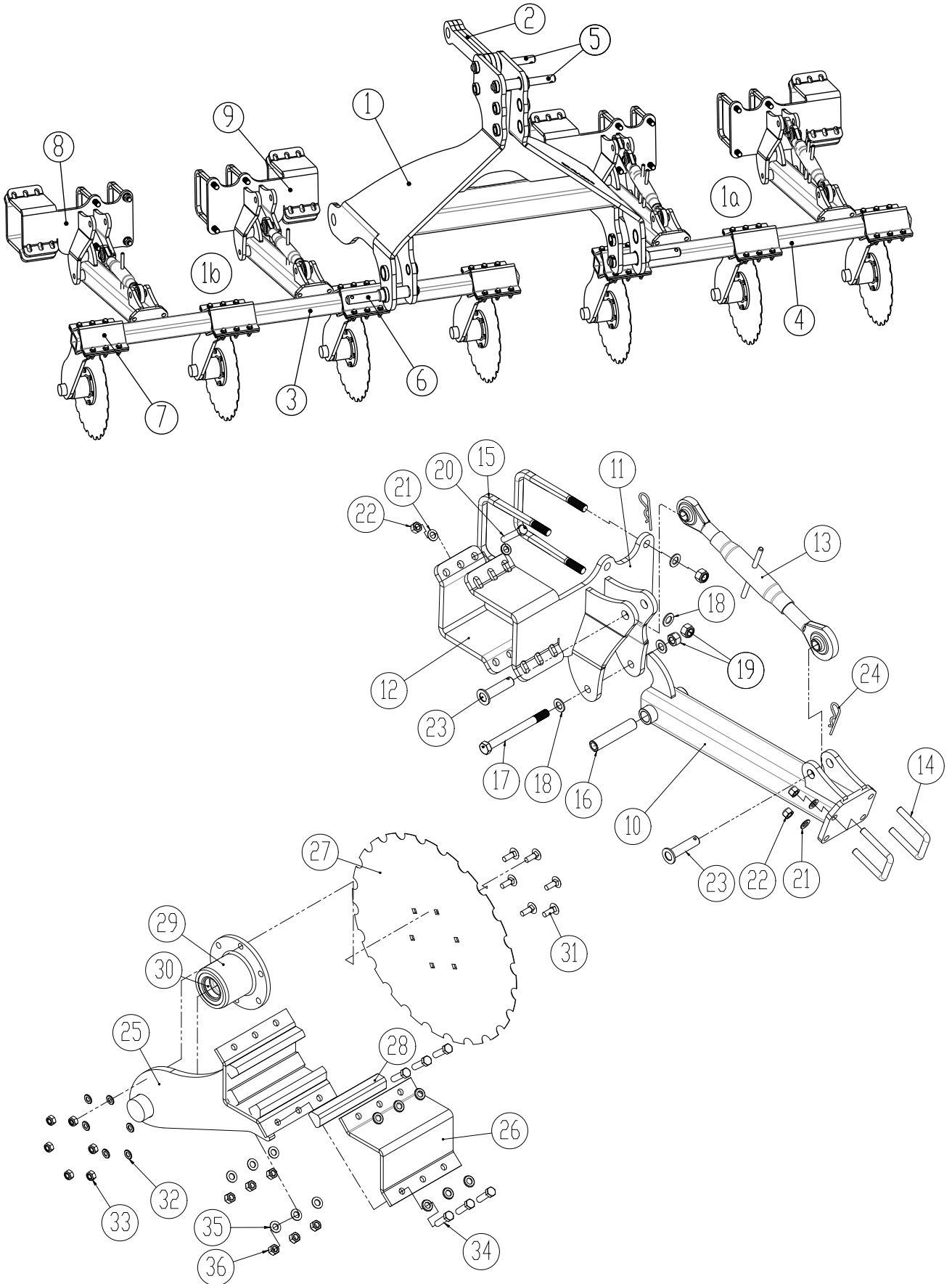


**Edge Equipment**



| Pos. | Item no.  | Designation                              | 4,5m | 5,5 m |
|------|-----------|--|------|-------|
|      | 630943094 | Complete edge equipment with 508 mm disc | 1    | 1     |
| 1    | 630943088 | Mounted holder                           | 1    | 1     |
| 2    | 630943090 | Mounted link                             | 1    | 1     |
| 3    | 630943095 | BK-tube 30x5 L= 233                      | 1    | 1     |
| 4    | 690103285 | Bolt M20x280 8.8                         | 1    | 1     |
| 5    | 690117005 | Facet washer Ø20                         | 2    | 2     |
| 6    | 690113009 | Self-locking nut M20                     | 1    | 1     |
| 7    | 690110103 | U-bolt M16x100x150x100                   | 2    | 2     |
| 8    | 690117013 | Facet washer Ø16                         | 5    | 5     |
| 9    | 690113008 | Self-locking nut M16                     | 4    | 4     |
| 10   | 630943099 | Mounted spindle cross                    | 1    | 1     |
| 11   | 630943102 | Mounted holder for tine/spindle          | 1    | 1     |
| 12   | 630943109 | Ass. adjustment bolt                     | 1    | 1     |
| 13   | 633052050 | Spring-Board tine 80x10mm – long         | 1    | 1     |
| 14   | 633052200 | Clamp for Spring-Board tine              | 1    | 1     |
| 15   | 690103098 | Bolt M12x110 10.9                        | 1    | 1     |
| 16   | 690117014 | Facet washer Ø12                         | 6    | 6     |
| 17   | 690113006 | Self-locking nut M12                     | 3    | 3     |
| 18   | 630943080 | Mounted bracket                          | 1    | 1     |
| 19   | 690103096 | Bolt M12x50 8.8                          | 2    | 2     |
| 20   | 690103117 | Bolt M14x40 8.8 set bolt                 | 4    | 4     |
| 21   | 69525107J | Pin ø28 L=107                            | 1    | 1     |
| 22   | 690134004 | Ring pin Ø10                             | 1    | 1     |
| 23   | 630949035 | Hub                                      | 1    | 1     |
| 24   | 690153509 | Disc, plain, ø508x4,0mm                  | 1    | 1     |
| 25   | 690101210 | Carrier bolt M10x30 8.8                  | 6    | 6     |
| 26   | 690117012 | Facet washer Ø10                         | 6    | 6     |
| 27   | 690113005 | Self-locking nut M10                     | 6    | 6     |

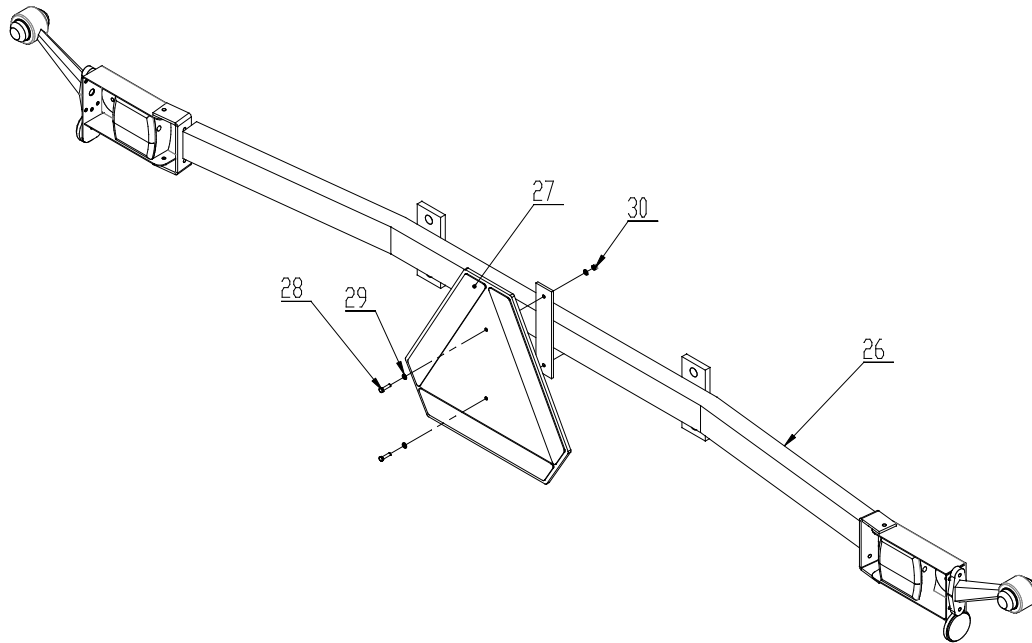
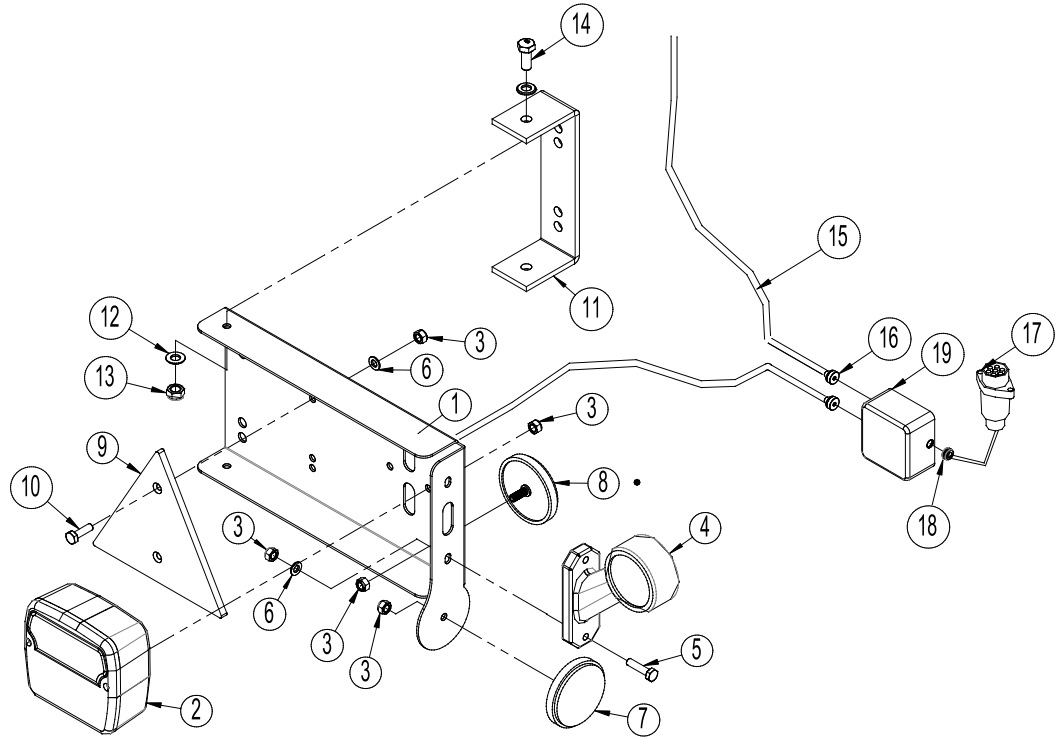


**Disc cutter in front of tines (additional equipment)**

| Pos. | Item no.  | Designation                           | 4,5m | 5,5 m |
|------|-----------|---------------------------------------|------|-------|
| 1    | 1310108   | Middleframe for disc-cutter bars      | 1    | 1     |
| 1a   | 1310079   | Left section complete                 | 1    |       |
| 1b   | 1310044   | Right section complete                | 1    |       |
| 2    | 1310118   | Toplink CC=450 mm                     | 1    | 1     |
| 3    | 1310045   | Bar 70x70x8 L = 2030 mm               | 1    | 1     |
|      |           | Bar 70x70x8 L =                       |      |       |
| 4    | 1310107   | Bar 70x70x8 L = 1430 mm               | 1    | 1     |
|      |           | Bar 70x70x8 L =                       |      |       |
| 5    | 69532105C | Round steel Ø45 – SB27M12CB           | 2    | 2     |
| 6    | 69537125C | Round steel E360 (St. 70-2)           | 2    | 2     |
| 7    | 1310029   | Disc cutter section right w/Ø470 disc | 7    | 9     |
| 8    | -         | Horn left orientation (pos. 10 – 24)  | 2    | 2     |
| 9    | -         | Horn right orientation (pos. 10 – 24) | 2    | 2     |
| 10   | 1310080   | Suspension for bar                    | 4    | 4     |
| 11   | 1310076   | Suspension for disc cutter left       | 2    | 2     |
| 11   | 1310061   | Suspension for disc cutter right      | 2    | 2     |
| 12   | 645200061 | Mounting bracket                      | 4    | 4     |
| 13   | 690302011 | Toplink M36, 450 – 580 mm             | 4    | 4     |
| 14   | 0382150   | U-bolt M16x70x70x70                   | 8    | 8     |
| 15   | 690110500 | U-bolt M20x180x180x180                | 8    | 8     |
| 16   | 1310075   | Steelpipe Ø30x5 L=145                 | 4    | 4     |
| 17   | 690103178 | Bolt M20x220 10.9                     | 4    | 4     |
| 18   | 690117005 | Facet washer Ø20                      | 40   | 40    |
| 19   | 0264110   | Self-locking nut M20                  | 20   | 20    |
| 20   | 0238850   | Bolt M16x90 10.9                      | 16   | 16    |
| 21   | 0272290   | Facet washer Ø16 DIN125B              | 32   | 32    |
| 22   | 0264090   | Self-locking nut M16                  | 16   | 16    |
| 23   | 6952587F  | Pin Ø25 L=87                          | 8    | 8     |
| 24   | 0377600   | Hair clip Ø6                          | 8    | 8     |
| 25   | 1310032   | Stilk, complete for Ø470 disc cutter  | 7    | 9     |
| 26   | 30949045  | Bracket for rubber suspension         | 7    | 9     |
| 27   | 0427854   | Disc cutter Ø470                      | 7    | 9     |
| 28   | 690210710 | Rubber profile Ø35 L=190 mm           | 28   | 36    |
| 29   | 630949035 | Hub, complete                         | 7    | 9     |
| 30   | 630949036 | Repair kit for hub, (excl. hub)       | 7    | 9     |
| 31   | 0248421   | Carriage bolt M10x30, 8.8 fzb DIN 603 | 42   | 54    |
| 32   | 0272260   | Facet washer Ø10 mm fzb DIN125B       | 42   | 54    |
| 33   | 0264060   | Self-locking nut M10 DIN 985          | 42   | 54    |
| 34   | 690103091 | Bolt M12x45 10.9                      | 42   | 54    |
| 35   | 0272270   | Facet washer Ø12, fzb DIN125B         | 84   | 108   |
| 36   | 690113013 | Self-locking nut M12                  | 42   | 54    |



Lights



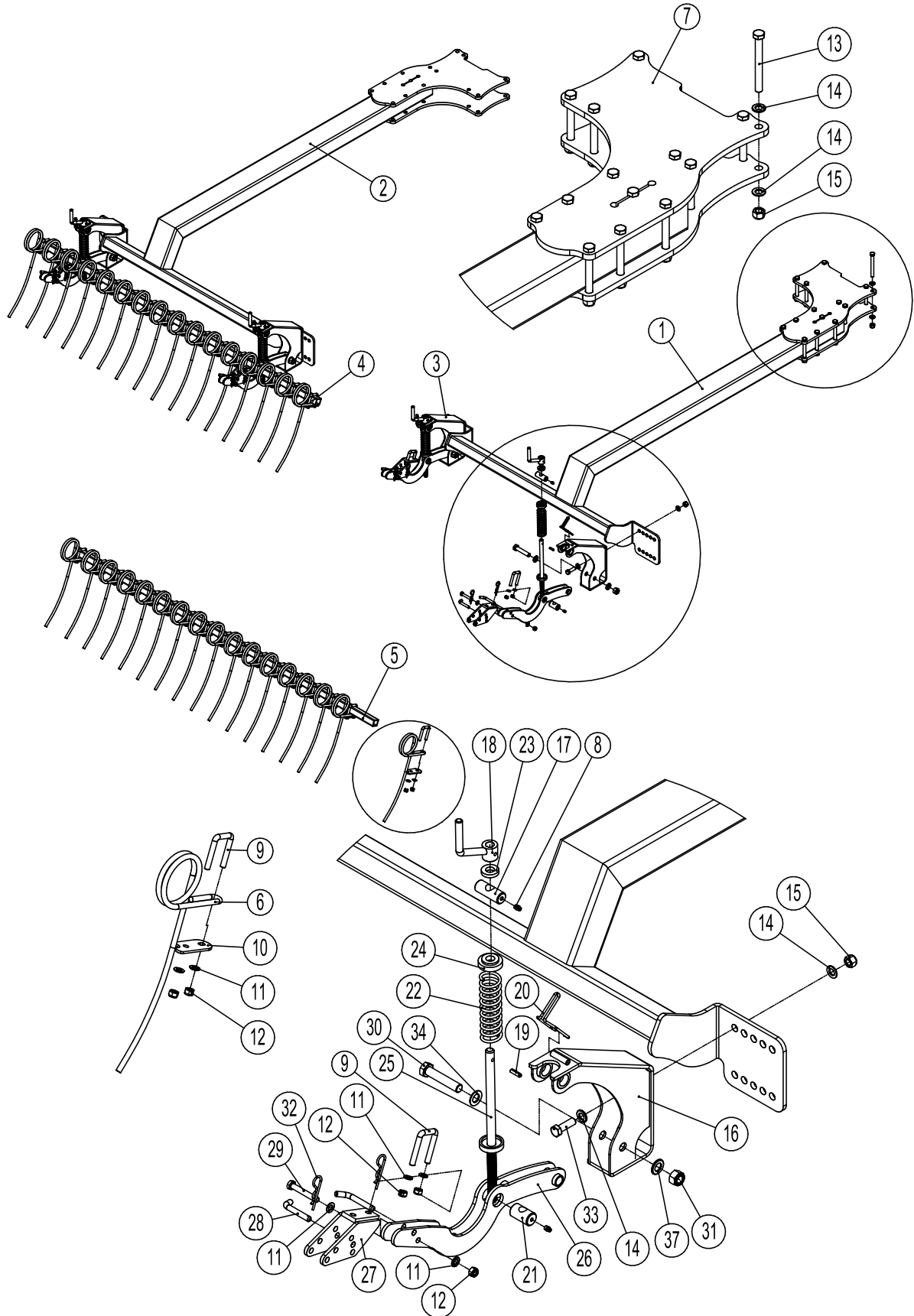
| Pos. | Item no.  | Designation  | Pcs. |
|------|-----------|--|------|
| 1    | 7357505   | Lightbox (L)   | 1    |
|      | 7357508   | Lightbox (R)   | 1    |
| 2    | 7357504   | Rear light   | 2    |
| 3    | 0264030   | Locking nut M5   | 16   |
| 4    | 7357507   | Marking lights (L)   | 1    |
|      | 7357509   | Marking lights (R)   | 1    |
| 5    | 0234340   | Bolt M5x25   | 4    |
| 6    | 0272240   | Facet washer Ø5  | 8    |
| 7    | 0656240   | Reflex, yellow   | 2    |
| 8    | 0656250   | Reflex, white  | 2    |
| 9    | 0521030   | Reflex, red  | 2    |
| 10   | 0233860   | Bolt M6x20   | 4    |
| 11   | 7357516   | Bracket  | 2    |
| 12   | 0234330   | Facet washer Ø8  | 16   |
| 13   | 0264040   | Self-locking nut M8  | 8    |
| 14   | 0234330   | Bolt M8x20   | 4    |
| 15   | 690160080 | Cable 5 x 1mm <sup>2</sup> (Inform about length by ordering sparepart) |      |
| 16   | 7357545   | Rutaseal nipple M20 8-12mm Grey RAL7001                                | 2    |
| 17   | 690160070 | Plug 7 poles DIN 72 577 – ISO 1724                                     | 1    |
| 18   | 7357546   | Rubberbushing Nr. 38A Ø10/3 black                                      | 1    |
| 19   | 0520492   | Junction box 105x105x60  | 1    |
|      |           |  |      |
| 26   | 630835015 | Lighting bar   | 1    |
| 27   | 690142001 | Warning triangle   | 1    |
| 28   | 690103014 | Bolt M5 x 20   | 1    |
| 29   | 690117002 | Facet washer Ø5  | 2    |
| 30   | 690113002 | Self-locking nut M5  | 4    |

**Notice:**

**Check number and measurements of all cables before ordering the spare parts.**



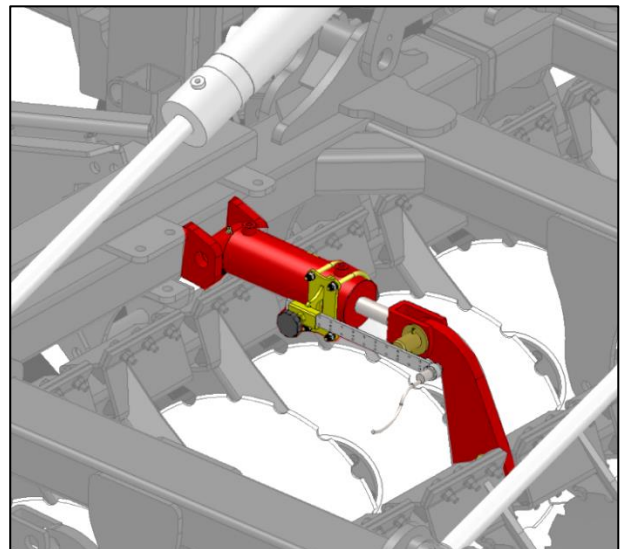
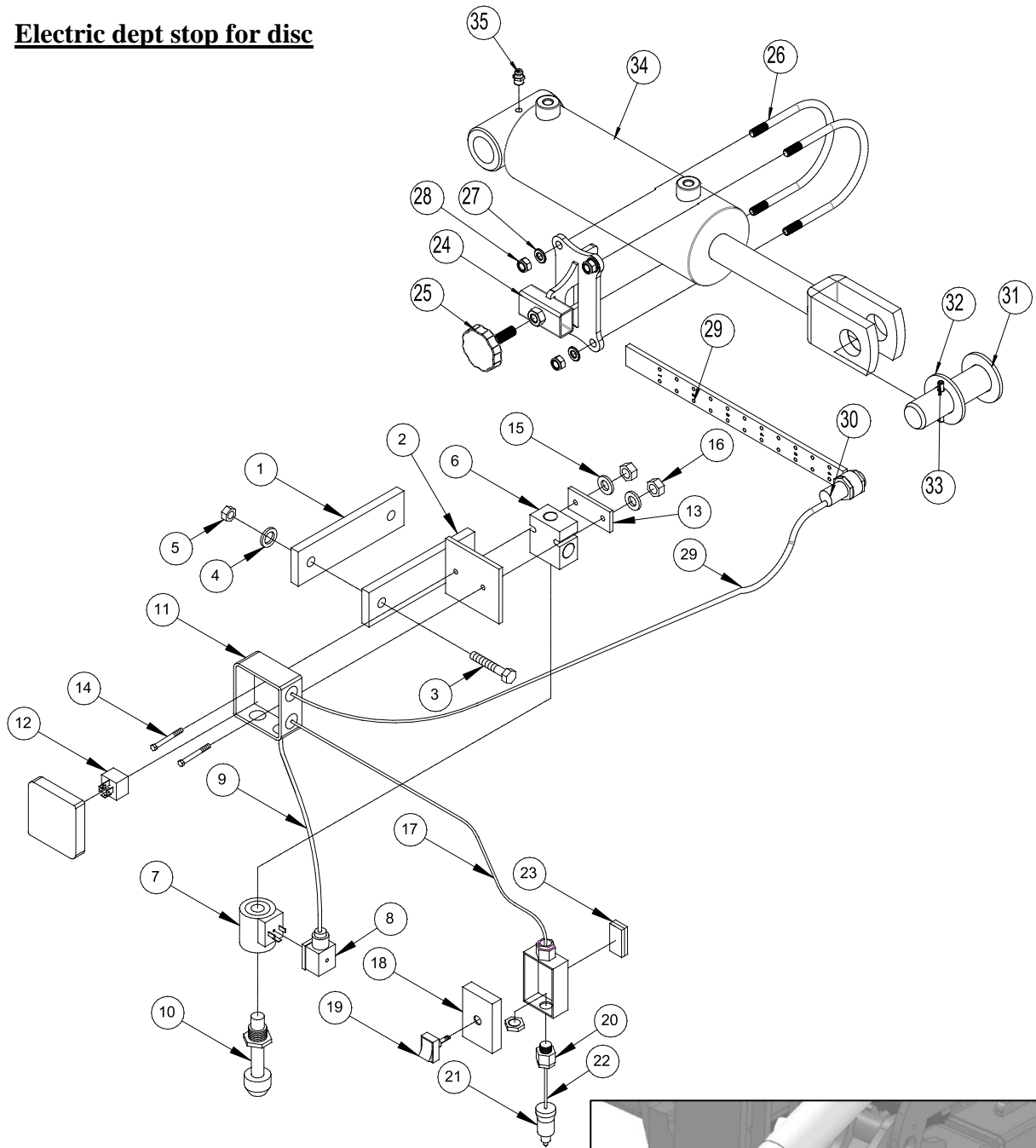
**Longfinger harrow (additional equipment)**



| Pos. | Item no.  | Designation                               | Pcs. |
|------|-----------|---|------|
| 1    | 1300192   | Arm for after harrow, right               | 1    |
| 2    | 1300193   | Arm for after harrow, left                | 1    |
| 3    | 1140969   | Complete holder for bar                   | 4    |
| 4    | 1300158   | Bar 40x40x5 L=2230, left                  | 1    |
| 5    | 1300147   | Bar 40x40x5 L=2390, right                 | 1    |
| 6    | 0426125   | Long finger tine Ø12                      | 33   |
| 7    | 1300336   | Plate for mounting arm on the Disc-Roller | 4    |
| 8    | 0432500   | Lubrication nipple M8                     | 4    |
| 9    | 690110050 | U-bolt M12 40x40x40                       | 37   |
| 10   | 1012521   | Clamping plate                            | 33   |
| 11   | 0272270   | Faceted washer Ø12 DIN 125B fzb           | 78   |
| 12   | 0264070   | Self-locking nut M12, DIN 985             | 82   |
| 13   | 0335955   | Bolt M16x160 8.8 fzb                      | 28   |
| 14   | 0272290   | Faceted washer Ø16 DIN125B                | 72   |
| 15   | 0264090   | Safety nut M16                            | 36   |
| 16   | 1140966   | Console for bar holder                    | 4    |
| 17   | 101147-0  | Bearing for spindle                       | 4    |
| 18   | 103626-0  | Crank                                     | 4    |
| 19   | 0371660   | Roll pin Ø8x32 mm                         | 4    |
| 20   | 0431980   | Spindle keeper Ø5                         | 4    |
| 21   | 101230-0  | Spindle nut                               | 4    |
| 22   | 0431250   | Spring Ø6x44x180x12v                      | 4    |
| 23   | 101141-0  | Stop ring Ø40x8                           | 4    |
| 24   | 1170460   | Disc centring spring                      | 4    |
| 25   | 1170467   | Spindle                                   | 4    |
| 26   | 1170468   | Arm                                       | 4    |
| 27   | 1170469   | Adjustment assembly                       | 4    |
| 28   | 1170478   | Pin Ø12                                   | 8    |
| 29   | 0235440   | Bolt M12x80 8.8 fzb                       | 4    |
| 30   | 0236190   | Bolt M20x100 8.8 fzb                      | 4    |
| 31   | 0264110   | Self-locking nut M20                      | 4    |
| 32   | 0264060   | Hair-clip Ø4                              | 8    |
| 33   | 690103197 | Bolt M16x50 8.8                           | 8    |
| 34   | 0272310   | Faceted washer Ø20 DIN125B                | 4    |



### Electric dept stop for disc

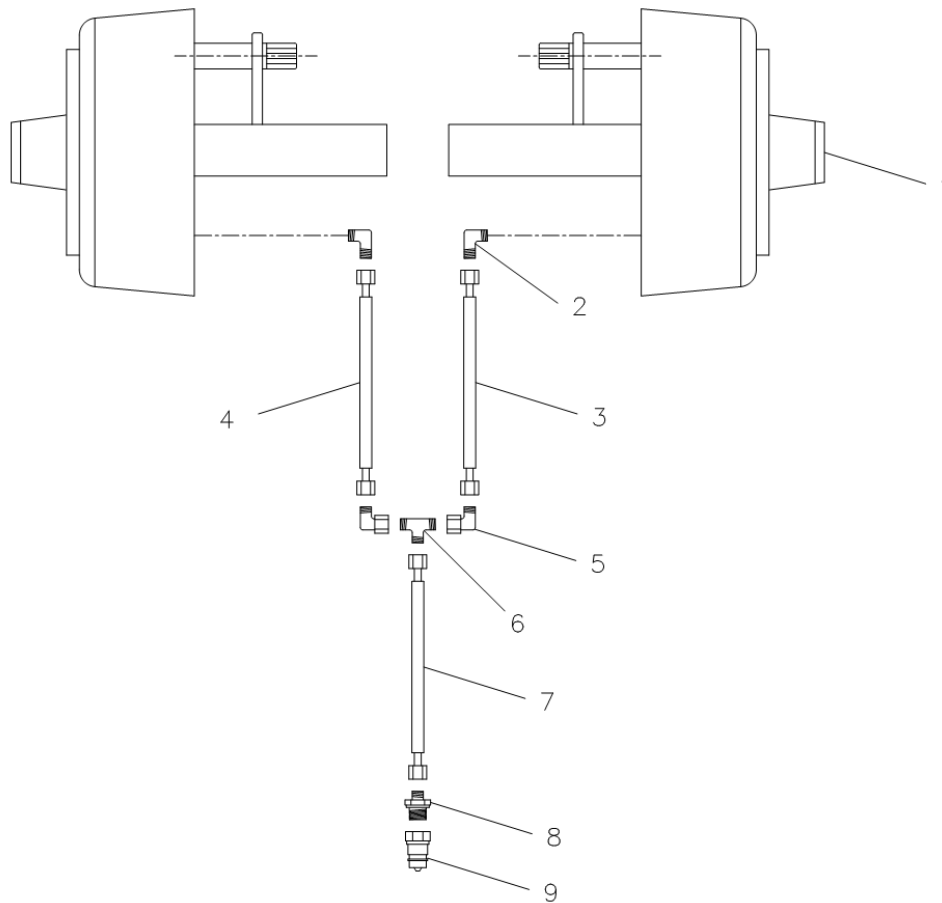




| Pos. | Item no.  | Designation                               | Pcs. |
|------|-----------|---|------|
| 1    | 630932034 | Clamping plate f/el-depth stop            | 1    |
| 2    | 630932035 | Bracket f/connection box on el-depth stop | 1    |
| 3    | 0235400   | Bolt M12x60 8.8                           | 2    |
| 4    | 0272270   | Facet washer Ø12                          | 2    |
| 5    | 0264070   | Self-locking nut M12 DIN985               | 2    |
| 6    | 0442763   | Valve block 4B 10/2 1/2"                  | 1    |
| 7    | 0442764   | Magnet coil 12VDC 20W                     | 1    |
| 8    | 690209030 | Plug f/solenoid valve DIN 43650           | 1    |
| 9    | 0525060   | Cable 2x0,75 mm <sup>2</sup> L = 0.32m    | 1    |
| 10   | 0442762   | Valve 10 NO (57 ltr)                      | 1    |
| 11   | 0520490   | Connection box 80x80x50 (white)           | 1    |
| 12   | 0527120   | Relay 12V/30A                             | 1    |
| 13   | 630941061 | Clamping plate f/valve block              | 1    |
| 14   | 0234400   | Bolt M6x60 8.8                            | 2    |
| 15   | 0272240   | Facet washer Ø6                           | 2    |
| 16   | 0264040   | Self-locking nut M6 DIN985                | 2    |
| 17   | 0525060   | Cable 2x0,75 mm <sup>2</sup> L = 4.5m     | 1    |
| 18   | 690209486 | Connection box 72x50x41                   | 1    |
| 19   | 0527135   | Switch 0-1 (red) Ø12 hole mounting        | 1    |
| 20   | 690209475 | Connector PG11 w/nut                      | 2    |
| 21   | 0442766   | Plug 2 poles +/- 12V                      | 1    |
| 22   | 0525060   | Cable 2x0,75 mm <sup>2</sup> L = 1.0m     | 1    |
| 23   | 690210720 | Velcro band L=65 mm                       | 1    |
| 24   | 1300085   | Bracket f/scale/inductive sensor          | 1    |
| 25   | 0489103   | Thumbscrew M8x20                          | 1    |
| 26   | 690110001 | U-bolt M8 Ø92                             | 2    |
| 27   | 0272250   | Facet washer Ø8                           | 4    |
| 28   | 0264050   | Self-locking nutk M8                      | 4    |
| 29   | 1115480   | Scale                                     | 1    |
| 30   | 0442768   | Inductive sensor M18 (incl. cable)        | 1    |
| 31   | 69530056F | Pin Ø30 L=56                              | 1    |
| 32   | 0272350   | Facet washer Ø30                          | 2    |
| 33   | 0371540   | Roll pin ø6x50mm, fzb DIN1481             | 4    |
| 34   | 690200620 | Cylinder 80/30x155mm gaffel/ø30           | 2    |
| 34a  | 690200621 | Gasket set 80/30                          |      |
| 35   | 0432510   | Lubricating nipple, straight H1 M8x1,25   | 1    |



### Hydraulic brake



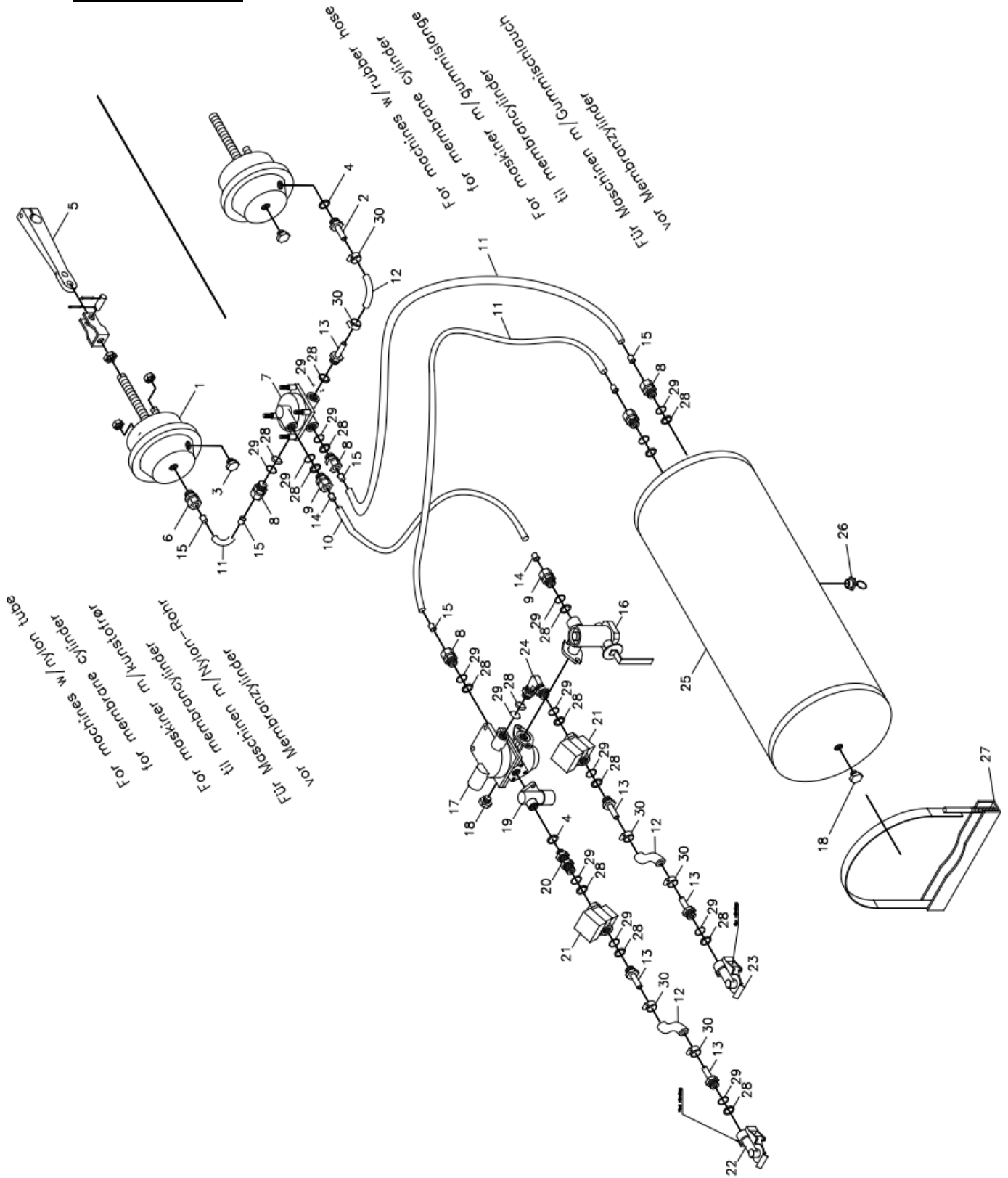
| Pos. | Item no.  | Designation                    | 4,5 m | 5,5 m |
|------|-----------|--------------------------------|-------|-------|
| 1    |           | See pages with wheelframes     | 2     | 2     |
| 2    | 690203106 | Fitting, 90angle 12-3/8" BSP   | 2     | 2     |
| 3    | 690201020 | Hydr. hose 1625 mm 1/4" st/st  | 1     | 1     |
| 4    | 690201020 | Hydr. hose 1625 mm 1/4" st/st  | 1     | 1     |
| 5    | 690203016 | Fitting 90angle 10mm           | 2     | 2     |
| 6    | 690203015 | Fitting T10                    | 1     | 1     |
| 7    | 690201012 | Hydr. hose 6000mm 1/4" st/st   | 1     | 1     |
| 8    | 690203003 | Fitting, straight 10-1/2" BSP  | 2     | 2     |
| 9    | 690203001 | Quick coupling, male E402 1/2" | 2     | 2     |

**Notice:**

**Check number and measurements of all hoses before ordering the spare parts.**



**Pneumatic brake**



| Pos. | Item no.  | Designation                         | w/nylon tube for membrane cyl. | w/rubber hose for membrane cyl. |
|------|-----------|-------------------------------------|--------------------------------|---------------------------------|
| 1    | 690190001 | Membrane cylinder 16"               | 2                              | 2                               |
| 2    | 690190070 | Hose fittings M16x1,5 m/ Ø12        | 0                              | 2                               |
| 3    | 690190005 | Test fitting, straight M16x1,5      | 2                              | 2                               |
| 4    | 690208102 | Bonded seal PP 45-12                | 1                              | 3                               |
| 5    | 690190010 | Mounting set, short U-bracket       | 2                              | 2                               |
| 6    | 690202930 | Fitting, straight M16x1,5, Ø15 hose | 2                              | 0                               |
| 7    | 690190015 | Relay valve M22x1,5                 | 1                              | 1                               |
| 8    | 690202941 | Fitting, straight M22x1,5, Ø15 hose | 6                              | 4                               |
| 9    | 690202940 | Fitting, straight M22x1,5, Ø10 hose | 2                              | 2                               |
| 10   | 690190080 | Nylon tube Ø10x1mm                  | 1                              | 1                               |
| 11   | 690190085 | Nylon tube Ø15x1,5mm                | 4                              | 2                               |
| 12   | 690190105 | Hose Ø14,5x5mm                      | 2                              | 4                               |
| 13   | 690190073 | Hose fitting M22x1,5, m/Ø12         | 4                              | 6                               |
| 14   | 690190090 | Support bushing f/tube Ø10x1,5mm    | 2                              | 2                               |
| 15   | 690190095 | Support bushing f/tube Ø15x1,5mm    | 8                              | 4                               |
| 16   | 690190020 | Brake power regulator M22x1,5       | 1                              | 1                               |
| 17   | 690190025 | Trailer air brake valve M22x1,5     | 1                              | 1                               |
| 18   | 690190026 | Plug                                | 2                              | 2                               |
| 19   | 690190035 | Relief valve                        | 1                              | 1                               |
| 20   | 690203420 | Fitting, straight M16x1,5+M22x1,5   | 1                              | 1                               |
| 21   | 690190040 | Filter M22x1,5                      | 2                              | 2                               |
| 22   | 690190045 | Hose coupling M22x1,5 (red)         | 1                              | 1                               |
| 23   | 690190046 | Hose coupling M22x1,5 (yellow)      | 1                              | 1                               |
| 24   | 690190030 | V-fittings M22x1,5                  | 1                              | 1                               |
| 25   | 690190050 | Air receiver 40ltr                  | 1                              | 1                               |
| 26   | 690190051 | Drainage valve                      | 1                              | 1                               |
| 27   | 690190052 | Suspension for air receiver         | 2                              | 2                               |
| 28   | 690190060 | Pressure ring M22x1,5               | 15                             | 15                              |
| 29   | 690190065 | O-ring M22x1,5                      | 15                             | 15                              |
| 30   | 690109305 | Hose clamp 15-24 mm                 | 4                              | 8                               |

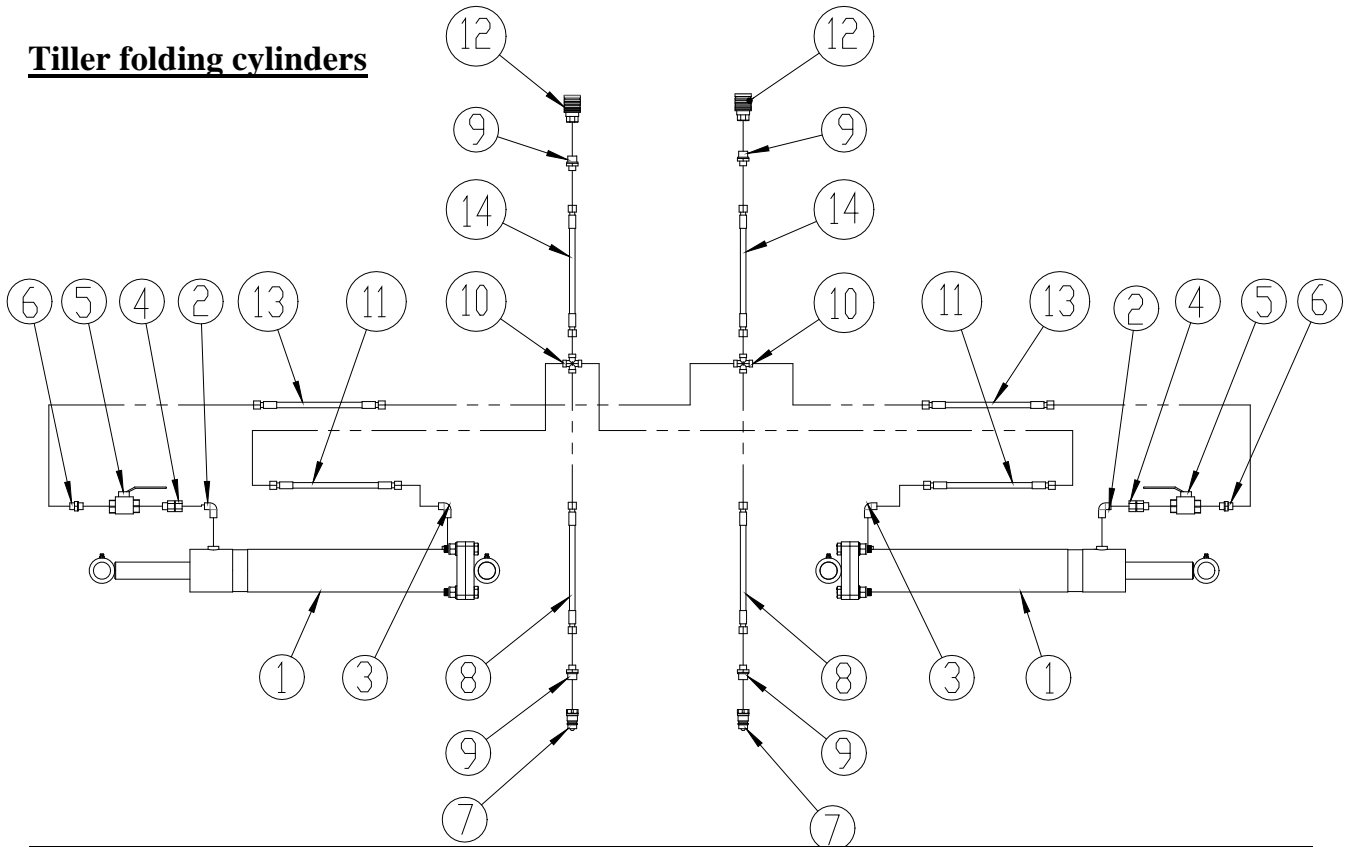
**Notice:**

**Check number and measurements of all hoses before ordering the spare parts.**



## Hydraulic

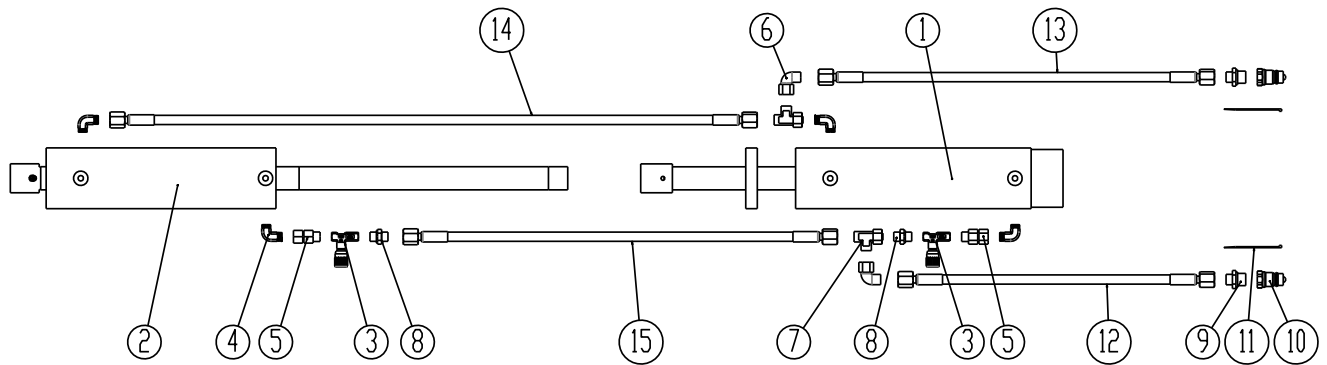
### Tiller folding cylinders



| Pos. | Item no.  | Designation                       | Pcs. |
|------|-----------|-----------------------------------|------|
| 1    | 690200255 | Cylinder 90/40x500                | 2    |
| 1a   | 690200274 | Gasket set 90/40 (Laizhou)        |      |
| 2    | 690203106 | Fitting, 90° 12-3/8" BSP          | 2    |
| 3    | 690203006 | Fitting, 90° 10-3/8" BSP          | 2    |
| 4    | 690203130 | Fitting straight 12 with O-ring   | 2    |
| 5    | 690202990 | Ball valve 3/8"                   | 2    |
| 6    | 690203002 | Fitting straight 10-3/8" BSP      | 2    |
| 7    | 690203001 | Quick coupling 1/2", male         | 2    |
| 8    | 690201029 | Hydraulic hose 4300 mm 1/4" st/st | 2    |
| 9    | 690203003 | Fitting straight Ø10 x1/2" BSP    | 4    |
| 10   | 690203019 | Connector 4-way 10 mm             | 2    |
| 11   | 690201015 | Hydraulic hose 710 mm 1/4" st/st  | 2    |
| 12   | 690203000 | Quick coupling 1/2" female        | 2    |
| 13   | 690201067 | Hydraulic hose 790 mm 1/4" st/st  | 2    |
| 14   | 690201060 | Hydraulic hose 3000 mm 1/4" st/st | 2    |



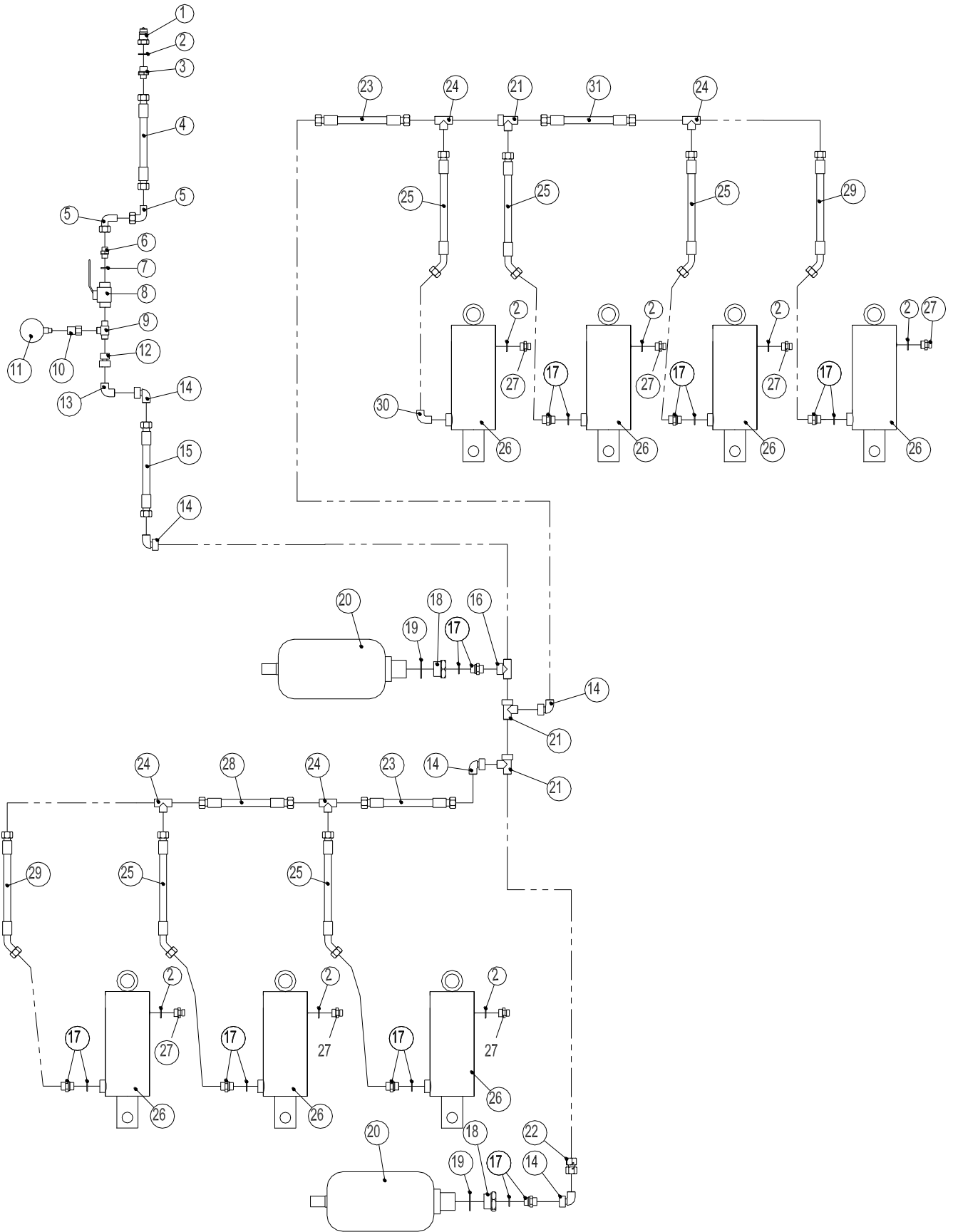
## Drawbar and transport wheels



| Pos. | Item no.  | Designation   | Pcs. |
|------|-----------|---|------|
| 1    | 7345073   | Cylinder 100/50x280mm Ø40/Ø45 with depth adjustment<br><i>See chapter: Drawbar and cylinder, page 4</i> | 1    |
| 1    | 7345057   | Cylinder 100/50x280mm Ø40/Ø45 w/stop ring <i>only cylinder</i>  | 1    |
| 2    | 7345049   | Cylinder for transport wheels 90/40x285 Ø30,25/Ø40,5<br><b><i>before serial no. 350873</i></b>          | 1    |
|      | 690200274 | Gasket set 90/40 (Laizhou)  |      |
| 2    | 7345095   | Cylinder for transport wheels 100/40x285 Ø40,5/Ø40,25<br><b><i>after serial no. 350873</i></b>          | 1    |
|      | 690200296 | Gasket set 100/40 (Laizhou)   |      |
| 3    | 690207130 | Restrictor valve, adjustable 3/8"   | 2    |
| 4    | 690203106 | Fitting 90° 12-3/8" BSP   | 4    |
| 5    | 690203130 | Fitting straight 12 with O-ring   | 2    |
| 6    | 690203112 | Fitting 90° 12 mm adjustable  | 2    |
| 7    | 690203017 | Fitting adjustable T12 L with O-ring  | 2    |
| 8    | 0446754   | Fitting straight Ø12 x 3/8"   | 2    |
| 9    | 690203103 | Fitting straight Ø12 x 1/2" BSP   | 2    |
| 10   | 690203001 | Quick coupling 1/2", male   | 2    |
| 11   |           | Straps  | 2    |
| 12   | 690201232 | Hydraulic hose 3/8" st/st L= 3520 mm  | 1    |
| 13   | 690201234 | Hydraulic hose 3/8" st/st L= 3800 mm  | 1    |
| 14   | 690201228 | Hydraulic hose 3/8" st/st L= 2300 mm  | 1    |
| 15   | 690201202 | Hydraulic hose 3/8" st/st L= 2025 mm  | 1    |



**Hydraulics for stone protection**



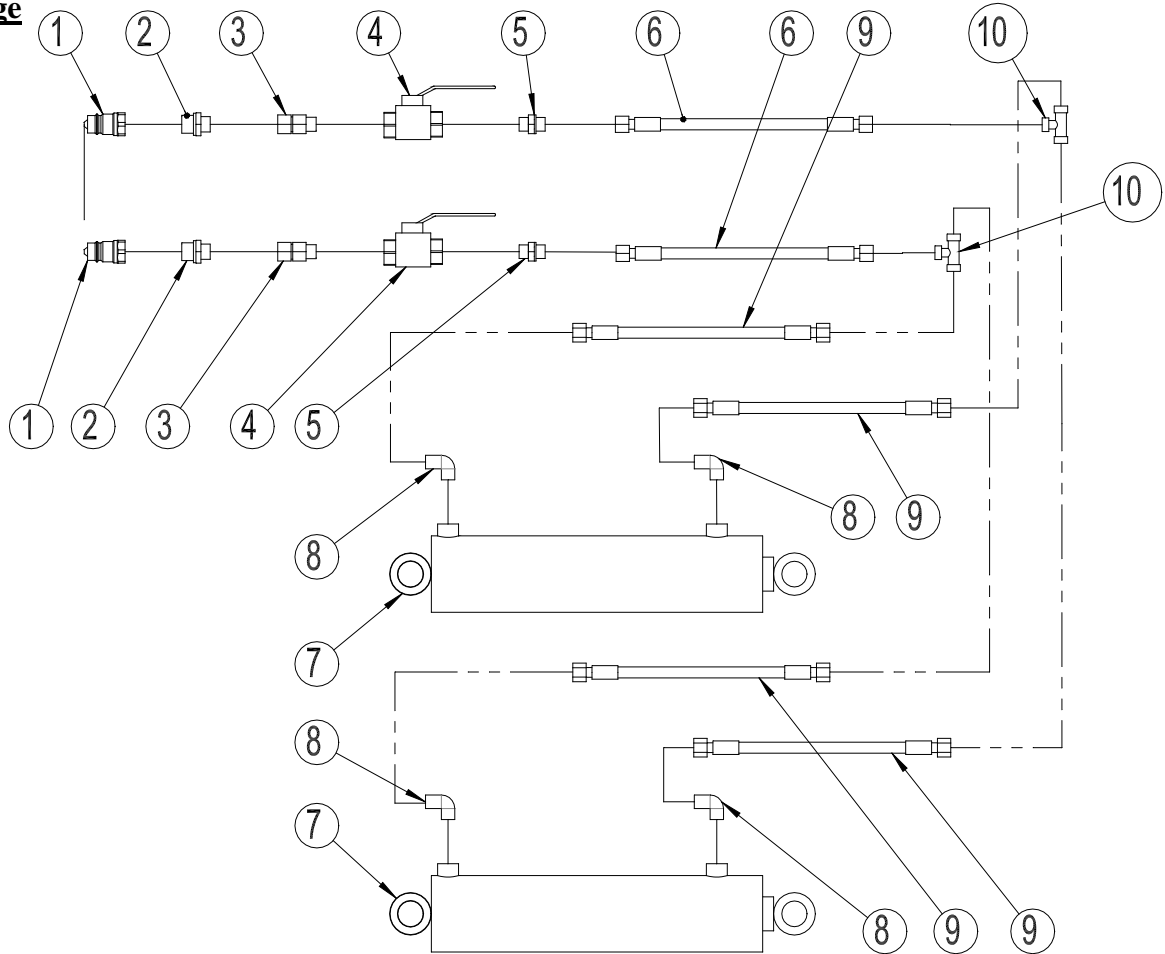
| Pos. | Item no.  | Designation                            | 4 m -<br>7 tines | 5 m -<br>9 tines |
|------|-----------|--|------------------|------------------|
| 1    | 690203001 | Quick coupling ½” E402, male           | 1                | 1                |
| 2    | 690208108 | Bonded seal Ø21,5x28,6x2,0 ½” BSP      | 8                | 8                |
| 3    | 690203003 | Fitting, Ø10-½” BSP                    | 1                | 1                |
| 4    | 690201432 | Hydraulic hose 2300 mm ½” st/st        | 1                | 1                |
| 5    | 690203016 | Fitting 90angle Ø10                    | 2                | 2                |
| 6    | 690203002 | Fitting, Ø10-¾” BSP                    | 1                | 1                |
| 7    | 690208096 | Bonded seal Ø17,3x23,8x2,0 ¾” BSP      | 1                | 1                |
| 8    | 690202990 | Ball valve ¾”                          | 1                | 1                |
| 9    | 690203314 | Fitting T ¾”-Ø12-Ø12                   | 1                | 1                |
| 10   | 690206825 | Pressure gauge fitting Ø12-¼”          | 1                | 1                |
| 11   | 690206824 | Pressure gauge 0-400 bar               | 1                | 1                |
| 12   | 690204506 | Reversed fitting Ø15 / Ø12             | 1                | 1                |
| 13   | 690204508 | Fitting Ø15                            | 1                | 1                |
| 14   | 690204500 | Fitting 90angle Ø15 mm w/union nut     | 5                | 5                |
| 15   | 690201445 | Hydraulic hose 1150 mm ½” st/st        | 1                | 1                |
| 16   | 690204505 | Fitting T Ø15                          | 1                | 1                |
| 17   | 690204512 | Fitting, straight Ø15x½” w/o-ring      | 7                | 7                |
| 18   | 690204501 | Fitting, straight ½”x¼”                | 2                | 2                |
| 19   | 690208111 | Bonded seal Ø42,93x52,38x3,0 1 ¼”      | 2                | 2                |
| 20   | 690206513 | Accumulator 4.5 L 90 bar               | 2                | 2                |
| 21   | 690204502 | Fitting T Ø15 L.                       | 3                | 3                |
| 22   | 690204509 | Reversed fitting Ø15 w/o-ring          | 1                | 1                |
| 23   | 690201449 | Hydraulic hose 850 mm ½” st/st         | 2                | 2                |
| 24   | 690204507 | Fitting T Ø15                          | 4                | 4                |
| 25   | 690201430 | Hydraulic hose 590 mm ½” st/45°        | 5                | 5                |
| 26   | 690200114 | Cylinder 100/50xØ35/Ø30 rod end-clevis | 7                | 7                |
| 26a  | 690200285 | Pakningssæt 100/50 (Laizhou)           |                  |                  |
| 27   | 690206002 | Filter plug ½”                         | 7                | 7                |
| 28   | 690201458 | Hydraulic hose 690 mm ½” st/st         | 1                | 1                |
| 29   | 690201448 | Hydraulic hose 1150 mm ½” st/45°       | 2                | 2                |
| 30   | 690203151 | Fitting ½”                             | 1                | 1                |
| 31   | 690201431 | Hydraulic hose 600 mm ½” st/st         | 1                | 1                |

**Notice:**

**Check number and measurements of all hoses before ordering the spare parts.**



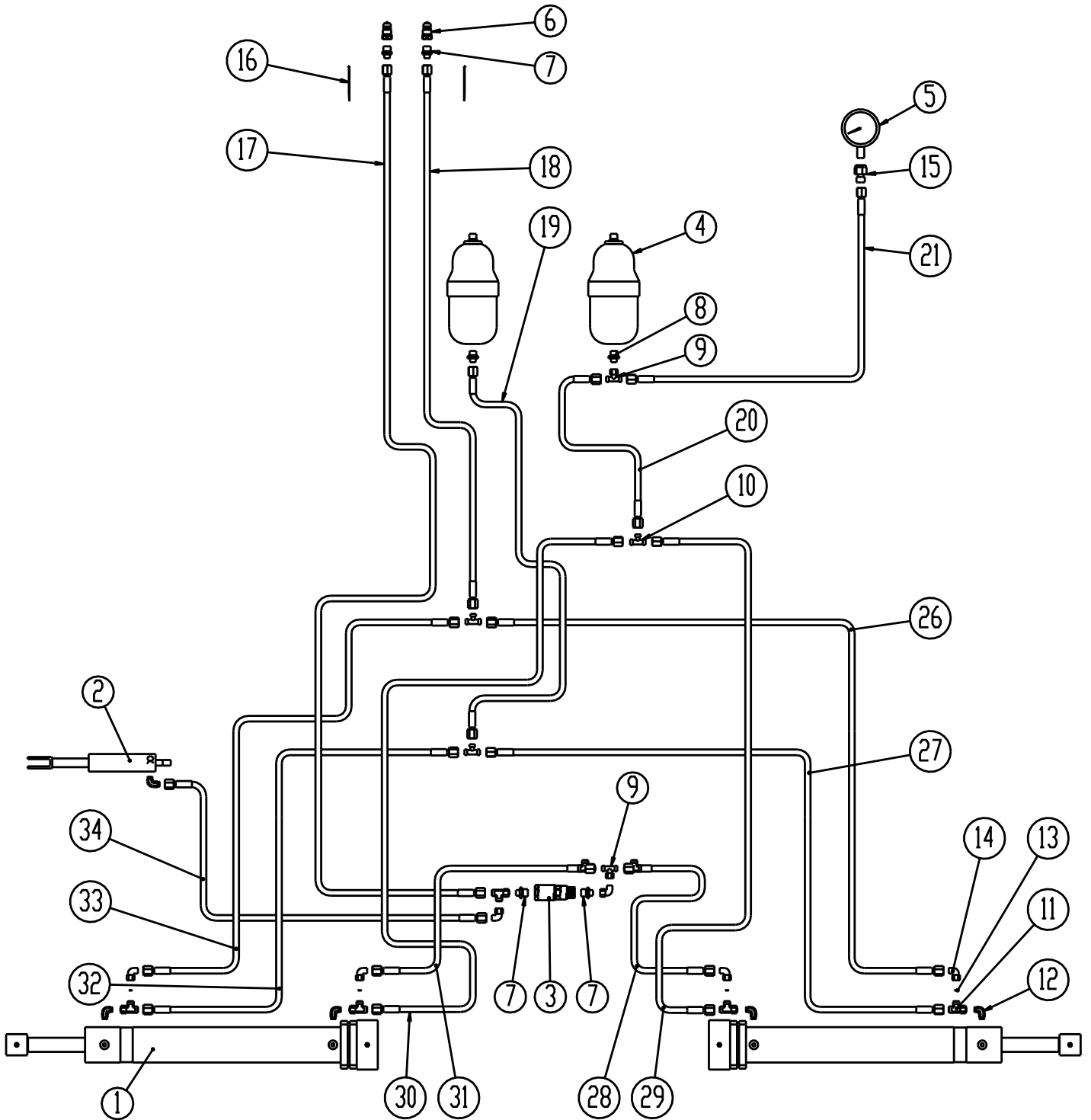


**Linkage**


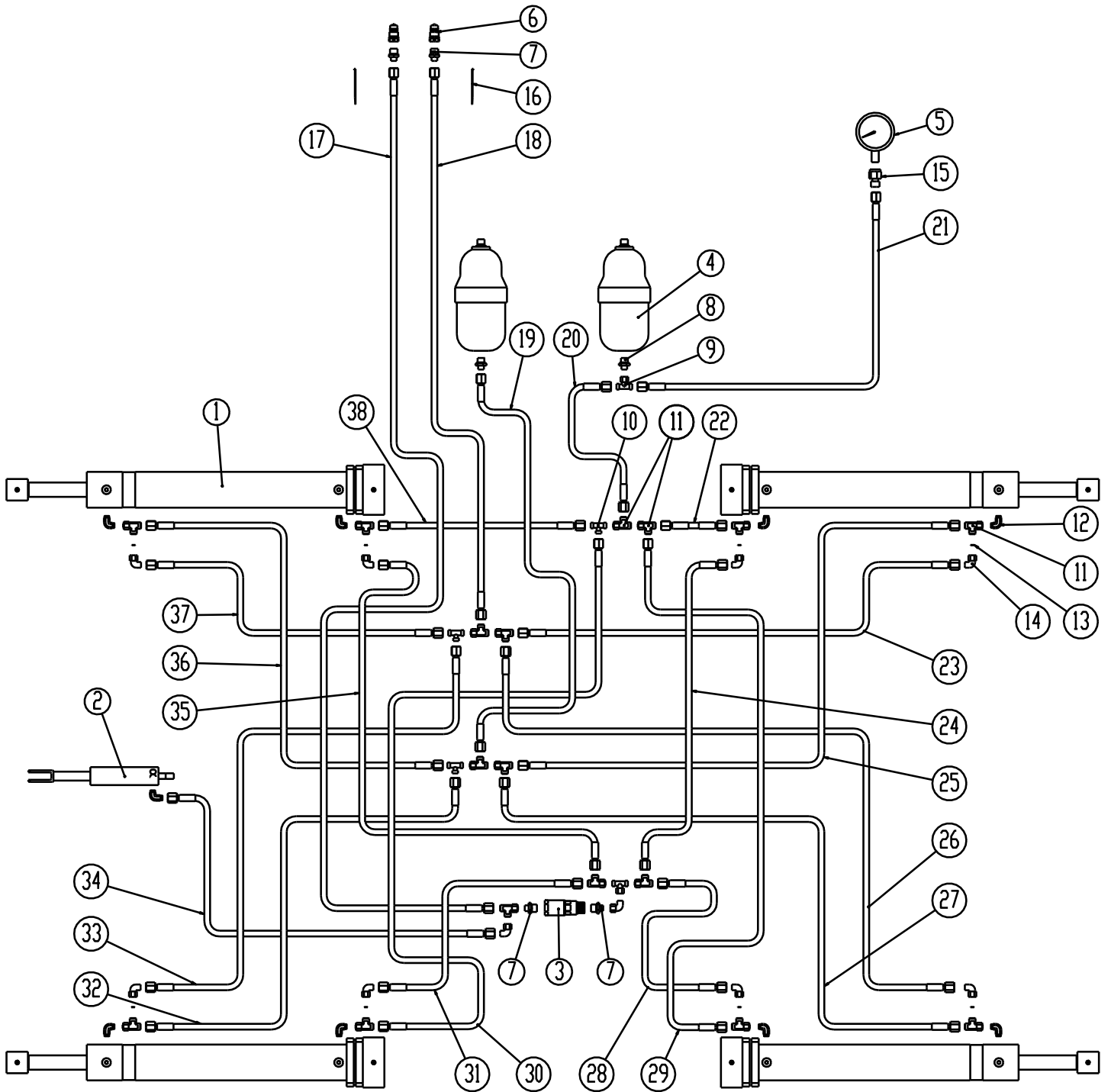
| Pos. | Item no.  | Designation                       | Pcs. |
|------|-----------|-----------------------------------|------|
| 1    | 690203001 | Quick coupling 1/2", male         | 2    |
| 2    | 690203103 | Fitting straight Ø12 x1/2" BSP    | 2    |
| 3    | 690203130 | Fitting 12 mm with O-ring         | 2    |
| 4    | 690202990 | Ball valve 3/8"                   | 2    |
| 5    | 690203002 | Fitting, straight 10-3/8" BSP     | 2    |
| 6    | 690201004 | Hydraulic hose 4950 mm 1/4" st/st | 2    |
| 7    | 690200200 | Cylinder 80x40x280 ø30/ø30        | 2    |
| 7a   | 690200143 | Pakningssæt 80/40 (Laizhou)       |      |
| 8    | 690203006 | Fitting 90angle 10-3/8" BSP       | 4    |
| 9    | 690201042 | Hydraulic hose 500 mm 1/4" st/st  | 4    |
| 10   | 690203015 | Fitting T10                       | 2    |



**Folding 4,5m**



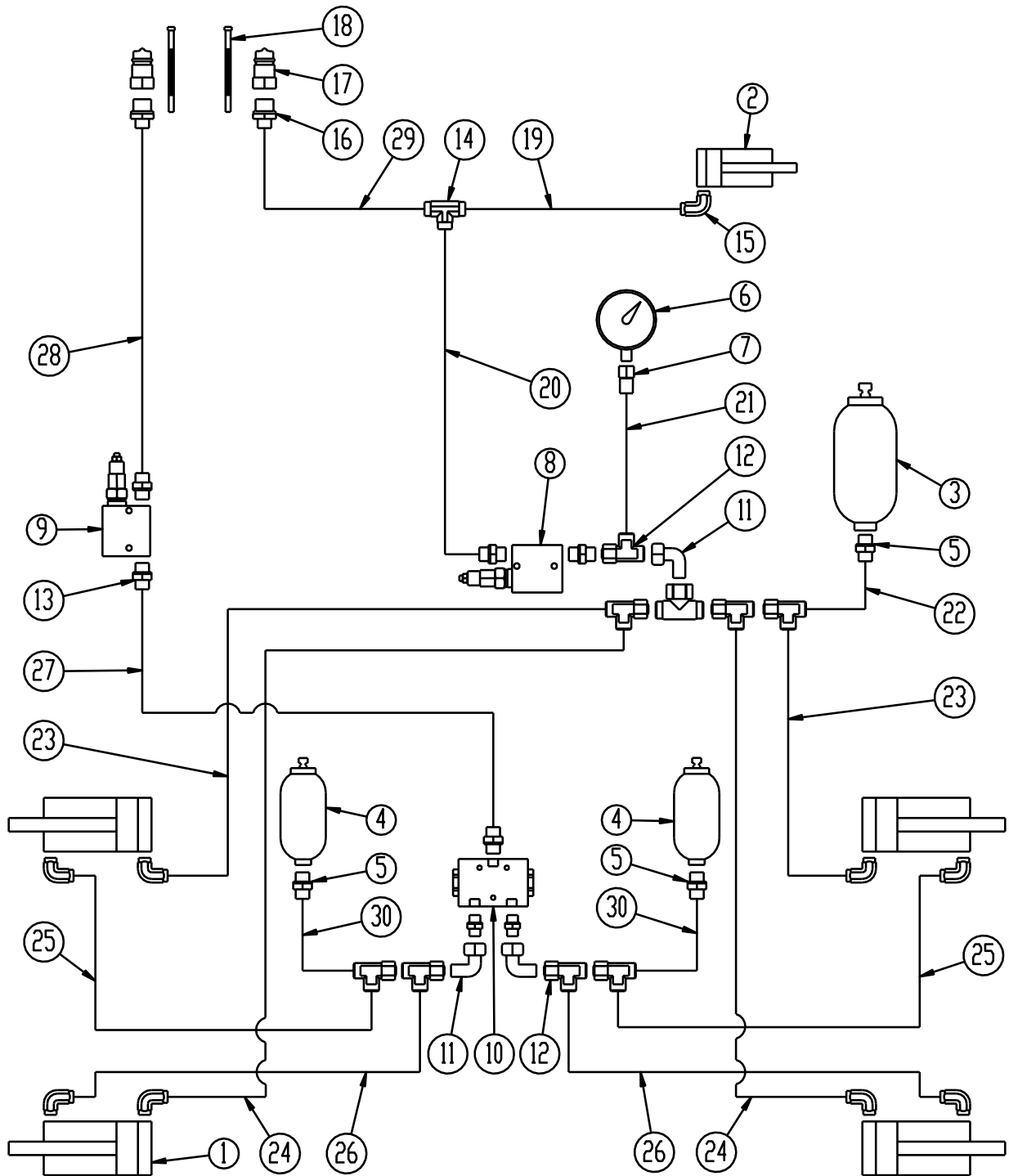
**Folding 5,5 m**



| Pos. | Item no.  | Designation                            | 4,5 m | 5,5 m |
|------|-----------|--|-------|-------|
| 1    | 690200252 | Cylinder 90/40 x 600 Ø40               | 2     | 4     |
| 1a   | 690200296 | Gasket set 90/40 (Hydraflex)           |       |       |
| 2    | 690200170 | Cylinder 40/25 x 80                    | 1     | 1     |
| 2a   | 690200175 | Gasket set 40/25 mm                    |       |       |
| 3    | 0442450   | Sequential valve 1/2"                  | 1     | 1     |
| 4    | 690206510 | Accumulator HST 2,3 L 40 bar           | 2     | 2     |
| 5    | 690206822 | Manometer 250 bar, Ø100                | 1     | 1     |
| 6    | 0444020   | Quick coupling 1/2", male              | 2     | 2     |
| 7    | 0446752   | Fitting straight Ø10 x 1/2"            | 4     | 4     |
| 8    | 690203096 | Fitting straight M18x1,5 x Ø10         | 2     | 2     |
| 9    | 690203014 | Fitting T10 L premounted w/ O-ring     | 2     | 2     |
| 10   | 690203015 | Fitting connector T10                  | 3     | 3     |
| 11   | 690203120 | Fitting T10 L premounted w/ O-ring     | 5     | 17    |
| 12   | 690203006 | Fitting, 90° angle 10 – 3/8" BSP       | 5     | 9     |
| 13   | 690207901 | Restrictor Ø1 mm                       | 4     | 8     |
| 14   | 690203016 | Fitting 90° 10 mm premounted w/ O-ring | 6     | 10    |
| 15   | 690206823 | Manometer fitting Ø10 x 1/2"           | 1     | 1     |
| 16   | -         | Cable straps (blue)                    | 2     | 2     |
| 17   | 690201026 | Hydraulic hose 1/4" L = 5350 mm        | 1     | 1     |
| 18   | 690201026 | Hydraulic hose 1/4" L = 5350 mm        | 1     | 1     |
| 19   | 0454171   | Hydraulic hose 1/4" L = 500 mm         | 1     | 1     |
| 20   | 0454171   | Hydraulic hose 1/4" L = 500 mm         | 1     | 1     |
| 21   | 690201053 | Hydraulic hose 1/4" L = 1260 mm        | 1     | 1     |
| 22   | 0454313   | Hydraulic hose 1/4" L = 1130 mm        | -     | 1     |
| 23   | 690201020 | Hydraulic hose 1/4" L = 1625 mm        | -     | 1     |
| 24   | 0454313   | Hydraulic hose 1/4" L = 1130 mm        | -     | 1     |
| 25   | 690201020 | Hydraulic hose 1/4" L = 1625 mm        | -     | 1     |
| 26   | 0454313   | Hydraulic hose 1/4" L = 1130 mm        | 1     | 1     |
| 27   | 0454313   | Hydraulic hose 1/4" L = 1130 mm        | 1     | 1     |
| 28   | 0454171   | Hydraulic hose 1/4" L = 500 mm         | 1     | 1     |
| 29   | 0454171   | Hydraulic hose 1/4" L = 500 mm         | 1     | 1     |
| 30   | 0454171   | Hydraulic hose 1/4" L = 500 mm         | 1     | 1     |
| 31   | 0454171   | Hydraulic hose 1/4" L = 500 mm         | 1     | 1     |
| 32   | 0454313   | Hydraulic hose 1/4" L = 1130 mm        | 1     | 1     |
| 33   | 0454313   | Hydraulic hose 1/4" L = 1130 mm        | 1     | 1     |
| 34   | 690201060 | Hydraulic hose 1/4" L = 3000 mm        | 1     | 1     |
| 35   | 0454313   | Hydraulic hose 1/4" L = 1130 mm        | -     | 1     |
| 36   | 690201020 | Hydraulic hose 1/4" L = 1625 mm        | -     | 1     |
| 37   | 690201020 | Hydraulic hose 1/4" L = 1625 mm        | -     | 1     |
| 38   | 0454313   | Hydraulic hose 1/4" L = 1130 mm        | -     | 1     |



**Folding 5,5 m from machine number 355570**



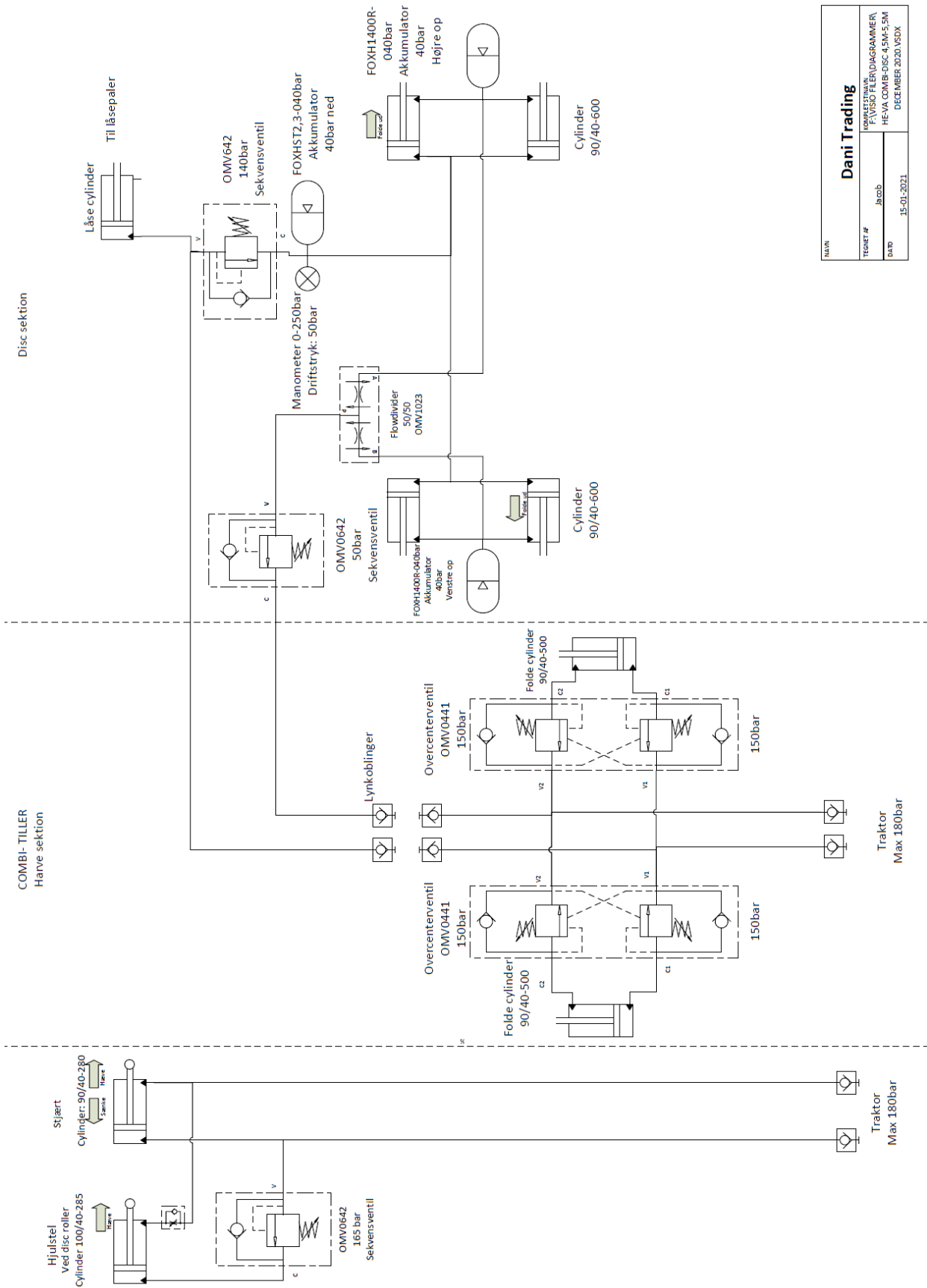
**Attention regarding pos. 8 & 9:** When ordering a sequence valve the predicted adjusted pressure must be enlightened:  
 Pos. 8 → 150 bar  
 Pos. 9 → 50 bar



| Pos. | Item no.  | Designation                                  | 4,5 m | 5,5 m |
|------|-----------|--|-------|-------|
| 1    | 690200252 | Cylinder 90/40 x 600 Ø40                     | 2     | 4     |
| 1a   | 690200296 | Gasket set 90/40 (Hydraflex)                 |       |       |
| 2    | 690200170 | Cylinder 40/25 x 80                          | 1     | 1     |
| 2a   | 690200175 | Gasket set 40/25 mm                          |       |       |
| 3    | 690206510 | Accumulator HST 2,3 L 40 bar                 | 1     | 1     |
| 4    | 690206410 | Accumulator HST 1,4 L 40 bar                 | 2     | 2     |
| 5    | 690203096 | Fitting straight M18x1,5 x Ø10               | 3     | 3     |
| 6    | 690206822 | Manometer 250 bar, Ø100                      | 1     | 1     |
| 7    | 690206823 | Manometer-fitting Ø10 - ½"                   | 1     | 1     |
| 8    | 0442642   | Sequense valve OMV642 <b>Set to 150 bar</b>  | 1     | 1     |
| 9    | 0442642   | Sequense valve OMV642 <b>Set to 50 bar</b>   | 1     | 1     |
| 10   | 0442775   | Flow divider 3/8" 50/50 10-20 l/min          | 1     | 1     |
| 11   | 690203016 | Fitting 90° adjustable 10 mm                 | 3     | 3     |
| 12   | 690203120 | Fitting adjustable T10 L premounted w/O-ring | 8     | 8     |
| 13   | 0446751   | Fitting straight Ø10 - 3/8"                  | 7     | 7     |
| 14   | 690203015 | Fitting connector T10                        | 1     | 1     |
| 15   | 690203006 | Fitting 90° 10 – 3/8" BSP                    | 9     | 9     |
| 16   | 690203003 | Fitting straight 10- ½" BSP                  | 2     | 2     |
| 17   | 690203001 | Quickkobling male E402 ½"                    | 2     | 2     |
| 18   |           | Straps                                       | 2     | 2     |
| 19   | 0454313   | Hydraulic hose 1130 mm 1/4" st/st            | 1     | 1     |
| 20   | 0454313   | Hydraulic hose 1130 mm 1/4" st/st            | 1     | 1     |
| 21   | 0454313   | Hydraulic hose 1130 mm 1/4" st/st            | 1     | 1     |
| 22   | 0454313   | Hydraulic hose 1130 mm 1/4" st/st            | 1     | 1     |
| 23   | 690201047 | Hydraulic hose 4610 mm 1/4" st/st            | 2     | 2     |
| 24   | 690201053 | Hydraulic hose 1260 mm 1/4" st/st            | 2     | 2     |
| 25   | 690201063 | Hydraulic hose 1600 mm 1/4" st/st            | 2     | 2     |
| 26   | 690201016 | Hydraulic hose 1850 mm 1/4" st/st            | 2     | 2     |
| 27   | 690201060 | Hydraulic hose 3000 mm 1/4" st/st            | 1     | 1     |
| 28   | 690201022 | Hydraulic hose 3140 mm 1/4" st/st            | 1     | 1     |
| 29   | 690201009 | Hydraulic hose 355 mm 1/4" st/st             | 1     | 1     |
| 30   | 690201069 | Hydraulic hose 450 mm 1/4" st/st             | 1     | 1     |



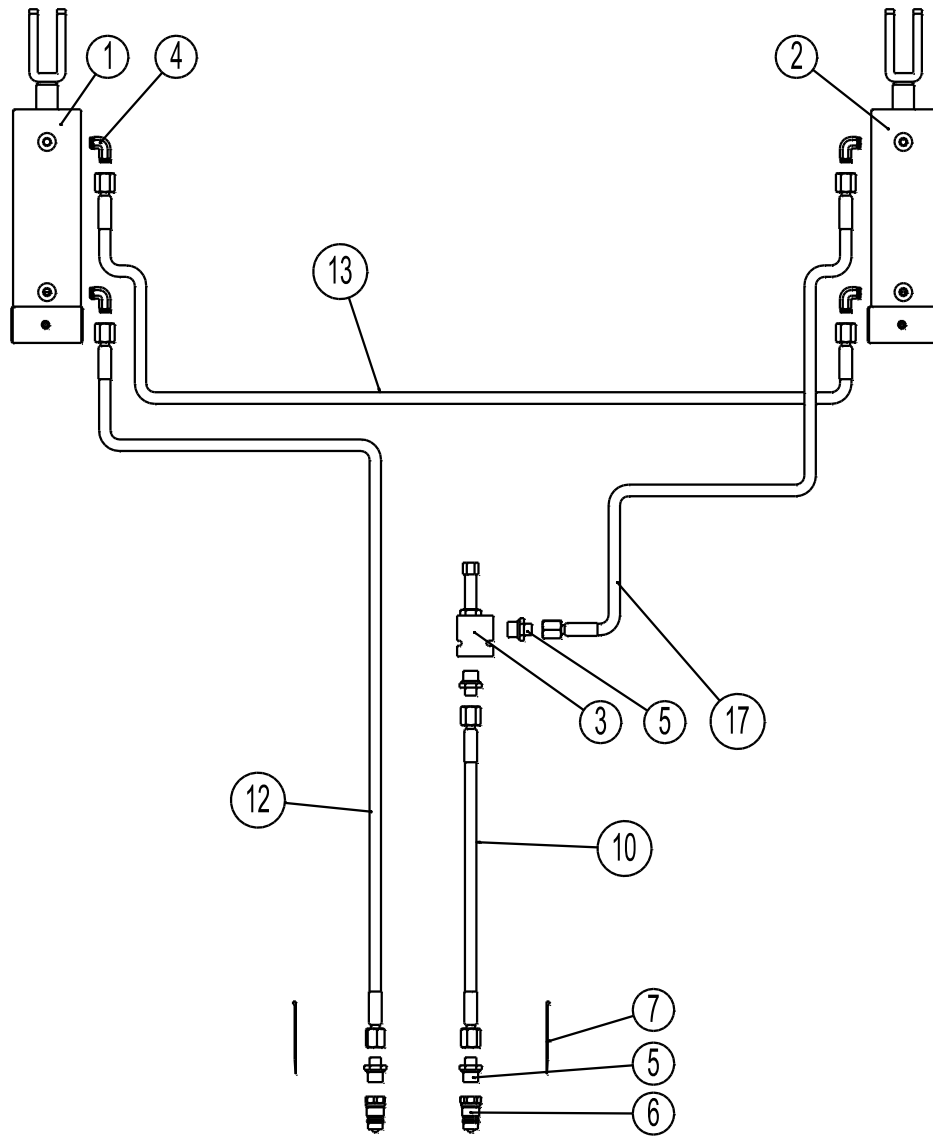
**Complete hydraulic diagram folding**



|  |            |
|--|------------|
| <b>Dani Trading</b>  |            |
| TEGNET #   | 11000      |
| DATE   | 15-01-2021 |
| HE-VA DISC PART 2 DIAGRAM HE-VA COMBI-DISC 4.5M-5.5M<br>DECEMBER 2020 VSDX |            |

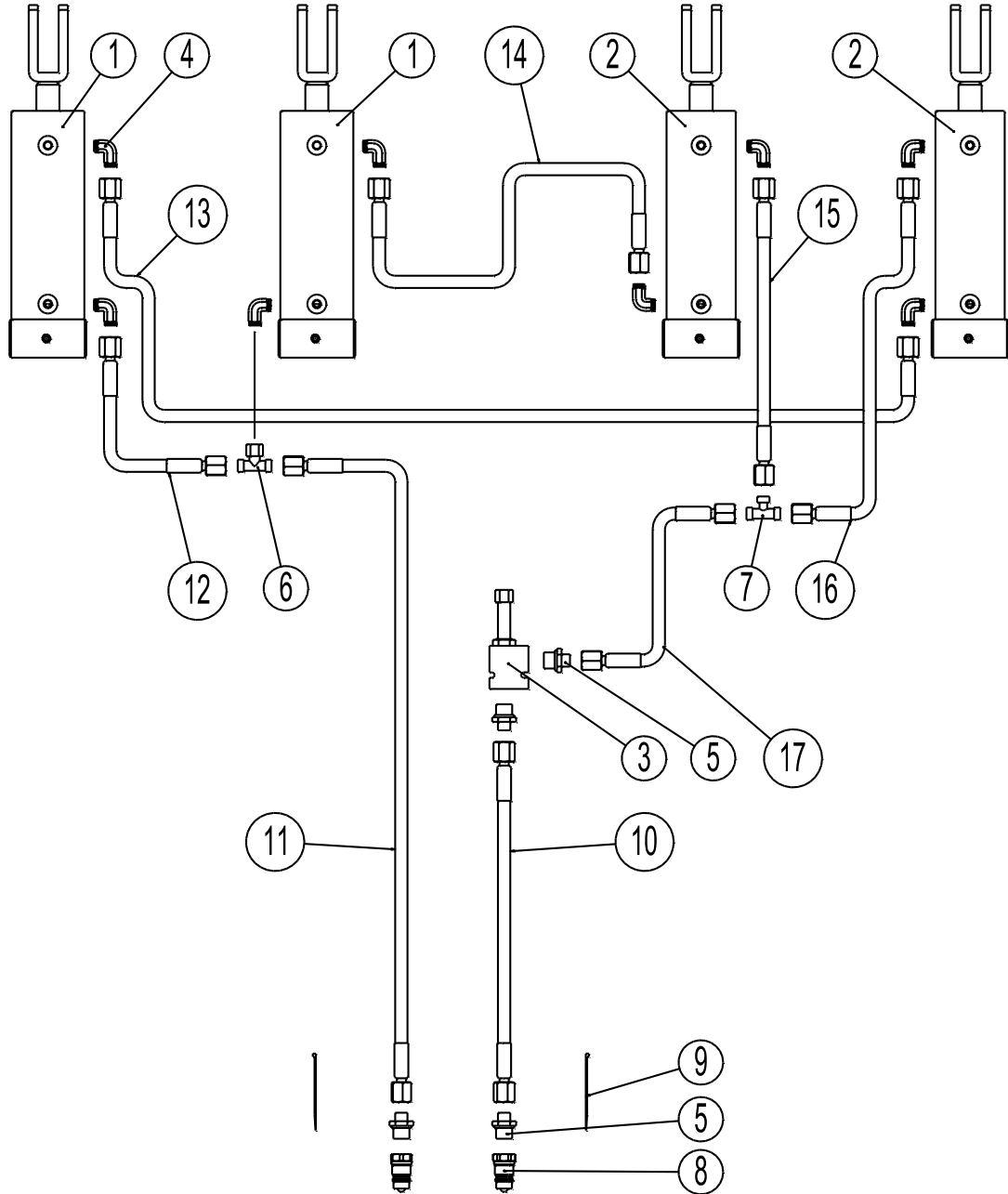


**Depth controller discs 4,5 meter**





### Depth controller discs 5,5 meter



| Pos. | Item no.  | Designation                                       | 4,5 m | 5,5 m |
|------|-----------|---|-------|-------|
| 1    | 690200640 | Cylinder 85/30 x 155 Ø30 rod end-clevis           | 1     | 2     |
| 1a   | 690200641 | Gasket set 85/30                                  |       |       |
| 2    | 690200620 | Cylinder 80/30 x 155 Ø30 rod end-clevis           | 1     | 2     |
| 1a   | 690200621 | Gasket set 80/30                                  |       |       |
| 3    | 690209453 | Depth stop valve, electric w/3 x Ø1/2" inside.    | 1     | 1     |
| 4    | 690203006 | Fitting 90° 10-3/8" BSP                           | 4     | 8     |
| 5    | 0446752   | Fitting straight Ø10-1/2"                         | 4     | 4     |
| 6    | 690203014 | Fitting T10 L premounted w/ O-ring                | -     | 1     |
| 7    | 690203015 | Fitting T10                                       | -     | 1     |
| 8    | 0444020   | Quickcoupling 1/2" male                           | 2     | 2     |
| 9    | -         | Cable straps                                      | 2     | 2     |
| 10   | 690201028 | Hydraulic hose 1/4" L = 6700 mm (non depth stop)  | 1     | -     |
| 10   | 690201074 | Hydraulic hose 1/4" L = 4950 mm (with depth stop) | 1     | -     |
| 10   | 690201076 | Hydraulic hose 1/4" L = 6000 mm (non depth stop)  | -     | 1     |
| 10   | 690201074 | Hydraulic hose 1/4" L = 4950 mm (with depth stop) | -     | 1     |
| 11   | 690201076 | Hydraulic hose 1/4" L = 6000 mm                   | -     | 1     |
| 12   | 690201073 | Hydraulic hose 1/4" L = 6700 mm                   | 1     | -     |
| 12   | 690201044 | Hydraulic hose 1/4" L = 1260 mm                   | -     | 1     |
| 12   | 690201038 | Hydraulic hose 1/4" L = 1770 mm                   | -     | -     |
| 13   | 690201038 | Hydraulic hose 1/4" L = 4000 mm                   | 1     | -     |
| 13   | 690201011 | Hydraulic hose 1/4" L = 5350 mm                   | -     | 1     |
| 13   | 690201031 | Hydraulic hose 1/4" L = 6350 mm                   | -     | 1     |
| 14   | 690201070 | Hydraulic hose 1/4" L = 2800 mm                   | -     | 1     |
| 15   | 0454120   | Hydraulic hose 1/4" L = 250 mm                    | -     | 1     |
| 16   | 0554441   | Hydraulic hose 1/4" L = 1460 mm                   | -     | 1     |
| 16   | 0454591   | Hydraulic hose 1/4" L = 2000 mm                   | -     | -     |
| 17   | 0454313   | Hydraulic hose 1/4" L = 1130 mm (non depth stop)  | -     | 1     |
| 17   | 0454578   | Hydraulic hose 1/4" L = 1995 mm (with depth stop) | 1     | -     |





GOOD AS IT LOOKS!

AS GOOD AS IT LOOKS!

AS GOOD AS IT LOOKS!

AS GOOD AS IT LOOKS!

AS GOOD AS



The design is subject to modification without noticefmo